



# DALS LIGHTING

Canada  
80, de la Seigneurie blvd., E.  
Blainville, Quebec J7C 4N1

U.S.A.  
4383, NW 124th Ave.,  
Coral Springs, Florida 33065

877.430.1818  
info@dals.com  
dals.com

**MODEL** DRR6-CC

**NAME** Notch

6" 5CCT 1" deep regressed panel

The Notch series of regressed downlights is characterized by a deep-set LED position which greatly reduces glare, neatly packaged in a price-conscious solution to general lighting.

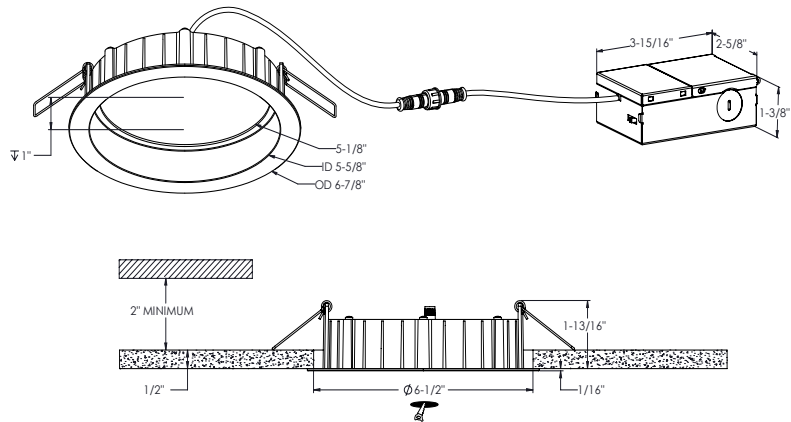
**PROJECT**

**TYPE**

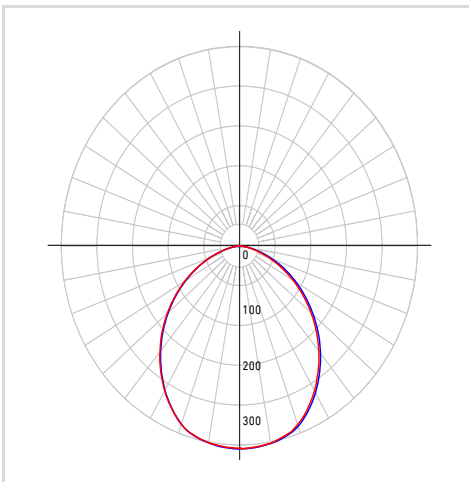
**DATE**

**QTY**

**NOTES**



## LIGHT DISTRIBUTION



\*Lumen output measured at 3000k

## QUICK SPECS

<b>Size</b>	4"
<b>Watts (W)</b>	14W
<b>Delivered lumens*</b>	1000
<b>CRI</b>	90
<b>Voltage (v)</b>	120
<b>Beam angle (deg)</b>	102°
<b>Cut hole size (in)</b>	6-1/2"
<b>Lifespan (hrs)</b>	50000
<b>FT rating</b>	FT6
<b>Binning</b>	3,6
<b>LED model</b>	SMD 2835
<b>Color temperature</b>	2700K/3000K/3500K/4000K/5000K

## ELECTRICAL DETAILS

<b>Environment</b>	Wet
<b>Location</b>	Indoor/Outdoor
<b>Operating temp. (° C)</b>	-20 to 40
<b>IP rating</b>	IP44
<b>Input voltage (V)</b>	108-135v
<b>Output voltage (V)</b>	35
<b>Output current (mA)</b>	327
<b>Power factor (%)</b>	98
<b>Driver type</b>	Constant current
<b>THD</b>	<30%
<b>Certifications</b>	ETL, FCC, ICES, ES, IC, ASTM E283-04, T24/JA8

## ORDERING GUIDE

DRR6-CC	-	Voltage	-	Finish
		<b>BLANK</b> - 120v Triac dimming		<b>WH</b> - White
		<b>V</b> - 120-277-347V 0-10v dimming		

## CONSTRUCTION

<b>Lens material</b>	Acrylic
<b>Optic type</b>	Frosted
<b>Finish type</b>	Matte
<b>Housing material</b>	Aluminum

WHAT'S IN THE BOX	ACCESSORIES	ADAPTORS
LED recessed fixture	<a href="#">RFP-46</a>	<a href="#">REC-CC-EXT8FT</a>
Junction box	Drilling plate	96" extension cord for recessed fixtures
3x Push-in wire connectors	<a href="#">RFP-UNI</a>	<a href="#">REC-CC-EXT20FT</a>
Mounting hardware	Universal drilling plate	240" extension cord for recessed fixtures
Instruction sheet	<a href="#">DRR6-TRIM-BK</a>	
	<a href="#">DRR6-TRIM-SBA</a>	

#### RECOMMENDED DIMMER LIST\*

BRAND	MODEL	DIMMER SPECS	GRADE	MIN	MAX	MAX LOAD
Dals	SM-DIMSW Smart Dimmer*	Triac, 250W LED/CFL	Compatible	8	99	18
Lutron	DVCL-153PR-WH-C*	Triac, 150 W Dimmable CFL/LED	Compatible	8	99	11
Lutron	CTCL-153PDH-WH-C*	Triac, 150 W Dimmable CFL/LED	Compatible	7	99	11
Lutron	STCL-153PH-WH-C*	Triac, 150 W Dimmable CFL/LED	Compatible	1	99	11
Lutron	MACL-153MRHW-WHC*	Triac, 150 W Dimmable CFL/LED	Compatible	0	99	11
Lutron	DVELV-300P-WH	300W electronic low voltage dimmer	Compatible	8	98	21
Lutron	MA-PRO-WH*	ELV, 250W LED/CFL	Compatible	0	99	18
Lutron	Caseta PD-6WCL-WH-R-C*	Triac, 300W Dimmable CFL/LED	Compatible	0	99	11
Lutron	Caseta PD-5NE-WH-C*	ELV, LED—up to 250 W	Compatible	4	98	18
Lutron	Caseta PD-10NXD-WH*	Triac, LED—up to 250 W	Compatible	1	98	18
Leviton	DSM10-1LZ*	Triac, 450W Dimmable CFL/LED	Compatible	2	98	32
Leviton	6674*	Triac, 150 W Dimmable CFL/LED	Compatible	11	99	11
Leviton	PL06-10Z*	Triac, 150 W Dimmable CFL/LED	Compatible	10	99	11
Leviton	DSL06-1LZ*	Triac, 150 W Dimmable CFL/LED	Compatible	9	98	11
Leviton	D26HD-742-1RW*	Triac, 300W LED/CFL	Compatible	11	98	21
Legrand	RHL373PW*	Triac, 250W LED	Compatible	3	98	18
Control 4	C4-APD120-WH	ELV, 120W LED	Compatible	2	99	9
Control 4	C4-FPD120-WH	Triac, 200W LED	Compatible	1	98	14
TP-Link	HS220*	Triac, 150 W, Dimmable LED (MLV)	Compatible	3	99	11

\*With Low-End Adjustment Feature

Minimal buzzing noise may occur with some dimmers

#### WARRANTY

DALS offers a 5-year warranty from the date of purchase which covers repairs or replacement of defective parts of the housing, optics, and electronics. To contact DALS customer service call 1-877-430-1818 or send an e-mail to [info@dals.com](mailto:info@dals.com).