

MODEL NAME **5003-CC**
EXCEL
3-Inch Round Recessed Panel Light

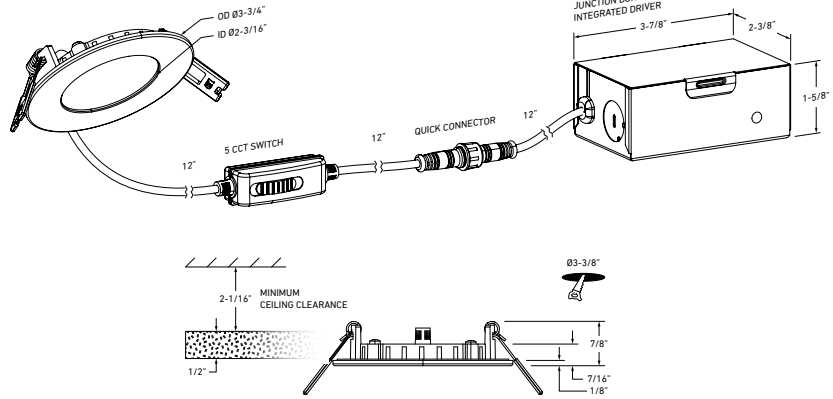
Our new LED Panel lights are more accessible than ever before. The sleek and minimal construction allows for the easiest of installations.



PROJECT: _____ **TYPE:** _____

DATE: _____ **QTY:** _____

NOTES:

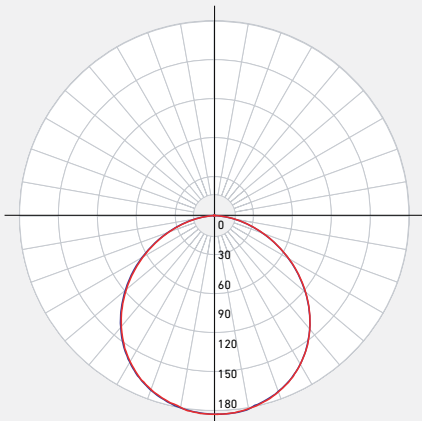


QUICK SPECS

SIZE	WATTS	DELIVERED LUMENS*	COLOR °T 5CCT	CRI	VOLTAGE	BEAM ANGLE	FINISH
3"	8W	560lm	2700K 3000K 3500K 4000K 5000K	80	120V	110°	○ White

*Lumen output measured at 3000K

LIGHT DISTRIBUTION



CONSTRUCTION	Lens Frosted	Type of optics Flat lens	Type of LED Edge-lit SMD
	Lens material Acrylic	Housing material Cast aluminum	Cut hole size 3-3/8"

RATINGS	Placement Indoor/Outdoor	Lifespan 35,000 hrs.	FT rating FT4
	Location Wet	Certifications ETL, FCC, ICES, ES IC, ASTM E283-04, T24	Operating temperature -20° to 40° C

WHAT'S IN THE BOX

- LED recessed fixture
- Junction box
- Push-in wire connectors
- Mounting hardware
- Instruction sheet

COMPATIBLE ACCESSORIES

RFP-UNI
Universal Drilling Plate For 2", 3", 4" and 6" fixtures

RFP-23
Drilling plate for 2" and 3" fixtures

COMPATIBLE ADAPTERS

REC-EXT108
108" extension cord for recessed fixtures

REC-EXT230
230" extension cord for recessed fixtures



ELECTRICAL DETAILS	Input voltage 108-132V	Output current 220mA	Power factor 96%	Driver type Constant current
	Output voltage 27-42V	LED model # 2835	THD harmonic distortion <30%	Binning type 3 SDCM

FEATURES	Every fixture includes a junction box with an integrated driver	Superior LED performance and lifespan	Minimal heat emission	Very low profile
	Can be daisy chained	Smooth 360° wide spread	Frosted lens Edge lit technology	Switch-selectable CCT: 2700K/ 3000 K/ 3500 K/ 4000 K/ 5000 K

WARRANTY DALs offers a 5-year warranty from the date of purchase which covers repairs or replacement of defective parts of the housing, optics, and electronics. To contact DALs customer service call 1-877-430-1818 or send an e-mail to info@dals.com.

RECOMMENDED DIMMER LIST*

BRAND	MODEL #	DIMMER SPECS	GRADE	DIMMING RANGE (%)	MAX LOAD
Dals	SM-DIMSW Smart Dimmer	Triac, 250W LED/CFL	Compatible	Min: 10 / Max: 100	31
Lutron	DVCL-153PR-WH-C	Triac, 150 W Dimmable CFL/LED	Compatible	Min: 10 / Max: 100	18
Lutron	CTCL-153PDH-WH-C	Triac, 150 W Dimmable CFL/LED	Compatible	Min: 10 / Max: 100	18
Lutron	STCL-153PH-WH-C	Triac, 150 W Dimmable CFL/LED	Compatible	Min: 4 / Max: 100	18
Lutron	DVWCL-153PH-WHC	Triac, 150 W Dimmable CFL/LED	Compatible	Min: 10 / Max: 100	18
Lutron	MACL-153MRHW-WHC	Triac, 150 W Dimmable CFL/LED	Compatible	Min: 2 / Max: 100	18
Lutron	DVELV-300P-WH	300W electronic low voltage dimmer	Compatible	Min: 13 / Max: 100	37
Lutron	MA-PRO-WH	ELV, 250W LED/CFL	Compatible	Min: 4 / Max: 100	31
Lutron	Caseta PD-6WCL-WH-R-C	Triac, 300W Dimmable CFL/LED	Compatible	Min: 7 / Max: 100	37
Lutron	Caseta PD-5NE-WH-C	ELV, LED—up to 250 W	Compatible	Min: 6 / Max: 100	31
Lutron	Caseta PD-10NXD-WH	Triac, LED—up to 250 W	Compatible	Min: 3 / Max: 100	31
Leviton	6672-1LW	Triac, 150W Dimmable CFL/LED	Compatible	Min: 34 / Max: 100	18
Leviton	DSM10	Triac, 450W Dimmable CFL/LED	Compatible	Min: 29 / Max: 100	56
Leviton	6674	Triac, 150 W Dimmable CFL/LED	Compatible	Min: 14 / Max: 100	18
Leviton	PL06-10Z	Triac, 150 W Dimmable CFL/LED	Compatible	Min: 22 / Max: 100	18
Leviton	DSL06-752	Triac, 150 W Dimmable CFL/LED	Compatible	Min: 22 / Max: 100	18
Leviton	D26HD-742-1RW	Triac, 300W LED/CFL	Compatible	Min: 15 / Max: 100	37
Legrand	RHCL453PNICCV4	Triac, 450W Dimmable CFL/LED	Compatible	Min: 16 / Max: 100	56
Legrand	ADTP703TUM4	Triac,450W Dimmable CFL/LED	Compatible	Min: 17 / Max: 100	56
Legrand	ADPD453LM2	Triac,450W Dimmable CFL/LED	Compatible	Min: 47 / Max: 100	56
Legrand	RHL373PW	Triac, 250W LED	Compatible	Min: 13 / Max: 100	31
Control 4	C4-APD120-WH	ELV, 120W LED	Compatible	Min: 0 / Max: 100	15

* Minimal buzzing noise may occur with some dimmers