

**MODEL** MSL10-CC

**NAME** Pinpoint

10 Light Microspot Recessed downlight CC

Providing contemporary and functional style to any space, the MSL Recessed Series with its glossy piano-black reflector is available in various styles and features.

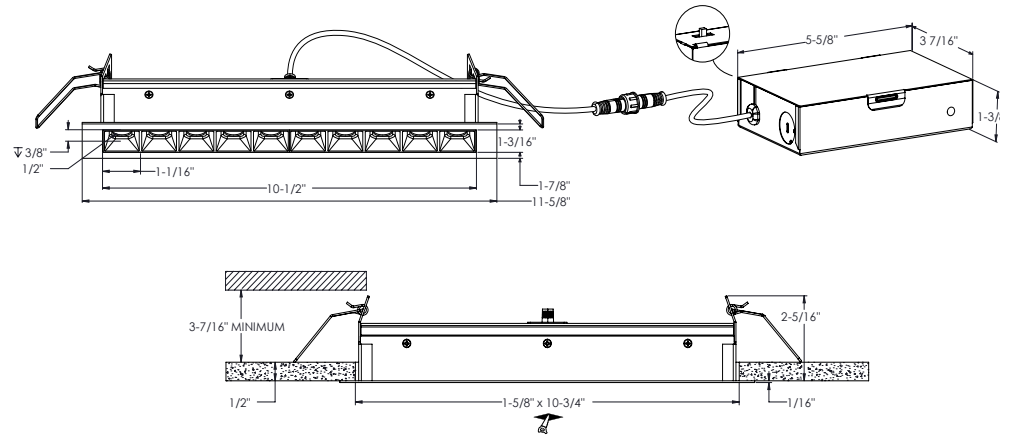
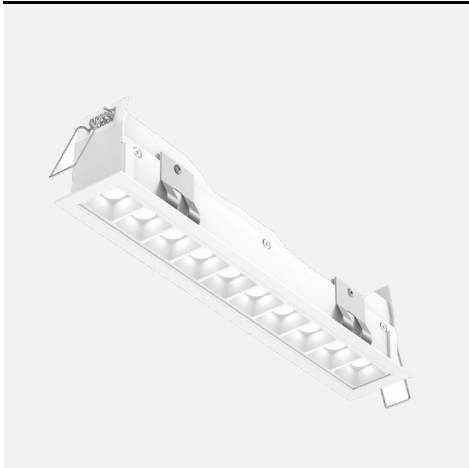
**PROJECT**

**TYPE**

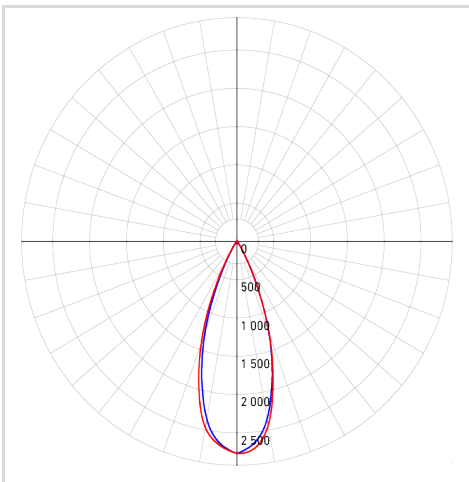
**DATE**

**QTY**

**NOTES**



**LIGHT DISTRIBUTION**



\*Lumen output measured at 3000k

**QUICK SPECS**

<b>Size</b>	13"
<b>Watts (W)</b>	24
<b>Delivered lumens*</b>	1300
<b>CRI</b>	90
<b>Voltage (v)</b>	120
<b>Beam angle (deg)</b>	30
<b>Cut hole size (in)</b>	10-3/4 x 1-5/8
<b>Lifespan (hrs)</b>	50000
<b>FT rating</b>	FT6
<b>Binning</b>	3 SDCM
<b>LED model</b>	SMD 3535
<b>Color temperature</b>	2700K/3000K/3500K/4000K/5000K

**ELECTRICAL DETAILS**

<b>Environment</b>	Dry
<b>Location</b>	Indoor
<b>Operating temp. (° C)</b>	-20 to 40
<b>IP rating</b>	IP44
<b>Input voltage (V)</b>	108-135V
<b>Output voltage (V)</b>	29
<b>Output current (mA)</b>	667
<b>Power factor (%)</b>	99
<b>Driver type</b>	Constant current
<b>THD</b>	<30%
<b>Certifications</b>	ETL, FCC, ICES,

**ORDERING GUIDE**

MSL10-CC	-		-	
		Voltage		Finish
		<b>BLANK</b> - 120v Triac dimming		<b>WH</b> - White ○
		<b>V</b> - 120-277-347V 0-10v dimming		<b>BK</b> - Black ●

**CONSTRUCTION**

<b>Lens material</b>	PC
<b>Optic type</b>	Clear lens
<b>Finish type</b>	Sandy
<b>Housing material</b>	Aluminum

WHAT'S IN THE BOX	ACCESSORIES	ADAPTORS
<ul style="list-style-type: none"> <li>LED recessed fixture</li> <li>Junction box</li> <li>3x Push-in wire connectors</li> <li>Mounting hardware</li> <li>Instruction sheet</li> </ul>	<p><a href="#">RFP-MSL10</a></p> <ul style="list-style-type: none"> <li>Drilling plate</li> </ul>	<p><a href="#">REC-CC-EXT8FT</a></p> <ul style="list-style-type: none"> <li>96" extension cord for recessed fixtures</li> </ul> <p><a href="#">REC-CC-EXT20FT</a></p> <ul style="list-style-type: none"> <li>240" extension cord for recessed fixtures</li> </ul>

**RECOMMENDED DIMMER LIST\***

BRAND	MODEL	DIMMER SPECS	GRADE	MIN	MAX	MAX LOAD
Lutron	DVCL-153PR-WH-C*	Triac, 150 W Dimmable CFL/LED	Compatible	6	93	6
Lutron	CTCL-153PDH-WH-C*	Triac, 150 W Dimmable CFL/LED	Compatible	6	93	6
Lutron	STCL-153PH-WH-C*	Triac, 150 W Dimmable CFL/LED	Compatible	2	91	6
Lutron	MACL-153MRHW-WHC*	Triac, 150 W Dimmable CFL/LED	Compatible	1	90	6
Lutron	MA-PRO-WH*	ELV, 250W LED/CFL	Compatible	2	89	10
Leviton	DSM10-1LZ*	Triac, 450W Dimmable CFL/LED	Compatible	3	92	19
Leviton	D26HD-742-1RW*	Triac, 300W LED/CFL	Compatible	8	96	13
Legrand	RHCL453PNICCV4*	Triac, 450W Dimmable CFL/LED	Compatible	8	91	19
Control 4	C4-APD120-WH	ELV, 120W LED	Compatible	0	96	5
Control 4	C4-FPD120-WH	Triac, 200W LED	Compatible	0	96	8
Commercial Electric	HPDA311CWB*	Triac, 150W LED & CFL	Compatible	0	97	6
TP-Link	HS220*	Triac, 150 W, Dimmable LED (MLV)	Compatible	4	96	6

\*With Low-End Adjustment Feature

Minimal buzzing noise may occur with some dimmers

**WARRANTY**

DALS offers a 5-year warranty from the date of purchase which covers repairs or replacement of defective parts of the housing, optics, and electronics. To contact DAL'S customer service call 1-877-430-1818 or send an e-mail to info@dals.com.