



DALS LIGHTING

Canada
80, de la Seigneurie blvd., E.
Blainville, Quebec j7C 4N1

U.S.A.
4383, NW 124th Ave.,
Coral Springs, Florida 33065

877.430.1818
info@dals.com
dals.com

MODEL MSL1-CC

NAME Pinpoint

1 Light Single Microspot LED Recessed do

Providing contemporary and functional style to any space, the MSL Recessed Series with its glossy piano-black reflector is available in various styles and features.

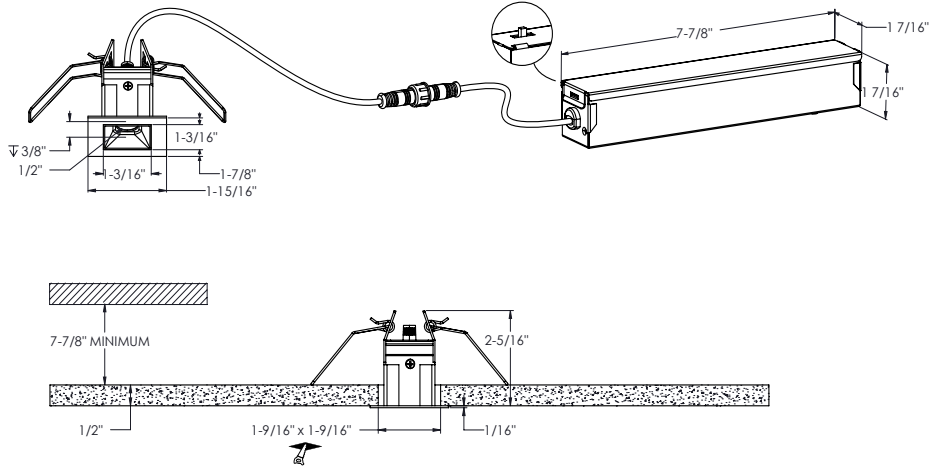
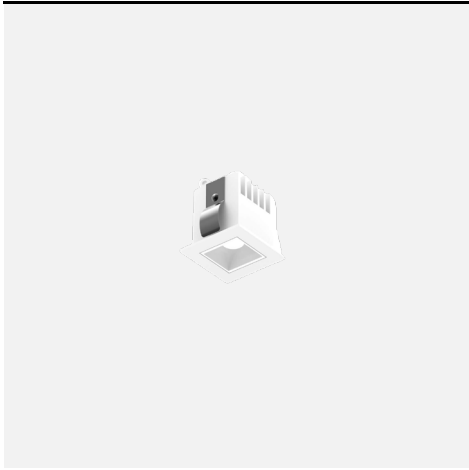
PROJECT

TYPE

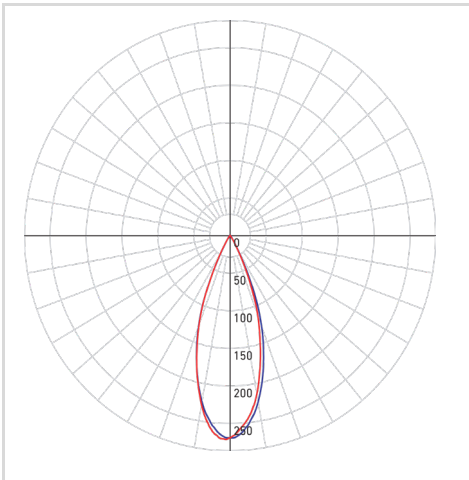
DATE

QTY

NOTES



LIGHT DISTRIBUTION



*Lumen output measured at 3000k

QUICK SPECS

Size	2"
Watts (W)	3
Delivered lumens*	120
CRI	90
Voltage (v)	120
Beam angle (deg)	30
Cut hole size (in)	1-9/16 x 1-9/16
Lifespan (hrs)	50000
FT rating	FT6
Binning	3 SDCM
LED model	SMD 3535
Color temperature	2700K/3000K/3500K/4000K/5000K

ELECTRICAL DETAILS

Environment	Dry
Location	Indoor
Operating temp. (° C)	-20 to 40
IP rating	IP44
Input voltage (V)	108-135V
Output voltage (V)	5,6
Output current (mA)	246
Power factor (%)	99
Driver type	Constant current
THD	<30%
Certifications	ETL, FCC, ICES, IC

ORDERING GUIDE

MSL1-CC	-	Blank	-	Blank
		120v		White
		Triac dimming		Black

CONSTRUCTION

Lens material	PC
Optic type	Clear lens
Finish type	Sandy
Housing material	Aluminum

WHAT'S IN THE BOX	ACCESSORIES	ADAPTORS
<ul style="list-style-type: none"> LED recessed fixture Junction box 3x Push-in wire connectors Mounting hardware Instruction sheet 	<ul style="list-style-type: none"> RFP-MSL1 Drilling plate 	<ul style="list-style-type: none"> REC-CC-EXT8FT 96" extension cord for recessed fixtures REC-CC-EXT20FT 240" extension cord for recessed fixtures

RECOMMENDED DIMMER LIST*

BRAND	MODEL	DIMMER SPECS	GRADE	MIN	MAX	MAX LOAD
Dals	SM-DIMSW Smart Dimmer*	Triac, 250W LED/CFL	Compatible	1	100	83
Lutron	DVCL-153PR-WH-C*	Triac, 150 W Dimmable CFL/LED	Compatible	1	98	50
Lutron	CTCL-153PDH-WH-C*	Triac, 150 W Dimmable CFL/LED	Compatible	1	97	50
Lutron	STCL-153PH-WH-C*	Triac, 150 W Dimmable CFL/LED	Compatible	0	93	50
Lutron	DVLV-600P-BL	Magnetic Low Voltage, 450W	Compatible	2	93	150
Lutron	MACL-153MRHW-WHC*	Triac, 150 W Dimmable CFL/LED	Compatible	0	92	50
Lutron	DVELV-300P-WH	300W electronic low voltage dimmer	Compatible	4	97	100
Lutron	MA-PRO-WH*	ELV, 250W LED/CFL	Compatible	3	97	83
Lutron	Caseta PD-6WCL-WH-R-C*	Triac, 300W Dimmable CFL/LED	Compatible	2	93	50
Lutron	Caseta PD-5NE-WH-C*	ELV, LED—up to 250 W	Compatible	0	98	83
Lutron	Caseta PD-10NXD-WH*	Triac, LED—up to 250 W	Compatible	0	94	83
Leviton	DSM10-1LZ*	Triac, 450W Dimmable CFL/LED	Compatible	0	94	150
Leviton	6674*	Triac, 150 W Dimmable CFL/LED	Compatible	11	98	50
Leviton	PL06-10Z*	Triac, 150 W Dimmable CFL/LED	Compatible	7	98	50
Leviton	DSL06-1LZ*	Triac, 150 W Dimmable CFL/LED	Compatible	6	98	50
Leviton	D26HD-742-1RW*	Triac, 300W LED/CFL	Compatible	4	99	100
Legrand	ADTP703TUM4*	Triac, 450W Dimmable CFL/LED	Compatible	3	99	150
Legrand	ADPD453LM2*	Triac, 450W Dimmable CFL/LED	Compatible	7	94	150
Control 4	C4-APD120-WH	ELV, 120W LED	Compatible	0	99	40
Control 4	C4-FPD120-WH	Triac, 200W LED	Compatible	1	99	67
Commercial Electric	HPDA311CWB*	Triac, 150W LED & CFL	Compatible	11	99	50
TP-Link	HS220*	Triac, 150 W, Dimmable LED (MLV)	Compatible	0	99	50

*With Low-End Adjustment Feature

Minimal buzzing noise may occur with some dimmers

WARRANTY

DALS offers a 5-year warranty from the date of purchase which covers repairs or replacement of defective parts of the housing, optics, and electronics. To contact DALS customer service call 1-877-430-1818 or send an e-mail to info@dals.com.