

# PINPOINT

This series provides a contemporary aesthetic and functional design to your space. Available in various styles, and framed by a powder-coat finish, these high-output fixtures deliver crisp, low-glare light.

**MSL1**



**MSL5**



**MSL2**

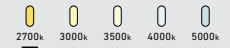


**MSL5G**



**MSL4**





COLOR TEMPERATURE



**IC**  
RATED



**MSL10**



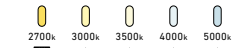
**MSL10G**



\*Models MSL5G-CC and MSL10G-CC only

# PINPOINT

This series provides a contemporary aesthetic and functional design to your space. Available in various styles, and framed by a powder-coat finish, these high-output fixtures deliver crisp, low-glare light.



COLOR TEMPERATURE



DRY



LOW-GLARE



SWIVEL/DIRECTIONAL\*

**IC**

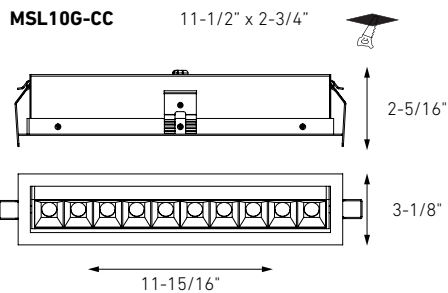
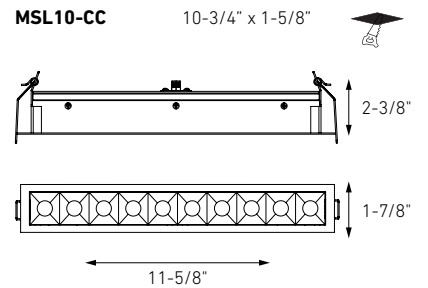
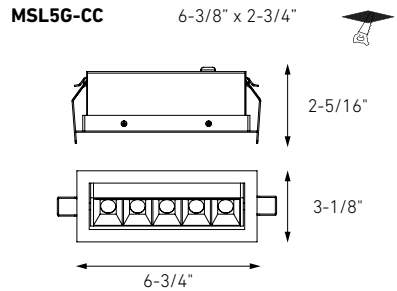
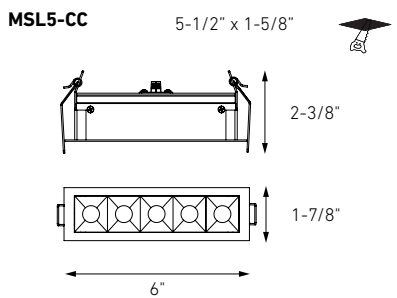
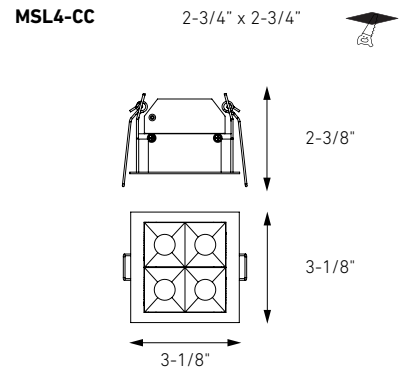
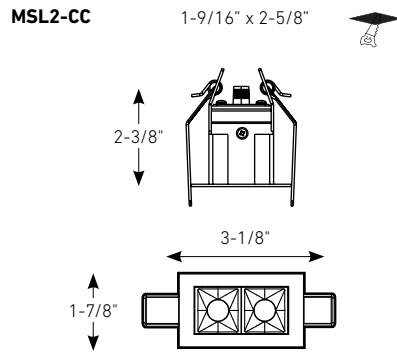
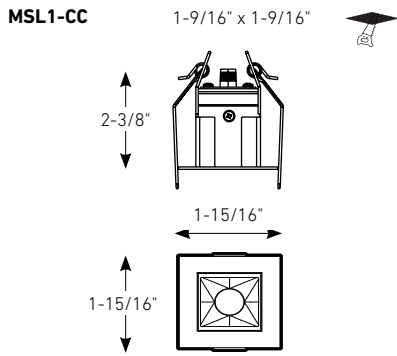
RATED



Intertek

Model	Size	Watts	Delivered lumens	CRI	Color °T	Voltage options ⚡
<b>MSL1-CC*</b>	1-15/16"	3 W	120 lm	90	2700, 3000, 3500, 4000, 5000 K	<b>120V TRIAC dimming</b>
<b>MSL2-CC</b>	3-1/8"	6 W	320 lm			or
<b>MSL4-CC</b>	3-1/8"	12 W	600 lm			
<b>MSL5-CC</b>	6"	14 W	800 lm			<b>V: 120 / 277 / 347V</b>
<b>MSL5G-CC</b>	6-3/4"	14 W	800 lm			<b>0-10V dimming</b>
<b>MSL10-CC</b>	11-5/8"	24 W	1300 lm			(Check for availability)
<b>MSL10G-CC</b>	11-15/16"	24 W	1300 lm			

\*MSL1-CC is available with standard 120V voltage only



### Specifications

- Every fixture includes a junction box with integrated dimmable driver
- Switch-selectable CCT
- Can be daisy chained
- Aluminum construction
- 30 degree swivel (models MSL5G and MSL10G only)
- Low-glare
- 5-year warranty

### Accessories

- RFP-MSL1**  
Rough-in plate for MSL1
- RFP-MSL2**  
Rough-in plate for MSL2
- RFP-MSL4**  
Rough-in plate for MSL4
- RFP-MSL5**  
Rough-in plate for MSL5
- RFP-MSL5G**  
Rough-in plate for MSL5G
- RFP-MSL10**  
Rough-in plate for MSL10
- RFP-MSL10G**  
Rough-in plate for MSL10G
- REC-CC-EXT8FT**  
8-foot extension cable
- REC-CC-EXT20FT**  
20-foot extension cable

### Finish

-  **BK** Black
-  **WH** White

### Multi-voltage (V) ⚡

This product family offers multi-voltage drivers (120/277/347) that are dimmable using 0-10V dimming systems. Please note that longer lead times may apply for this option. Kindly reach out to your DALI representative for additional information and to confirm availability.

### Note

Other color temperatures, finishes, and voltage options are available but may require minimum order quantities (MOQs) and longer lead times. Please contact your DALI representative for more information.