

# Pinpoint series

This series provides a contemporary aesthetic and functional design to your space. Available in various styles, and framed by a powder-coat finish, these high-output fixtures deliver crisp, low-glare light.

UPGRADE



DRY



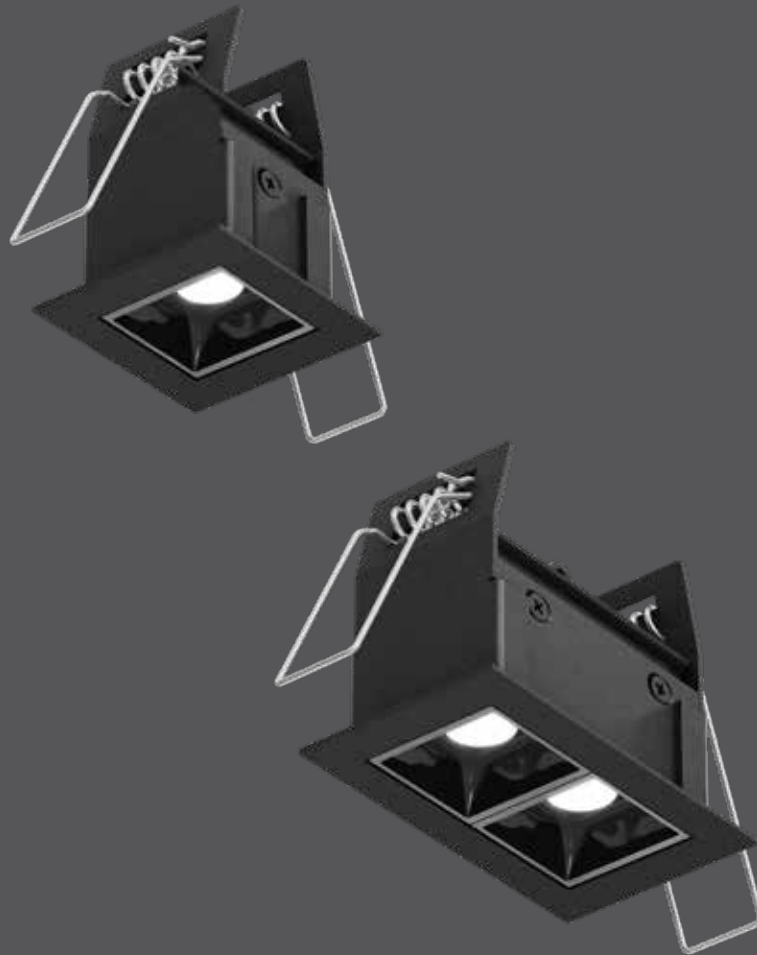
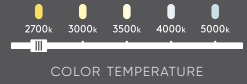
LOW-GLARE



Intertek



IC RATED



Model	Size	Watts	Delivered lumens	LED lumens	CRI	Color °T	Voltage
<b>MSL1-CC</b>	2"	3 W	120 lm	200 lm	90	2700, 3000, 3500, 4000, 5000 K	120 V
<b>MSL2-CC</b>	3"	6 W	300 lm	400 lm			

### Specifications

Over 50,000 hours of service life  
 Every fixture includes a junction box with integrated dimmable driver  
 Switch-selectable CCT: 2700 K/3000 K/3500 K/4000 K/5000 K  
 Can be daisy chained  
 Superior LED performance and lifespan  
 Regressed light source  
 Minimal heat emission  
 Aluminum construction  
 Suitable for dry locations  
 Refer to website for dimmer compatibility  
 5-year warranty

### Accessories

**RFP-MSL1**  
 Rough-in plate for MSL1  
**RFP-MSL2**  
 Rough-in plate for MSL2

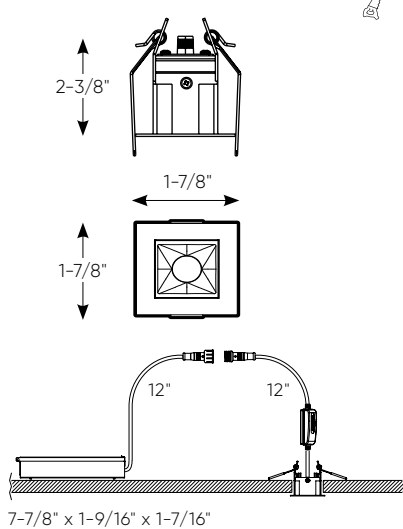
### Finish

● **BK** Black  
 ○ **AWH** White

### Note

Other color °T, finishes, and voltage options are available but may require MOQ's and longer lead times. Please contact your DALI representative for more information.

**MSL1-CC** 1-9/16" x 1-9/16"



**MSL2-CC** 1-9/16" x 2-5/8"

