



**DALS  
LIGHTING**

Canada  
80, de la Seigneurie blvd., E.  
Blainville, Quebec j7C 4N1

U.S.A.  
4383, NW 124th Ave.,  
Coral Springs, Florida 33065

877.430.1818  
info@dals.com  
dals.com

**MODEL** MSL10G-CC

**NAME** Pinpoint

10 Light Microspot Adjustable Recessed d

Providing contemporary and functional style to any space, the MSL Recessed Series with its glossy piano-black reflector is available in various styles and features.

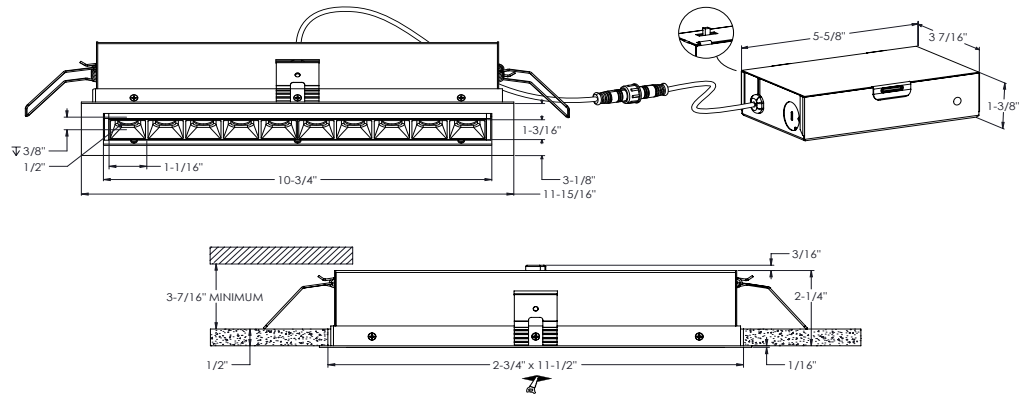
**PROJECT**

**TYPE**

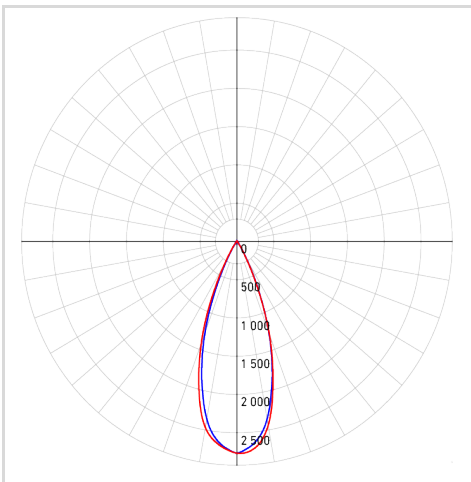
**DATE**

**QTY**

**NOTES**



**LIGHT DISTRIBUTION**



\*Lumen output measured at 3000k

**QUICK SPECS**

<b>Size</b>	13"
<b>Watts (W)</b>	24
<b>Delivered lumens*</b>	1300
<b>CRI</b>	90
<b>Voltage (v)</b>	120
<b>Beam angle (deg)</b>	30
<b>Cut hole size (in)</b>	11-1/2 x 2-3/4
<b>Lifespan (hrs)</b>	50000
<b>FT rating</b>	FT6
<b>Binning</b>	3 SDCM
<b>LED model</b>	SMD 3535
<b>Color temperature</b>	2700K/3000K/3500K/4000K/5000K

**ELECTRICAL DETAILS**

<b>Environment</b>	Dry
<b>Location</b>	Indoor
<b>Operating temp. (° C)</b>	-20 to 40
<b>IP rating</b>	IP44
<b>Input voltage (V)</b>	108-135V
<b>Output voltage (V)</b>	29
<b>Output current (mA)</b>	667
<b>Power factor (%)</b>	99
<b>Driver type</b>	Constant current
<b>THD</b>	<30%
<b>Certifications</b>	ETL, FCC, ICES

**ORDERING GUIDE**

MSL10G-CC	-	Voltage	-	Finish
		<b>BLANK</b> - 120v Triac dimming		<b>WH</b> - White <b>BK</b> - Black

**CONSTRUCTION**

<b>Lens material</b>	PC
<b>Optic type</b>	Clear lens
<b>Finish type</b>	Sandy
<b>Housing material</b>	Aluminum

WHAT'S IN THE BOX	ACCESSORIES	ADAPTORS
<ul style="list-style-type: none"> <li>LED recessed fixture</li> <li>Junction box</li> <li>3x Push-in wire connectors</li> <li>Mounting hardware</li> <li>Instruction sheet</li> </ul>	<ul style="list-style-type: none"> <li><a href="#">RFP-MSL10G</a></li> <li>Drilling plate</li> </ul>	<ul style="list-style-type: none"> <li><a href="#">REC-CC-EXT8FT</a></li> <li>96" extension cord for recessed fixtures</li> <li><a href="#">REC-CC-EXT20FT</a></li> <li>240" extension cord for recessed fixtures</li> </ul>

#### RECOMMENDED DIMMER LIST\*

BRAND	MODEL	DIMMER SPECS	GRADE	MIN	MAX	MAX LOAD
Lutron	DVCL-153PR-WH-C*	Triac, 150 W Dimmable CFL/LED	Compatible	5	94	6
Lutron	CTCL-153PDH-WH-C*	Triac, 150 W Dimmable CFL/LED	Compatible	5	93	6
Lutron	STCL-153PH-WH-C*	Triac, 150 W Dimmable CFL/LED	Compatible	2	92	6
Lutron	DVLV-600P-BL	Magnetic Low Voltage, 450W	Compatible	12	92	19
Lutron	MACL-153MRHW-WHC*	Triac, 150 W Dimmable CFL/LED	Compatible	1	91	6
Lutron	MA-PRO-WH*	ELV, 250W LED/CFL	Compatible	2	91	10
Lutron	Caseta PD-5NE-WH-C*	ELV, LED—up to 250 W	Compatible	4	89	10
Lutron	Caseta PD-10NXD-WH*	Triac, LED—up to 250 W	Compatible	1	88	10
Leviton	DSM10-1LZ*	Triac, 450W Dimmable CFL/LED	Compatible	3	92	19
Leviton	DSL06-1LZ*	Triac, 150 W Dimmable CFL/LED	Compatible	6	93	6
Leviton	D26HD-742-1RW*	Triac, 300W LED/CFL	Compatible	8	96	13
Legrand	RHCL453PNICCV4*	Triac, 450W Dimmable CFL/LED	Compatible	7	92	19
Legrand	ADTP703TUM4*	Triac,450W Dimmable CFL/LED	Compatible	6	90	19
Legrand	ADPD453LM2*	Triac,450W Dimmable CFL/LED	Compatible	9	93	19
Control 4	C4-APD120-WH	ELV, 120W LED	Compatible	0	97	5
Control 4	C4-FPD120-WH	Triac, 200W LED	Compatible	0	97	8
TP-Link	HS220*	Triac, 150 W, Dimmable LED (MLV)	Compatible	4	97	6

\*With Low-End Adjustment Feature

Minimal buzzing noise may occur with some dimmers

#### WARRANTY

DALS offers a 5-year warranty from the date of purchase which covers repairs or replacement of defective parts of the housing, optics, and electronics. To contact DAL'S customer service call 1-877-430-1818 or send an e-mail to [info@dals.com](mailto:info@dals.com).