

**20
22**

Outdoor catalog

Revolve

Our Recessed family has grown with a new range of adjustable downlights. The effortless design and high functionality of these fixtures are sure to make a welcome addition in any room.

NEW WET LOW-GLARE ENERGY STAR Intertek IC RATED

30° SWIVEL/DIRECTIONAL AIR TIGHT

2700k 3000k 3500k 4000k 5000k COLOR TEMPERATURE



Model	Size	Watts	Delivered lumens	CRI	Color °T	Voltage
GBR35-CC	3.5"	12 W	800 lm	90	2700, 3000, 3500, 4000, 5000 K	120 V
GBR06-CC	6"	20 W	1500 lm			

Specifications

Every fixture includes a junction box with an integrated driver
 Over 50,000 hours service life
 Switch-selectable CCT: 2700 K/3000 K/3500 K/4000 K/5000 K
 40° beam angle
 30° tilting, 360° rotation
 Cast aluminum construction
 Suitable for wet locations
 Compatible with TRIAC and ELV dimmers
 Refer to website for dimmer compatibility
 IC certification (suitable for direct contact with insulation)
 Air-tight certified as per ASTM E283-04
 5-year warranty

Finish

○ **WH** White

Accessories

RFP-UNI (GBR06)
 Universal rough-in plate
RFP-35 (GBR35)
 Rough-in plate
RFP-46 (GBR06)
 Rough-in plate

Order example


GBR06-CC-WH

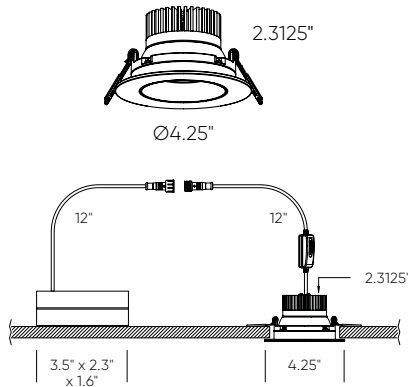
Dimmable 6" deep regressed gimbal in a white finish

Note

Other Color °T and Finishes available, but may require MOQ's and longer lead times. Please contact your DALI representative for more information.

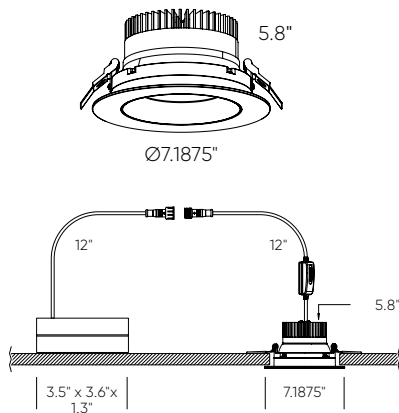
GBR35-CC

Ø3-1/2" 



GBR06-CC

Ø6-1/2" 



Etch

The Etch range of circular recessed downlights, characterised by a deep-set LED position, provides a functional solution to general lighting without the uncomfortable glare.

NEW

WET LOW-GLARE

Intertek IC RATED

AIR TIGHT

COLOR TEMPERATURE

2700k 3000k 3500k 4000k 5000k



Model	Size	Watts	Delivered lumens	CRI	Color °T	Voltage
DDP4-CC	4"	15 W	1000 lm	90	2700, 3000, 3500,	120 V
DDP6-CC	6"	20 W	1500 lm		4000, 5000 K	

Specifications

Every fixture includes a junction box with an integrated driver
 Over 50,000 hours of service life
 Can be daisy chained
 Smooth 360° wide spread
 125° beam angle
 Minimal heat emission
 Frosted lens
 Edge lit technology
 Cast aluminum construction
 Switch-selectable CCT: 2700 K/3000 K/3500 K/4000 K/5000 K
 Easy-access CCT switch on panel wire
 Very low profile
 IC certification (suitable for direct contact with insulation)
 Air-tight certified as per ASTM E283-04
 Suitable for wet locations
 Ideal operating temperature: -20° to 40° C
 Refer to website for dimmer compatibility
 5-year warranty

Finish

○ **WH** White

Note

Other Color °T and Finishes available, but may require MOQ's and longer lead times. Please contact your DALs representative for more information.

Order example

DDP4-CC-WH

White 4" deep regressed panel with 1000 lumens at 3000 K

Accessories

RFP-46

Rough-in plate

RFP-UNI

Universal rough-in plate

DDP4-TRIM-BK

4" recessed panel trim in black

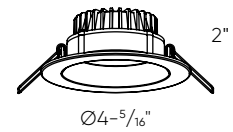
DDP6-TRIM-BK

6" recessed panel trim in black



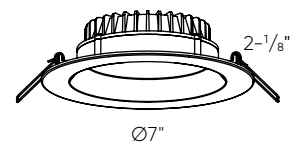
DDP4-CC

Ø4-1/4"



DDP6-CC

Ø6-1/2"



Etch Pro

With reduced glare and a sleek and minimal construction, the Dals Connect Pro recessed panel lights will be a great addition to any project. Connect 100+ devices through Bluetooth, create groups, set schedules and select from a wide range of colors, all possible with the DALS Connect App™.



Model	Size	Watts	Delivered lumens	CRI	Color °T	Voltage
DCP-DDP4WH	4"	15 W	1000 lm	90	RGB + 2700 K - 6500 K	120 V
DCP-DDP6WH	6"	20 W	1500 lm	90	RGB + 2700 K - 6500 K	120 V

Specifications

Includes a junction box with integrated driver
 Over 50,000 hours of service life
 Full color spectrum
 2700K - 6500K in pure whites
 125° beam angle
 Dimmable through the Dals Connect app only
 Bluetooth mesh technology
 Minimal heat emission
 Aluminum construction
 Regressed light source
 Suitable for wet locations
 3-year warranty

Note

Add the DALS Connect Pro Hub for even greater flexibility: voice control, remote access, expanded mesh network, ability to connect 128 devices per Hub.

Finish

WH White

Order example

DCP-DDP4WH
 4" RGB+CCT smart Bluetooth fixture with embedded smart module which you can control with your smartphone

Download the Dals Connect app

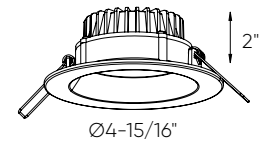
Create groups
 Set schedules
 Remote access*
 Compatible with Google Assistant and Amazon Alexa*



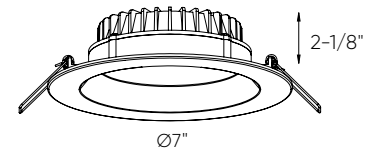
*Hub needed



DCP-DDP4 Ø4 1/4"



DCP-DDP6 Ø6 1/4"



Element

When choosing a recessed fixture, eliminating glare is a priority. The unique positioning of the LED module in this series of downlights will meet that important need.

UPGRADE



WET



LOW-GLARE



ENERGY STAR

IC

RATED



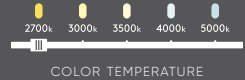
AIR TIGHT

JA8

CERTIFIED



Intertek



Model	Size	Watts	Delivered lumens	LED lumens	CRI	Color °T	Voltage
RGR2-CC	2"	8 W	600 lm	750 lm	90	2700, 3000, 3500, 4000, 5000 K	120 V
RGR4-CC	4"	14 W	990 lm	1200 lm	90		120 V
RGR6-CC	6"	20 W	1600 lm	1900 lm	90		120 V

Specifications

Every fixture includes a junction box with integrated dimmable driver
 Can be daisy chained
 Superior LED performance and lifespan
 Regressed light source
 Minimal heat emission
 Aluminum construction
 Switch-selectable CCT: 2700K/3000 K/3500 K/4000 K/5000 K
 IC certification (suitable for direct contact with insulation)
 Air-tight certified as per ASTM E283-04
 40° beam angle
 Suitable for wet locations
 JA8 Certified
 Refer to website for dimmer compatibility
 Ideal operating temperature:
 -20° to 40° C
 5-year warranty

Finish

- **BK** Black
- **SN** Satin Nickel
- **WH** White

Accessories

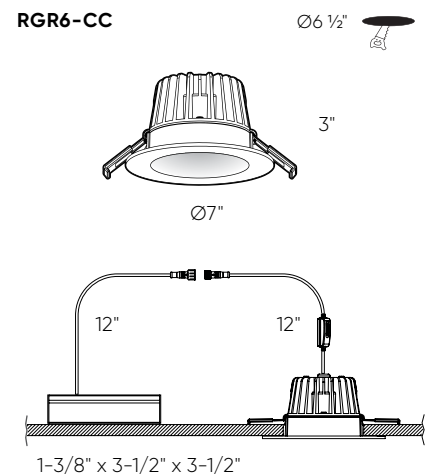
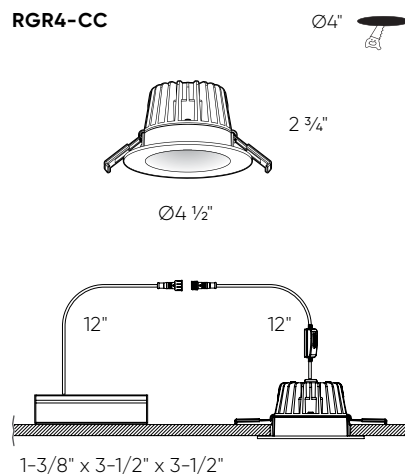
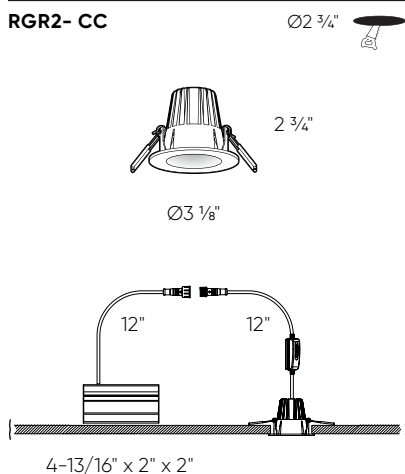
- RFP-UNI**
Universal rough-in plate
- RFP-23**
Rough-in plate for 2" and 3" models
- RFP-46**
Rough-in plate for 4" and 6" models

Order example

RGR4-CC-BK
 Dimmable RGR4-CC 4" round regressed LED fixture in a black finish

Note

Other Color °T and Finishes available, but may require MOQ's and longer lead times. Please contact your DALs representative for more information.



Element square

When choosing a recessed fixture, eliminating glare is a priority. The unique positioning of the LED module in this series of downlights will meet that important need.

UPGRADE



WET



LOW-GLARE



ENERGY STAR



IC

RATED



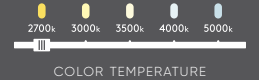
AIR TIGHT



CERTIFIED



Intertek



Model	Size	Watts	Delivered lumens	LED lumens	CRI	Color °T	Voltage
RGR2SQ-CC	2"	8 W	600 lm	750 lm	90	2700, 3000, 3500, 4000, 5000 K	120 V
RGR4SQ-CC	4"	14 W	990 lm	1200 lm	90		120 V
RGR6SQ-CC	6"	20 W	1600 lm	1900 lm	90		120 V

Specifications

Every fixture includes a junction box with integrated dimmable driver
 Can be daisy chained
 Superior LED performance and lifespan
 Regressed light source
 Minimal heat emission
 Aluminum construction
 Switch-selectable CCT: 2700K/3000 K/3500 K/4000 K/5000 K
 IC certification (suitable for direct contact with insulation)
 Air-tight certified as per ASTM E283-04
 40° beam angle
 Suitable for wet locations
 JA8 Certified
 Refer to website for dimmer compatibility
 Ideal operating temperature:
 -20° to 40° C
 5-year warranty

Finish

- **BK** Black
- **SN** Satin Nickel
- **WH** White

Accessories

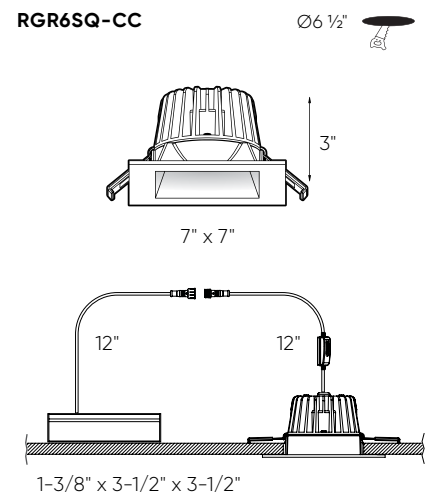
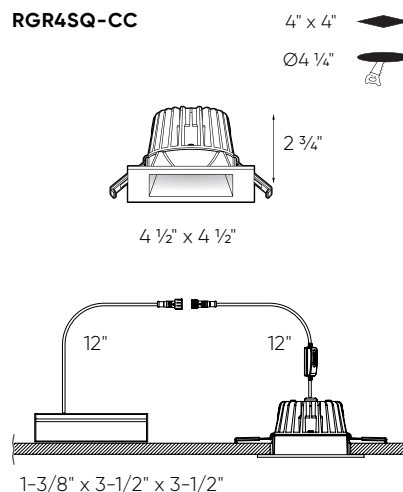
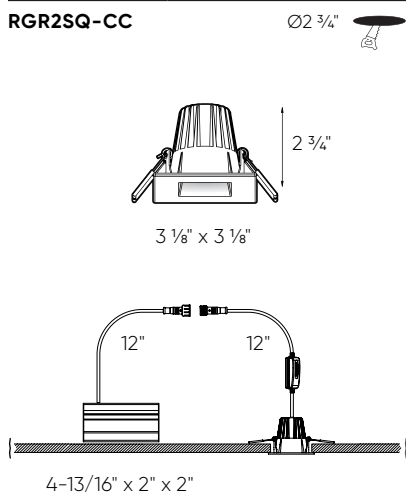
- RFP-UNI**
Universal rough-in plate
- RFP-23**
Rough-in plate for 2" and 3" models
- RFP-46**
Rough-in plate for 4" and 6" models

Order example

RGR2SQ-CC-SN
 Dimmable RGR2SQ-CC 2" square regressed LED fixture in a satin nickel finish

Note

Other Color °T and Finishes available, but may require MOQ's and longer lead times. Please contact your DALI representative for more information.



Facet

This versatile modern thin-trim 2-, and 4-inch gimbal with multi-directional adjustable swivel produces a bright glow with minimal glare as a result of its regressed light source. Ideal for general lighting or for areas requiring a directional light to showcase unique elements or to create dramatic wall-wash effects.

UPGRADE

WET LOW-GLARE SWIVEL/DIRECTIONAL 30° ETL Intertek US IC RATED

AIR TIGHT 2700k 3000k 3500k 4000k 5000k COLOR TEMPERATURE



Model	Size	Watts	Delivered lumens	LED lumens	CRI	Color °T	Voltage
RGM2-CC	2"	8 W	660 lm	800 lm	90	2700, 3000, 3500, 4000,	120 V
RGM4-CC	4"	12 W	1050 lm	1400 lm	90	5000 K	120 V

Specifications

Every fixture includes a junction box with integrated dimmable driver
 Can be daisy chained
 Superior LED performance and lifespan
 Regressed light source
 Minimal heat emission
 Aluminum construction
 Switch-selectable CCT: 2700K/3000 K/3500 K/4000 K/5000 K
 IC certification (suitable for direct contact with insulation)
 Air-tight certified as per ASTM E283-04
 40° beam angle
 30° tilting, 360° rotation
 Suitable for wet locations
 Refer to website for dimmer compatibility
 Ideal operating temperature:
 -20° to 40° C
 5-year warranty

Finish

- **BK** Black
- **WH** White

Accessories

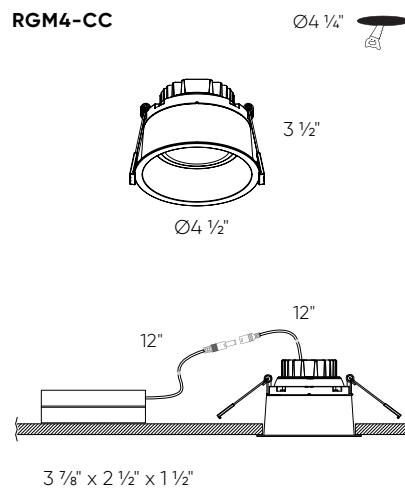
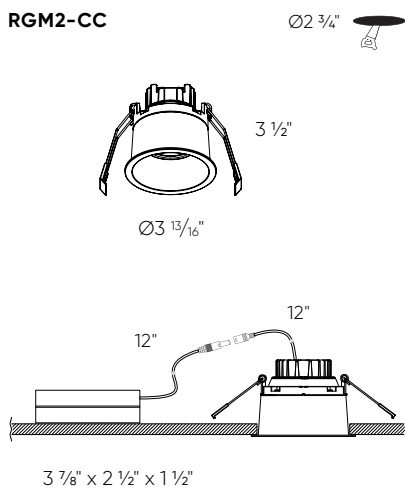
- RFP-UNI**
Universal rough-in plate
- RFP-23**
Rough-in plate for 2" model
- RFP-46**
Rough-in plate for 4" model

Order example

RGM4-CC-BK
 4" gimbal recessed downlight with 1050 Lumens at 3000 K in a black finish

Note

Other Color °T and Finishes available, but may require MOQ's and longer lead times. Please contact your DALs representative for more information.



Hilux

Dals' new high-powered recessed downlight is a go-to for your commercial projects. With its five color temperatures to choose from, a cast aluminum housing, high lumen output, and indoor/outdoor rating, this can be installed just about anywhere. From clinics to schools and hotels to boutiques, this is the only slim recessed fixture you will need.

NEW

WET LOW-GLARE IC RATED AIR TIGHT ETL Intertek

2700k 3000k 3500k 4000k 5000k

COLOR TEMPERATURE

JA8 CERTIFIED ENERGY STAR



Model	Size	Watts	Delivered lumens	LED lumens	CRI	Color °T	Voltage
HPD4-CC	4"	20 W	1415 lm	1555 lm	90	2700, 3000, 3500, 4000, 5000 K	120 V
HPD6-CC	6"	30 W	2100 lm	2310 lm			
HPD8-CC	8"	40 W	2600 lm	2850 lm			

Specifications

Every fixture includes a junction box with an integrated driver
 Over 50,000 hours service life
 Switch-selectable CCT: 2700 K/3000 K/3500 K/4000 K/5000 K
 Smooth 360° wide spread
 90° beam angle
 Cast aluminum construction
 Suitable for wet locations
 Compatible with TRIAC, ELV and 0-10 V dimmers
 Refer to website for dimmer compatibility
 IC certification (suitable for direct contact with insulation)
 Air-tight certified as per ASTM E283-04
 5-year warranty

Finish

○ **WH** White

Options

HPD4-CC-V-WH

4" high-powered downlight with input for 0/10V, 120-277-347V

HPD6-CC-V-WH

6" high-powered downlight with input for 0/10V, 120-277-347V

HPD8-CC-V-WH

8" high-powered downlight with input for 0/10V, 120-277-347V

Accessories

RFP-UNI

Universal rough-in plate

RFP-46 (HPD4, HPD6)

Rough-in plate

RFP-58 (HPD8)

Rough-in plate

Order example


HPD6-CC-WH

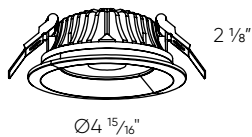
Dimmable 6" high-powered commercial downlight in a white finish

Note

Other Color °T and Finishes available, but may require MOQ's and longer lead times. Please contact your DALI representative for more information.

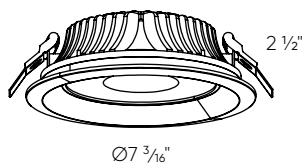
HPD4-CC

Ø4 ¼" 




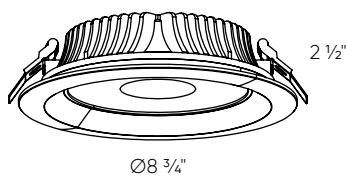
HPD6-CC

Ø6 ½" 



HPD8-CC

Ø7 ½" 



Pivot

When searching for lighting flexibility, look no further than our 4" & 6" flat gimbal LED downlights. With a powerful lumen output and the ability to shine your light on a 360 degree rotation and a 90° tilt angle, this product will meet your every needs.

UPGRADE

WET

90°
SWIVEL/DIRECTIONAL

ETL^{US}
Intertek

IC
RATED

AIR TIGHT

COLOR TEMPERATURE*

2700k 3000k 3500k 4000k 5000k



*Models FGM4-CC and FGM6-CC only

Model	Size	Watts	Delivered lumens	LED lumens	CRI	Color °T	Voltage
FGM4-3K	4"	9 W	700 lm	850 lm	90	3000 K	120 V
FGM4-CC	4"	9 W	700 lm	850 lm	90	2700, 3000, 3500, 4000,	120 V
FGM6-CC	6"	14.5 W	1050 lm	1200 lm	90	5000 K	120 V

Specifications

Every fixture includes a junction box with integrated dimmable driver
 Can be daisy chained
 Superior LED performance and lifespan
 90° tilting, 360° rotation
 Minimal heat emission
 Aluminum construction
 Switch-selectable CCT: 2700K/3000 K/3500 K/4000 K/5000 K*
 Low profile
 40° beam spread
 IC certification (suitable for direct contact with insulation)
 Air-tight certified as per ASTM E283-04
 Suitable for wet locations
 Refer to website for dimmer compatibility
 Ideal operating temperature:
 -20° to 40° C
 5-year warranty

Finish

- **BK** Black
- **SN** Satin Nickel
- **WH** White

Accessories

- RFP-UNI**
Universal rough-in plate
- RFP-46**
Rough-in plate for 4" and 6" models

Order example

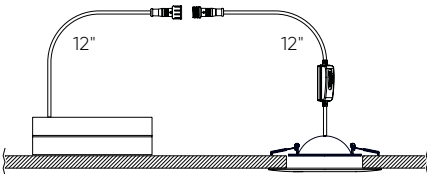
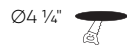
FGM4-CC-BK

4" flat gimbal recessed downlight with 700 Lumens at 3000 K in a black finish

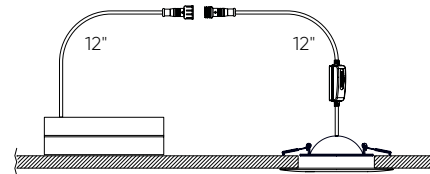
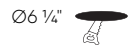
Note

Other Color °T and Finishes available, but may require MOQ's and longer lead times. Please contact your DALs representative for more information.

FGM4-3K, FGM4-CC



FGM6-CC



Scope

There are moments when you want the ability to direct light as you please. With our LED Gimbal recessed fixture, this has now become a reality with the easiest of installations.

UPGRADE WET ENERGY STAR ETL Intertek IC RATED JA8 CERTIFIED

30° SWIVEL/DIRECTIONAL AIR TIGHT

2700k 3000k 3500k 4000k 5000k COLOR TEMPERATURE



Model	Size	Watts	Delivered lumens	LED lumens	CRI	Color °T	Voltage
LEDDOWNG3-CC	3"	8 W	600 lm	635 lm	90	2700, 3000, 3500, 4000, 5000 K	120 V
LEDDOWNG4-CC	4"	8 W	600 lm	635 lm			
GMB4-CC	4"	11 W	810 lm	1000 lm			

Specifications

Every fixture includes a junction box with integrated dimmable driver
 Can be daisy chained
 Superior LED performance and lifespan
 30° tilting, 360° rotation
 Minimal heat emission
 Aluminum construction
 Switch-selectable CCT: 2700K/3000 K/3500 K/4000 K/5000 K
 Low profile
 40° beam spread
 IC certification (suitable for direct contact with insulation)
 Air-tight certified as per ASTM E283-04
 JA8 Certified
 Suitable for wet locations
 Refer to website for dimmer compatibility
 Ideal operating temperature: -20° to 40° C
 FT6 rated cable
 5-year warranty

Finish

- **BK** Black
- **SN** Satin Nickel
- **WH** White

Accessories

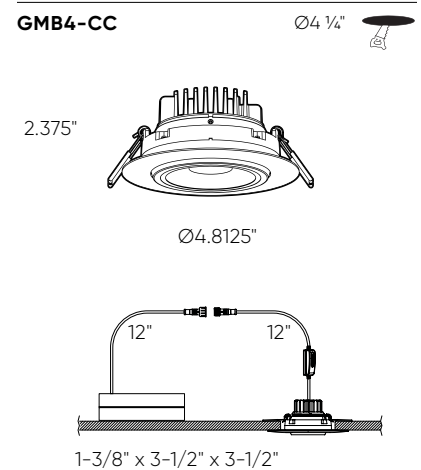
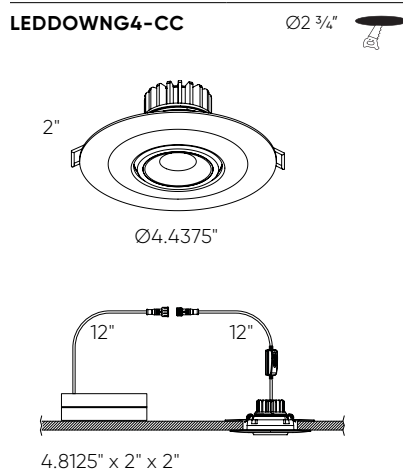
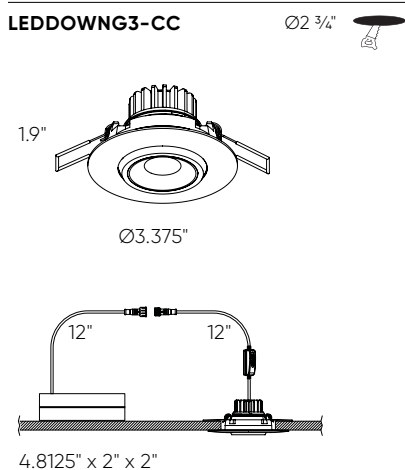
- RFP-UNI**
Universal rough-in plate
- RFP-23**
Rough-in plate for 2" and 3" models
- RFP-46**
Rough-in plate for 4" and 6" models

Order example

LEDDOWNG3-CC-BK
 3" gimbal recessed downlight with 600 Lumens at 3000 K in a black finish

Note

Other Color °T and Finishes available, but may require MOQ's and longer lead times. Please contact your DALI representative for more information.



Mystique

There are moments when you want the ability to direct light as you please. With our LED Gimbal recessed fixture, this has now become a reality with the easiest of installations.



WET



MULTIPLE TRIM
COLORS



ENERGY STAR



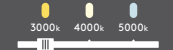
ETL
Intertek

IC
RATED

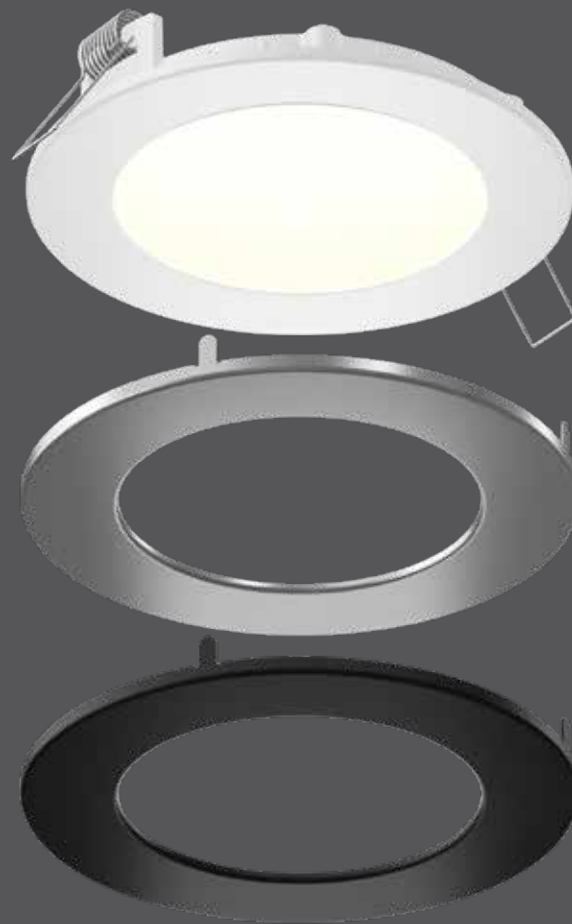
JA8
CERTIFIED



AIR TIGHT



COLOR TEMPERATURE



Model	Size	Watts	Delivered lumens	LED lumens	CRI	Color °T	Voltage
SPN4-CC-3T	4"	11 W	800 lm	850 lm	90	3000-4000-5000 K	120 V
SPN6-CC-3T	6"	14 W	1060 lm	1100 lm	90	3000-4000-5000 K	120 V

Specifications

Every fixture includes a junction box with integrated dimmable driver
 Can be daisy chained
 Minimal heat emission
 Aluminum construction
 IC certification (suitable for direct contact with insulation)
 Air-tight certified as per ASTM E283-04
 Over 50,000 hours of service life
 3 interchangeable trim colors included
 Switch-selectable CCT: 3000 K/4000 K/5000 K
 110° beam angle
 Suitable for wet locations
 Refer to website for dimmer compatibility
 Ideal operating temperature: -20° to 40° C
 5-year warranty

Finish

- **BK** Black
- **SN** Satin Nickel
- **WH** White

Accessories

- REC-PT4-BB (SPN4-CC-3T)**
4" recessed panel trim in brushed brass
- REC-EXT108**
108" extension cable
- RFP-UNI**
Universal rough-in plate
- RFP-46**
Rough-in plate for 4" and 6" models

Order example

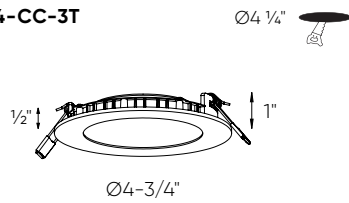
SPN4-CC-3T

Dimmable 4" recessed downlight, black/satin nickel/white finishes, with 3 switch-selectable CCT's: 3000 K, 4000 K, 5000 K

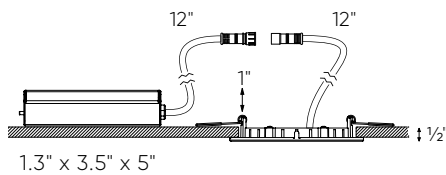
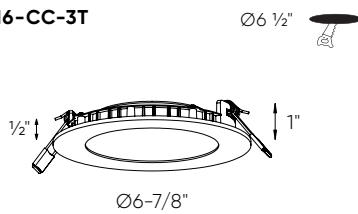
Note

Other Color °T and Finishes available, but may require MOQ's and longer lead times. Please contact your DALI representative for more information.

SPN4-CC-3T



SPN6-CC-3T



Mystique square

These highly stylish, ultra-slim recessed fixtures with black, satin nickel and white interchangeable trims serve a fundamental and practical purpose that allow to easily decide on-site what your ceilings will look like. For even greater flexibility, these fixtures emanate a soft, even light with a switch-selectable color temperature of 3000, 4000 or 5000 K. A truly complete package for your lighting and designing needs.



WET



MULTIPLE TRIM
COLORS



ENERGY STAR



ETL
Intertek

IC
RATED

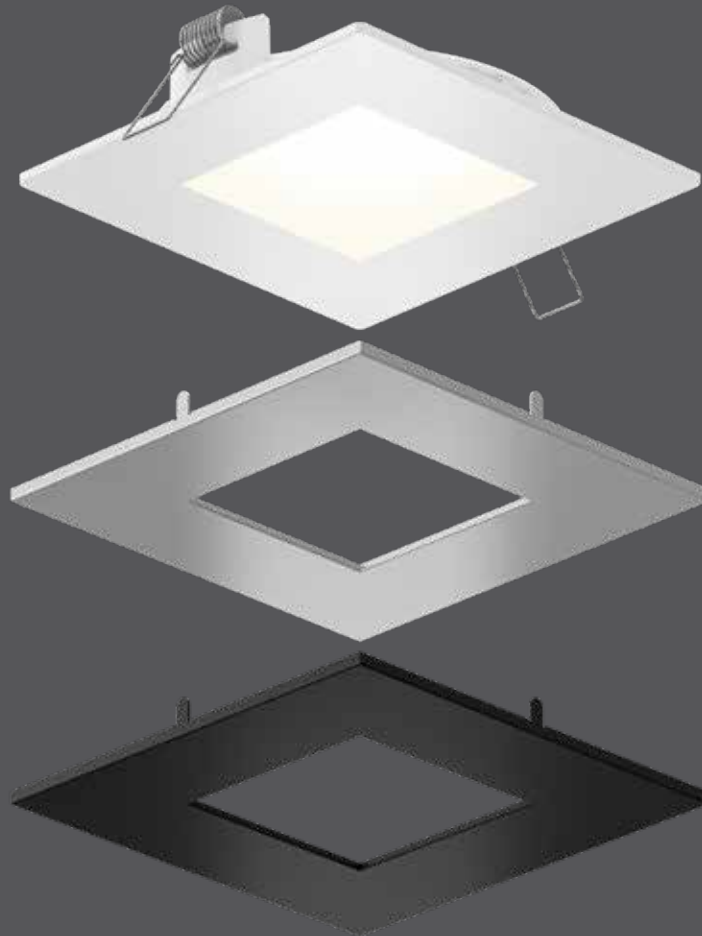
JA8
CERTIFIED



AIR TIGHT



COLOR TEMPERATURE



Model	Size	Watts	Delivered lumens	LED lumens	CRI	Color °T	Voltage
SPN4SQ-CC-3T	4"	11 W	800 lm	850 lm	90	3000-4000-5000 K	120 V
SPN6SQ-CC-3T	6"	14 W	1060 lm	1100 lm	90	3000-4000-5000 K	120 V

Specifications

Every fixture includes a junction box with integrated dimmable driver
 Can be daisy chained
 Aluminum construction
 IC certification (suitable for direct contact with insulation)
 Air-tight certified as per ASTM E283-04
 Over 50,000 hours of service life
 3 interchangeable trim colors included
 Switch-selectable CCT: 3000 K/4000 K/5000 K
 110° beam angle
 Suitable for wet locations
 Refer to website for dimmer compatibility
 Ideal operating temperature: -20° to 40° C
 5-year warranty

Finish

- **BK** Black
- **SN** Satin Nickel
- **WH** White

Accessories

- REC-EXT108**
108" extension cable
- RFP-UNI**
Universal rough-in plate
- RFP-46**
Rough-in plate for 4" and 6" models

Order example

SPN6SQ-CC-3T

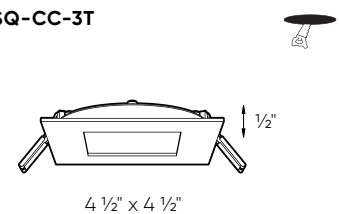
Dimmable 4" recessed downlight, black/satin nickel/white finishes, with 3 switch-selectable CCT's: 3000 K, 4000 K, 5000 K

Note

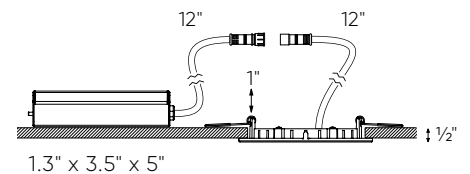
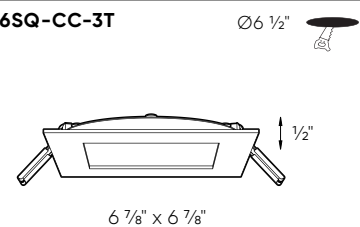
Other Color °T and Finishes available, but may require MOQ's and longer lead times. Please contact your DALI representative for more information.



SPN4SQ-CC-3T



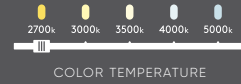
SPN6SQ-CC-3T



Excel

Our new LED Panel lights are more accessible than ever before. The sleek and minimal construction allows for the easiest of installations.

UPGRADE



Model	Size	Watts	Delivered lumens	LED lumens	CRI	Color °T	Voltage
5003-CC	3"	8 W	560 lm	640 lm	80	2700, 3000, 3500, 4000, 5000 K	120 V
5004-CC	4"	11 W	770 lm	880 lm			
5005-CC	5"	12 W	800 lm	980 lm			
5006-CC	6"	14 W	980 lm	1120 lm			
5004-DW*	4"	11 W	750 lm	880 lm		3000-2200 K	120 V

*Dim-to-warm technology, dims from 3000 K to 2200 K

Specifications

Every fixture includes a junction box with an integrated driver
 Over 35,000 hours of service life
 Can be daisy chained
 Minimal heat emission
 Edge lit technology
 Cast aluminum construction
 Switch-selectable CCT: 2700 K/3000 K/3500 K/4000 K/5000 K
 Easy-access CCT switch on panel wire
 Very low profile
 IC certification (suitable for direct contact with insulation)
 Air-tight certified as per ASTM E283-04
 Suitable for wet locations
 Ideal operating temperature: -20° to 40° C
 Refer to website for dimmer compatibility
 5-year warranty

Finish

- **BK** Black
(5004, 5005, 5006)
- **SN** Satin Nickel
(5004)
- **WH** White
(5003, 5004, 5005, 5006)

Note

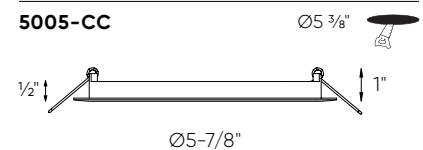
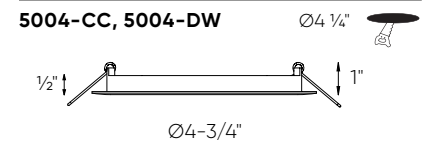
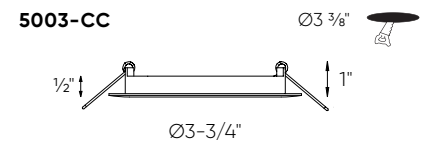
Other Color °T and Finishes available, but may require MOQ's and longer lead times. Please contact your DALI representative for more information.

Order example

5005-CC-WH
 White 5" round panel with 800 lumens at 3000 K

Accessories

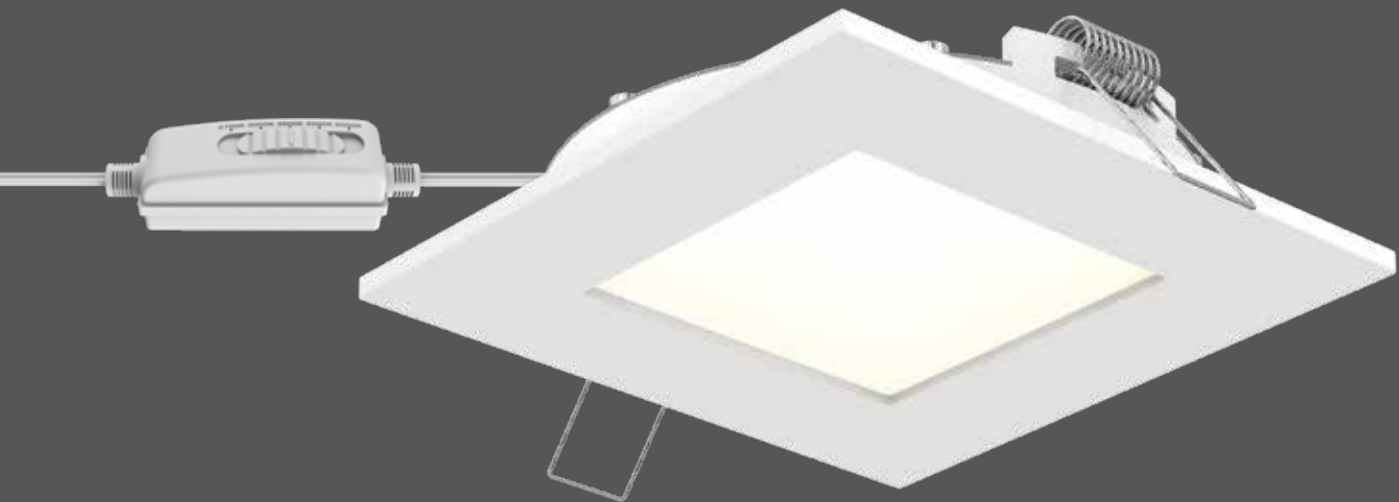
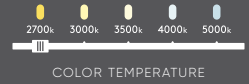
- REC-PT4-BB (5004)**
4" recessed panel trim in brushed brass
- REC-PT4-BK (5004)**
4" recessed panel trim in black
- REC-PT4-SN (5004)**
4" recessed panel trim in satin nickel
- REC-EXT108**
108" extension cable
- RFP-23 (5003)**
Rough-in plate
- RFP-46 (5004, 5006)**
Rough-in plate
- RFP-58 (5005)**
Rough-in plate
- RFP-UNI (5003, 5004, 5006)**
Universal rough-in plate



Excel square

When looking for a modern design, a square lighting fixture is often the best choice. Even better, imagine being able to use a round cutout for installation. This is now a reality with the improved concept of this square panel light.

UPGRADE



Model	Size	Watts	Delivered lumens	LED lumens	CRI	Color °T	Voltage
5004SQ-CC	4"	11 W	770 lm	880 lm	80	2700, 3000, 3500, 4000, 5000 K	120 V

Specifications

Every fixture includes a junction box with an integrated driver
 Over 35,000 hours of service life
 Can be daisy chained
 Superior LED performance and lifespan
 Smooth 360° wide spread
 Minimal heat emission
 Frosted lens
 Edge lit technology
 Aluminum construction
 Switch-selectable CCT: 2700K/3000 K/3500 K/4000 K/5000 K

Very low profile
 IC certification (suitable for direct contact with insulation)
 Air-tight certified as per ASTM E283-04
 Suitable for wet locations
 Refer to website for dimmer compatibility
 Ideal operating temperature: -20° to 40° C
 5-year warranty

Finish

- **BK** Black
- **WH** White

Accessories

REC-EXT108

108" extension cable

RFP-46 (5004SQ-CC)

Rough-in plate

RFP-UNI

Universal rough-in plate

Order example


5004SQ-CC-WH

White 4" square panel with 770 lumens at 3000 K

Note

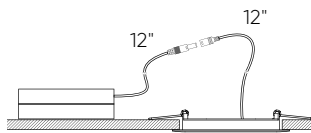
Other Color °T and Finishes available, but may require MOQ's and longer lead times. Please contact your DALI representative for more information.

5004SQ-CC

Ø4 1/4" 



4 1/2" x 4 1/2" (D) x 1/2"



5.1" x 3" x 1.25"



Excel Pro

The Dals Connect Pro panel lights will be a great addition to any project. Connect 100+ devices through Bluetooth, create groups, set schedules and select from a wide range of colors, all possible with the DALS Connect App™.



Model	Size	Watts	Delivered lumens	CRI	Color °T	Voltage
DCP-PNL4WH	4"	14 W	750 lm	90	RGB + 2700 K - 6500 K	120 V
DCP-PNL6WH	6"	20 W	1200 lm	90	RGB + 2700 K - 6500 K	120 V

Specifications

Includes a junction box with integrated driver
 Over 50,000 hours of service life
 Full color spectrum
 2700K - 6500K in pure whites
 Dimmable through the Dals Connect app only
 Bluetooth mesh technology
 Minimal heat emission
 Aluminum construction
 Suitable for wet locations
 3-year warranty

Finish

WH White

Order example

DCP-PNL4WH
 4" RGB+CCT smart Bluetooth fixture with embedded smart module which you can control with your smartphone

Note

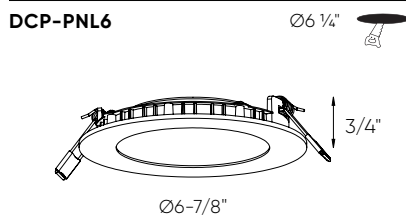
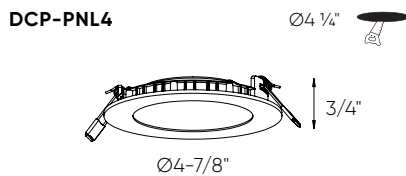
Add the DALS Connect Pro Hub for even greater flexibility: voice control, remote access, expanded mesh network, ability to connect 128 devices per Hub.

Download the Dals Connect app

Create groups
 Set schedules
 Remote access*
 Compatible with Google Assistant and Amazon Alexa*



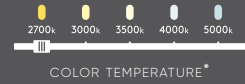
*Hub needed



Alter series

The aluminum retrofit LED panel offers the easiest and most practical solution to your existing lighting needs. For style and convenience, the removable outer trim attaches with magnetic fasteners to create a seamless look. Can be easily retrofitted in existing 4" canisters or standard octagonal junction boxes.

UPGRADE



*Model RTF4-CC only

Model	Size	Watts	Delivered lumens	LED lumens	CRI	Color °T	Voltage
RTF4-3K	4"	9 W	550 lm	630 lm	90	3000 K	120 V
RTF4-CC	4"	9 W	500 lm	580 lm	90	2700, 3000, 3500, 4000, 5000 K	120 V

Specifications

Fits on octagonal junction boxes
 Fire rated alternative when mounted onto a fire rated junction box
 Includes A-19 socket
 Fits into 4" recessed housings
 Minimal heat emission
 Aluminum construction
 Switch-selectable CCT:
 2700K/ 3000K/ 3500K/ 4000K/ 5000K
 (model RTF4-CC only)
 Over 50,000 hours of service life
 Magnetic trim finish
 Air-tight certified as per ASTM E283-04
 Suitable for wet locations
 Refer to website for dimmer compatibility
 Ideal operating temperature:
 -20° to 40° C
 5-year warranty

Finish

- **BK** Black
- **SN** Satin Nickel
- **WH** White

Accessories

- RTF4-TRIM-BK**
4" recessed panel trim in black
- RTF4-TRIM-SN**
4" recessed panel trim in satin nickel

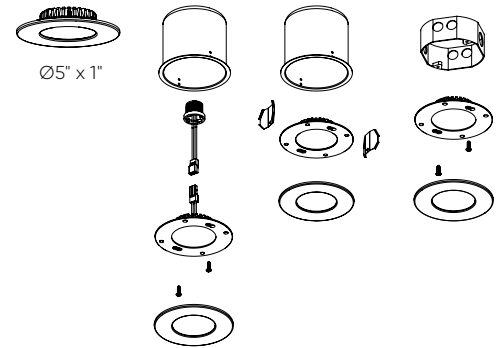
Order example

- RTF4-3K-BK**
Black 4" retrofit panel light with
550 Lumens at 3000 K

Note

Other Color °T and Finishes available, but may require MOQ's and longer lead times. Please contact your DALI representative for more information.

RTF4-3K, RTF4-CC



Delta

Our LED flush mounts incorporate edge-lit technology, eliminating hot spots and glare. With 4 sizes to choose from, every application is covered.

UPGRADE



JA8
CERTIFIED*







*Models CFLEDR06, CFLEDR10, and CFLEDR14 only

Model	Size	Watts	Delivered lumens	LED lumens	CRI	Color °T	Voltage
CFLEDR06-CC	6"	11 W	700 lm	750 lm	90	2700, 3000, 3500, 4000, 5000 K	120 V
CFLEDR10-CC	10"	17 W	1000 lm	1200 lm	90		120 V
CFLEDR14-CC	14"	26 W	1600 lm	2100 lm	90		120 V
CFLEDR18-CC	18"	30 W	2100 lm	2500 lm	90		120 V

Specifications

Integrated dimmable driver
 Over 50,000 hours of service life
 Switch-selectable CCT: 2700 K/
 3000 K/3500 K/4000 K/5000 K in canopy
 Smooth 360° wide spread
 Minimal heat emission
 Frosted lens
 Edge-lit technology
 Cast aluminum construction
 Suitable for wet locations
 Refer to website for dimmer compatibility
 Ideal operating temperature:
 -20° to 40° C
 5-year warranty

Finish

-  **BB** Brushed Brass (CFLED06/10/14)
-  **BK** Black
-  **SN** Satin Nickel
-  **WH** White

Order example

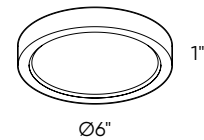
CFLEDR06-CC-SN
 CFLEDR06-CC 6" round ceiling flush
 mount in a satin nickel finish

Note

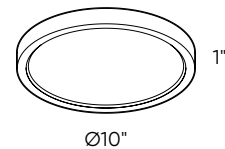
Other Color °T and Finishes available, but may require MOQ's and longer lead times. Please contact your DALs representative for more information.



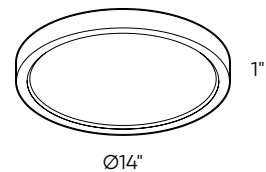
CFLEDR06-CC



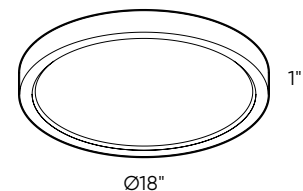
CFLEDR10-CC



CFLEDR14-CC



CFLEDR18-CC



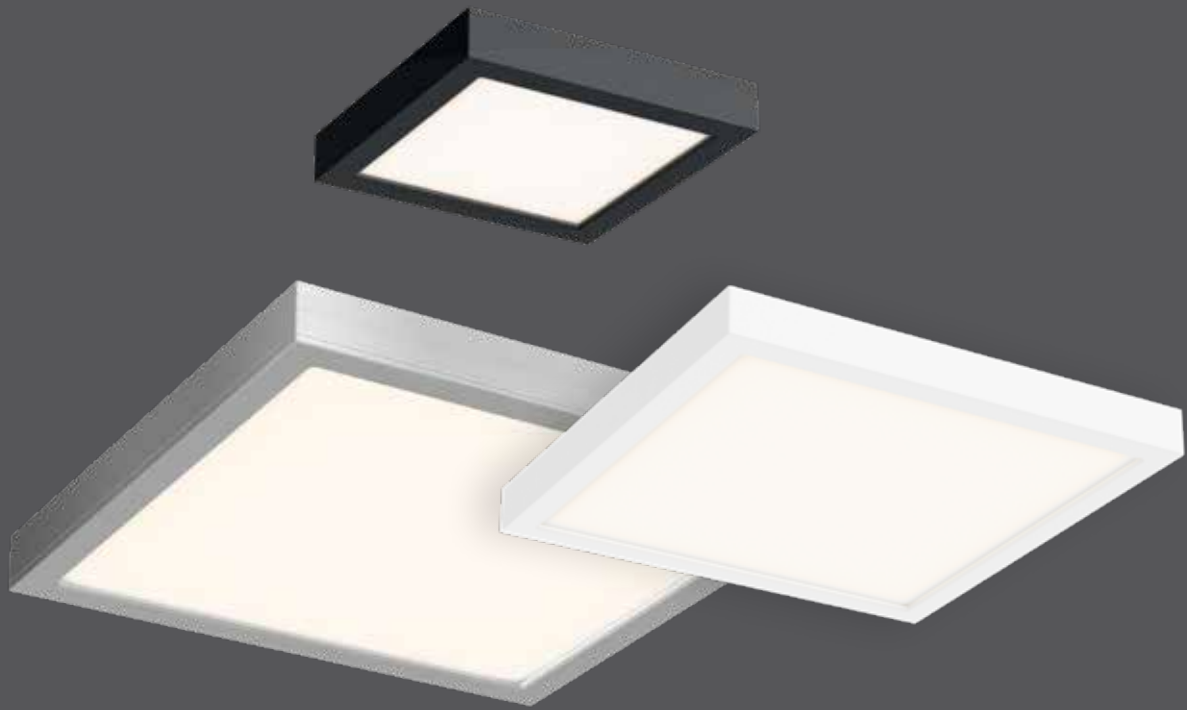
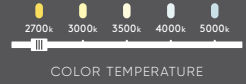
Delta square

Our LED flush mounts incorporate Edge-Lit technology, eliminating hot spots or glare. With 3 sizes to choose from, every application is covered.

UPGRADE



JA8
CERTIFIED*



Model	Size	Watts	Delivered lumens	LED lumens	CRI	Color °T	Voltage
CFLEDSQ06-CC	6"	11 W	700 lm	750 lm	90	2700, 3000, 3500, 4000, 5000 K	120 V
CFLEDSQ10-CC	10"	17 W	1000 lm	1200 lm	90		120 V
CFLEDSQ14-CC	14"	26 W	1600 lm	2100 lm	90		120 V

Specifications

Integrated dimmable driver
 Over 50,000 hours of service life
 Switch-selectable CCT: 2700 K/
 3000 K/3500 K/4000 K/5000 K in canopy
 Smooth 360° wide spread
 Minimal heat emission
 Frosted lens
 Edge-lit technology
 Cast aluminum construction
 Suitable for wet locations
 Refer to website for dimmer compatibility
 Ideal operating temperature:
 -20° to 40° C
 5-year warranty

Finish

- **BK** Black
- **SN** Satin Nickel
- **WH** White

Order example

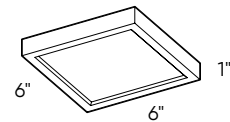
CFLEDSQ06-CC-WH
 CFLEDSQ06 6" square ceiling flush mount
 in a white finish

Note

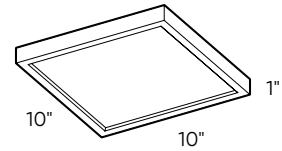
Other Color °T and Finishes available, but
 may require MOQ's and longer lead times.
 Please contact your DALI representative
 for more information.



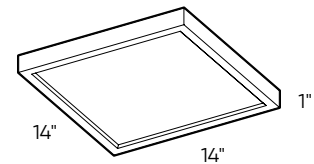
CFLEDSQ06-CC



CFLEDSQ10-CC



CFLEDSQ14-CC



Architect wall

Looking to add to your smart family products? Here is our new smart linear wall sconce. Not only decorative but also practical, this fixture can be controlled with the DALS Connect™ app and is compatible with Google Home and Amazon Alexa. So many options at your fingertips - the possibilities are endless.

NEW



WET



CHANGE COLORS

ADA

COMPLIANT



WiFi



Model	Size	Watts	Delivered lumens	LED lumens	CRI	Color °T	Voltage
SM-LWS19	20.5"	15 W	1130 lm	1245 lm	80+	RGB + 2700 K - 6500 K	120 V

Specifications

Made of extruded aluminum
 Over 50,000 hours of service life
 Full color spectrum
 2700K - 6500K in pure whites
 Dimmable through the Dals Connect app only
 Wall mount on 4" octagonal junction box
 ADA compliant
 Suitable for wet locations
 3-year warranty

Finish

● **BK** Black

Order example

SM-LWS19

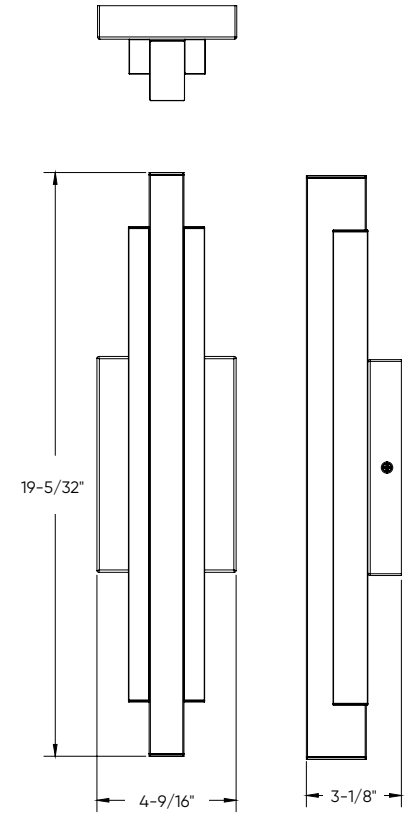
Smart wall mount fixture in a black finish

Download the Dals Connect app

Wi-Fi - no hub needed
 Create groups
 Set schedules
 Remote access
 Compatible with Google Assistant and Amazon Alexa



SM-LWS19



Profile

Love at first sight, guaranteed. This will not only give you up and down lighting but also central through a delicate acrylic opening. Want to adapt your lighting to your environment? No problem. This wall mount has five color temperatures to choose from which makes it ideal for city or country living.

NEW WET

2700k 3000k 3500k 4000k 5000k

COLOR TEMPERATURE

ADA COMPLIANT

ETL Intertek



Model	Size	Watts	Delivered lumens	LED lumens	CRI	Color °T	Voltage
LWJ16-CC	17"	20 W	760 lm	815 lm	90	2700, 3000, 3500, 4000, 5000 K	120 V

Specifications

Made of extruded aluminum
 Fully sealed light engine
 Over 50,000 hours of service life
 Unique up, down, and center lighting output
 Low profile design
 Switch-selectable CCT: 2700 K/3000 K/
 3500 K/4000 K/5000 K
 Superior color consistency
 Integrated dimmable driver
 ADA compliant

Suitable for wet locations
 Refer to website for dimmer compatibility
 Ideal operating temperature:
 -20° to 40° C
 5-year warranty

Finish

- **BK** Black
- **WH** White

Order example

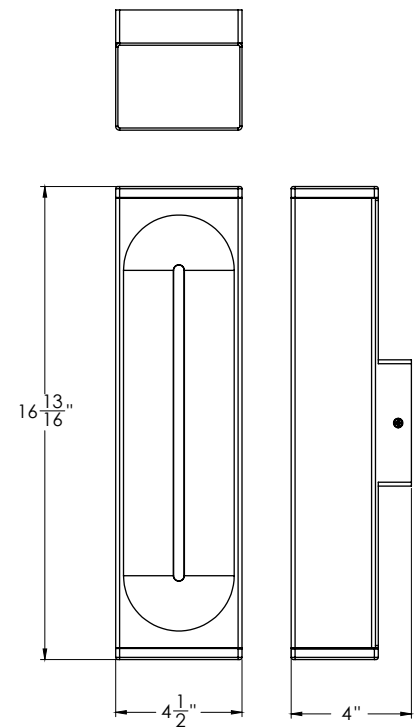
LWJ16-CC-BK
 LWJ16-CC wall mount in a black finish

Note

Other Color °T and Finishes available, but may require MOQ's and longer lead times. Please contact your DALs representative for more information.

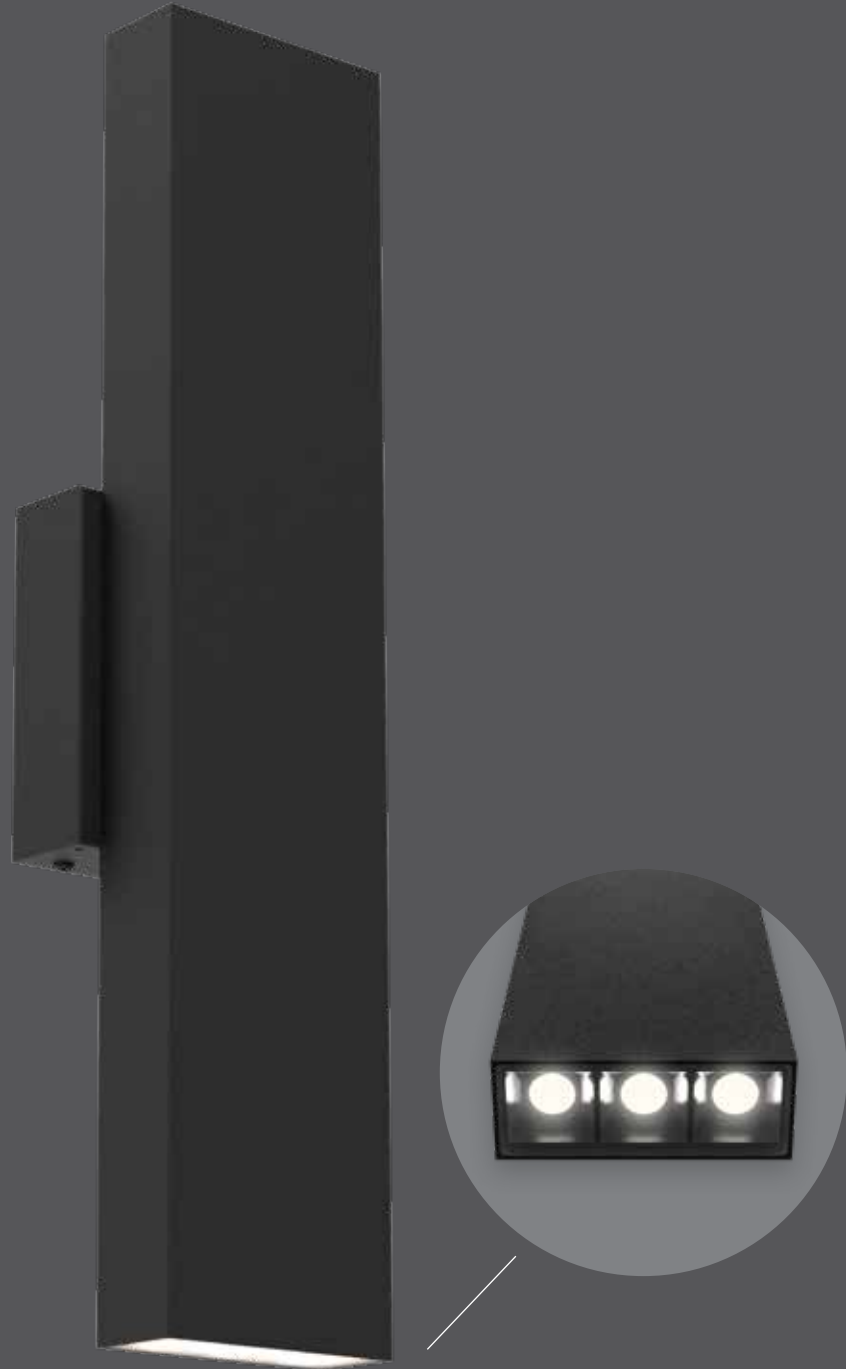


LWJ16-CC



Pinpoint wall

The minimalist design of this fixture will definitely add a touch of sophistication. From classic to modern exteriors to residential or commercial interiors, this sconce is a must see. With its up/down light and less than four inch profile, this is discretion at its finest without compromising on performance.



Model	Size	Watts	Delivered lumens	LED lumens	CRI	Color °T	Voltage
MSLWALL	18"	11 W	810 lm	1200 lm	90	3000 K	120 V

Specifications

Made of extruded aluminum
 Fully sealed light engine
 Over 50,000 hours of service life
 Unique up/down lighting output
 Low profile design
 Warm white light output
 Superior color consistency
 Integrated dimmable driver
 ADA compliant

Suitable for wet locations
 Refer to website for dimmer compatibility
 Ideal operating temperature:
 -20° to 40° C
 5-year warranty

Finish

● **BK** Black

Order example

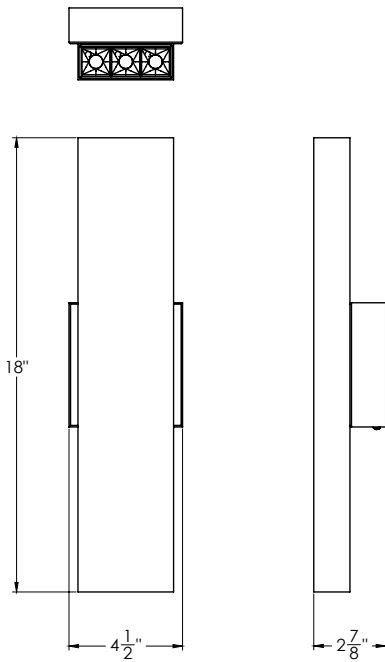
MSLWALL-3K-BK

MSLWALL wall mount in a black finish

Note

Other Color °T and Finishes available, but may require MOQ's and longer lead times. Please contact your DAL'S representative for more information.

MSLWALL



Aden

The key design element of our LED cylinder is the removable lens. This feature allows for three distinctive styles during installation.



ADA
COMPLIANT



JA8
CERTIFIED



Model	Watts	Delivered lumens	LED lumens	CRI	Color °T	Voltage
LEDWALL-A	29 W	2100 lm	2260 lm	90	3000 K	120 V - 277 V

Specifications

Cylindrical housing made of extruded aluminum

Fixture canopy made of die-cast aluminum

LED module mounted on an aluminum heat sink to maximize heat dissipation and extend product life

Cylinder comes with 3 optical options:

- Bright aluminum reflector that provides a 45° beam spread
- Frosted glass lens to allow a wider beam spread
- Die-cast aluminum cap to allow a down light only version

Compatible with TRIAC, ELV and 0-10 V dimmers

The LED board is sealed with a clear tempered glass lens to ensure weatherproof operation

Baked powder paint coat for a highly durable finish

Integrated dimmable driver

JA8 certified

ENERGY STAR certified

ADA compliant

Suitable for wet locations

Refer to website for dimmer compatibility

Ideal operating temperature:

-20° to 40° C

5-year warranty

Finish

- **BK** Black
- **SG** Silver grey
- **WH** White

Order example

LEDWALL-A-BK

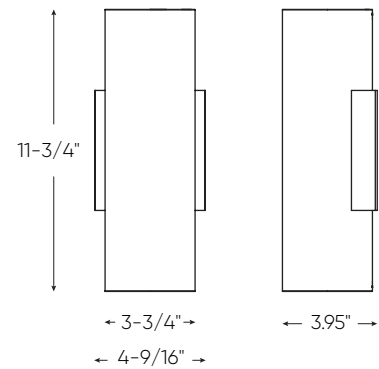
LEDWALL-A LED cylinder in a black finish

Note

Other Color °T and Finishes available, but may require MOQ's and longer lead times. Please contact your DALs representative for more information.



LEDWALL-A



Brooklyn

The key design element of our LED wall mount is the removable lens. This feature allows for three distinctive styles during installation.



ADA
COMPLIANT



JA8
CERTIFIED



Model	Watts	Delivered lumens	LED lumens	CRI	Color °T	Voltage
LEDWALL-B	29 W	2100 lm	2260 lm	90	3000 K	120 V – 277 V

Specifications

Square housing made of extruded aluminum

Fixture canopy made of die-cast aluminum

LED module is mounted on an aluminum heat sink to maximize heat dissipation and extend product life

The square wall mount comes with 3 optical options:

- Bright aluminum reflector that provides a 45° beam spread
- Frosted glass lens to allow a wider beam spread
- Die-caster aluminum cap to allow a down only version

Compatible with TRIAC, ELV and 0-10 V dimmers

The LED board is sealed with a clear tempered glass lens to assure weatherproof operation

Baked powder paint coat for a highly durable finish

Integrated dimmable driver

JA8 certified

ENERGY STAR certified

ADA compliant

Suitable for wet locations

Refer to website for dimmer compatibility

Ideal operating temperature:

-20° to 40° C

5-year warranty

Finish

- **BK** Black
- **SG** Silver grey
- **WH** White

Order example

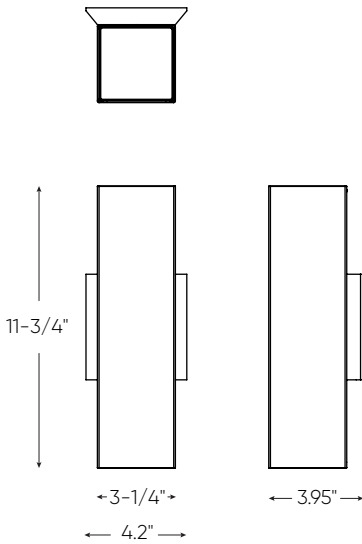
LEDWALL-B-SG

LEDWALL-B square LED wall mount in a silver grey finish

Note

Other Color °T and Finishes available, but may require MOQ's and longer lead times. Please contact your DALs representative for more information.

LEDWALL-B



Durban

With a unique front panel design, our LED wall mount combines functionality with creativity. This type of fixture is ideal for high-end residential applications.



Model	Watts	Delivered lumens	LED lumens	CRI	Color °T	Voltage
LEDWALL-D	14 W	250 lm	1460 lm	80	3000 K	120 V

Specifications

Over 50,000 hours of service life
 Made of extruded aluminum
 Warm white light output
 Unique light pattern
 Low energy consumption
 Warm white light output
 Superior color consistency
 Integrated dimmable driver
 Galvanized steel mounting plate
 ADA compliant
 Suitable for wet locations
 Refer to website for dimmer compatibility
 Ideal operating temperature:
 -20° to 40° C
 5-year warranty

Finish

● **BK** Black

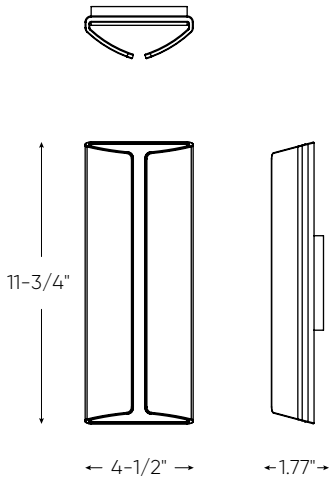
Order example

LEDWALL-D-BK
 LEDWALL-D wall mount in a black finish

Note

Other Color °T and Finishes available, but may require MOQ's and longer lead times. Please contact your DALs representative for more information.

LEDWALL-D



Edinburgh

European inspiration is made prevalent in this LED wall mount. Indirect lighting allows for a uniform and even light output that will enhance every application.



ADA
COMPLIANT






Model	Watts	Delivered lumens	LED lumens	CRI	Color °T	Voltage
LEDWALL-E	16 W	870 lm	1200 lm	90	3000 K	120 V

Specifications

Made of extruded aluminum
 Fully sealed light engine
 Over 50,000 hours of service life
 Unique up and down lighting output
 Low profile design
 Warm white light output
 Superior color consistency
 Integrated dimmable driver
 ADA compliant

Suitable for wet locations
 Refer to website for dimmer compatibility
 Ideal operating temperature:
 -20° to 40° C
 5-year warranty

Finish

-  **BK/GD** Black, gold interior
-  **SG** Silver grey
-  **WH** White

Order example

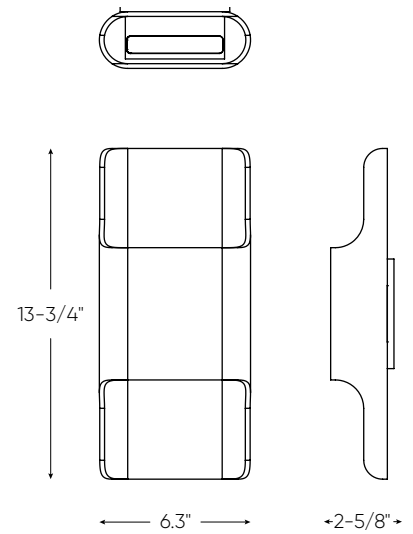
LEDWALL-E-WH
 LEDWALL-E wall mount in a white finish

Note

Other Color °T and Finishes available, but may require MOQ's and longer lead times. Please contact your DALs representative for more information.

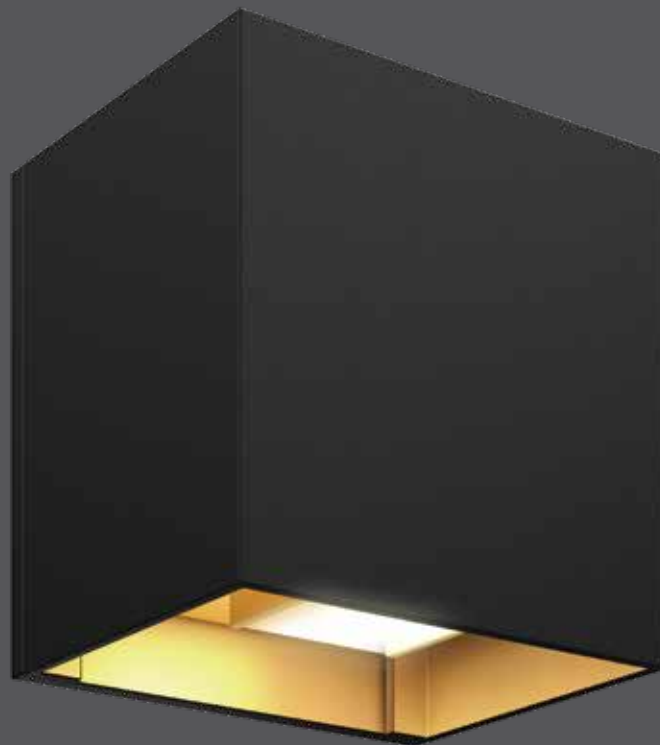


LEDWALL-E



Geneva

Imagine being able to manually control the amount of light spread coming from both the top and bottom of your lighting fixture. This is now possible with our LED wall mount.



Model	Watts	Delivered lumens	LED lumens	CRI	Color °T	Voltage
LEDWALL-G	8 W	450 lm	600 lm	90	3000 K	120 V

Specifications

Made of extruded aluminum
 Over 50,000 hours of service life
 Separately adjustable up and down lighting
 Easily adjustable lighting angle from 0° to 92°
 Low power consumption
 Superior color consistency
 Directional lighting
 Integrated dimmable driver
 ADA compliant
 Suitable for wet locations
 Refer to website for dimmer compatibility
 Ideal operating temperature: -20° to 40° C
 5-year warranty

Finish

-  **BG** Black, gold interior
-  **BK** Black
-  **BR** Bronze
-  **SG** Silver grey

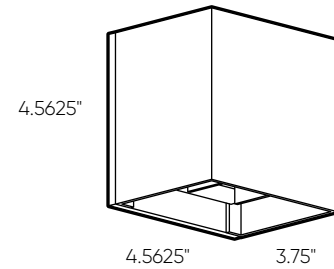
Order example

LEDWALL-G-BG
 Dimmable LEDWALL-G wall mount in a black finish with gold interior

Note

Other Color °T and Finishes available, but may require MOQ's and longer lead times. Please contact your DALs representative for more information.

LEDWALL-G



Harlow

This distinctive LED wall-mounted sconce permeates a gentle multi-directional light. Its unique geometric shape and robust design will provide a dramatic flare to any indoor/outdoor space. Ideal for residential and commercial projects, its warm splashes of light create an impressive architectural and alluring touch.

UPGRADE



ADA
COMPLIANT



Model	Watts	Delivered lumens	LED lumens	CRI	Color °T	Voltage
LEDWALL-H	15 W	900 lm	1000 lm	90	3000 K	120 V

Specifications

Made of extruded aluminum
 Fully sealed light engine
 Over 50,000 hours of service life
 Unique up and down lighting output
 Low profile design
 Warm white light output
 Superior color consistency
 Integrated dimmable driver
 ADA compliant
 Suitable for wet locations
 Refer to website for dimmer compatibility
 Ideal operating temperature:
 -20° to 40° C
 5-year warranty

Finish

- **BK** Black
- **SG** Silver grey
- **WH** White

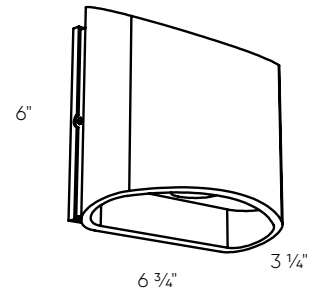
Order example

LEDWALL-H-SG
 Dimmable LEDWALL-H wall mount
 in a silver grey finish

Note

Other Color °T and Finishes available, but may require MOQ's and longer lead times. Please contact your DALs representative for more information.

LEDWALL-H

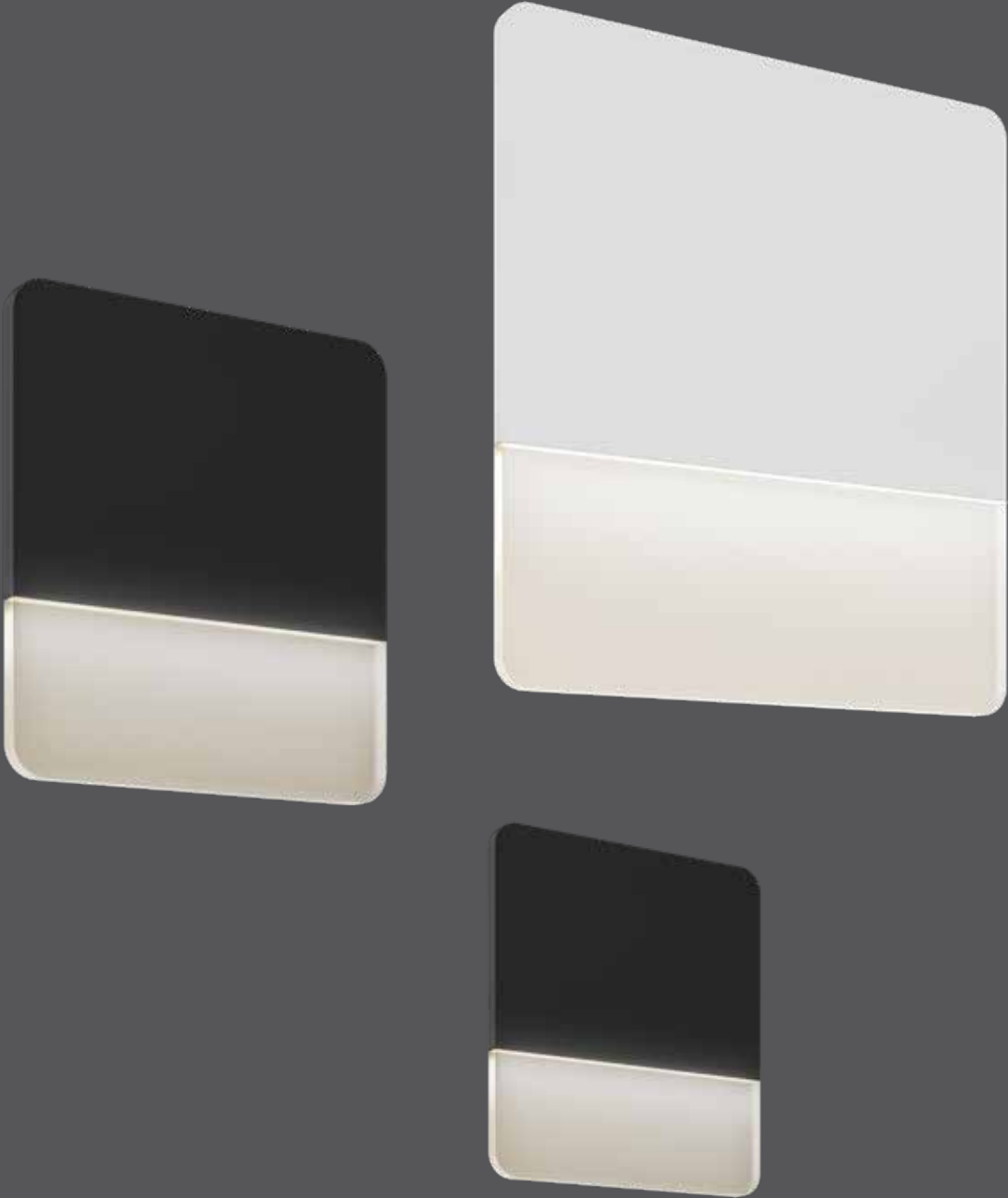


Alto

The SQS blends light functionality with an opportunity for artistic creation. Combine multiple fixtures to create infinite compositions or simply use alone, the choice is yours.



ADA
COMPLIANT



Model	Watts	Delivered lumens	LED lumens	CRI	Color °T	Voltage
SQS06	8 W	500 lm	750 lm	90	3000 K	120 V
SQS10	13 W	940 lm	1200 lm	90	3000 K	120 V
SQS15	22.5 W	1590 lm	2112 lm	90	3000 K	120 V

Specifications

Cast aluminum construction
 Fully sealed light engine
 Over 50,000 hours of service life
 Low profile design
 Warm white light output
 Superior color consistency
 Integrated dimmable driver
 ADA compliant
 Suitable for wet locations
 Refer to website for dimmer compatibility
 Ideal operating temperature:
 -20° to 40° C
 5-year warranty

Finish

- **BK** Black
- **WH** White

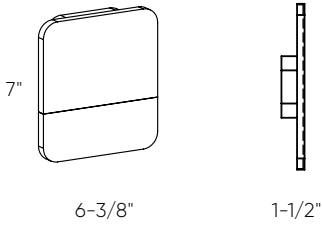
Order example

SQS10-3K-BK
 Dimmable 10" SQS wall mount
 in a black finish

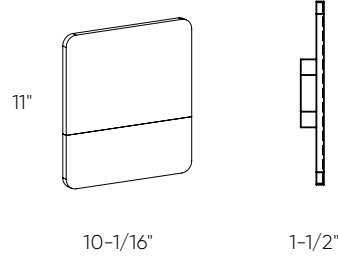
Note

Other Color °T and Finishes available, but may require MOQ's and longer lead times. Please contact your DALs representative for more information.

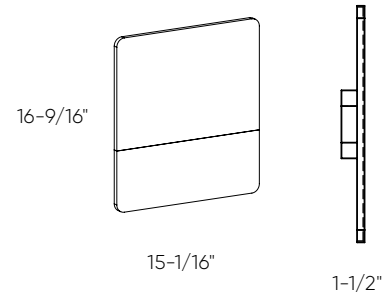
SQS06



SQS10



SQS15



Cubix

Imagine being able to manually control the amount of light spread coming out from both the top and bottom of your lighting fixture. This is now possible with our LED wall mount.



Model	Watts	Delivered lumens	LED lumens	CRI	Color °T	Voltage
LEDWALL001D	7 W	540 lm	600 lm	90	3000 K	120 V

Specifications

Over 50,000 hours of service life
 Cast aluminum construction
 Warm white light output
 Up and down lighting
 Easily adjustable lighting angle from 0° to 92°
 Low power consumption
 Superior color consistency
 Directional lighting
 Integrated dimmable driver
 Suitable for wet locations
 Refer to website for dimmer compatibility
 Ideal operating temperature:
 -20° to 40° C
 5-year warranty

Finish

- **BK** Black
- **SG** Silver grey
- **WH** White

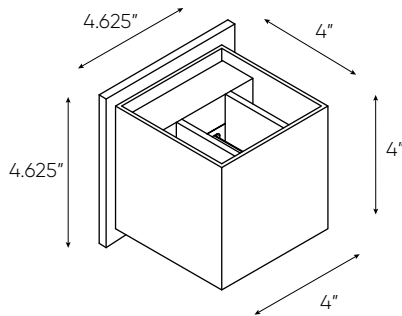
Order example

LEDWALL001D-BK
 Dimmable LEDWALL001D wall mount in a black finish

Note

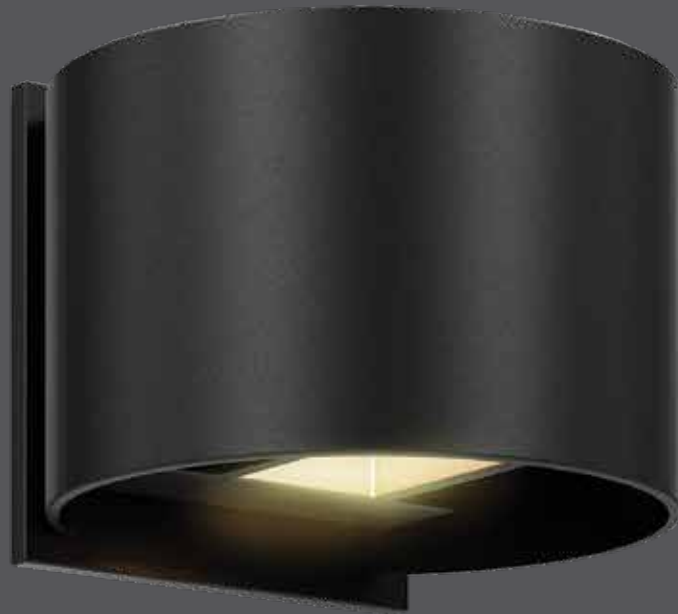
Other Color °T and Finishes available, but may require MOQ's and longer lead times. Please contact your DALs representative for more information.

LEDWALL001D



Rondo

This innovative sleek designed LED wall mount provides the perfect solution for your lighting needs. By adjusting the directional panels, you can create the most original effect in your setting.



Model	Watts	Delivered lumens	LED lumens	CRI	Color °T	Voltage
LEDWALL002D	7 W	540 lm	600 lm	90	3000 K	120 V

Specifications

Over 50,000 hours of service life
 Cast aluminum construction
 Warm white light output
 Up and down lighting
 Easily adjustable lighting angle from 0° to 92°
 Low power consumption
 Superior color consistency
 Directional lighting
 Integrated dimmable driver
 Suitable for wet locations
 Refer to website for dimmer compatibility
 Ideal operating temperature: -20° to 40° C
 5-year warranty

Finish

● **BK** Black

Order example

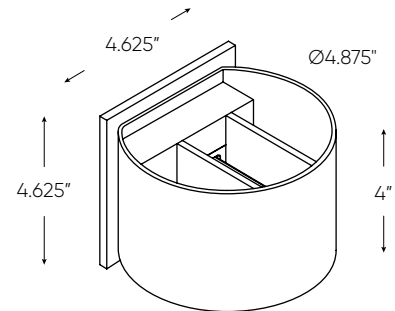
LEDWALL002D-BK
 Dimmable LEDWALL002D wall mount in a black finish

Note

Other Color °T and Finishes available, but may require MOQ's and longer lead times. Please contact your DALs representative for more information.



LEDWALL002D



Marquee

Inspiration will come in abundance once you try our LED accent step lights. Use them outdoors on your deck or on the stairs inside your home. You will be truly impressed by the effect!



Model	Watts	Delivered lumens	LED lumens	CRI	Color °T	Voltage
LEDSTEP001D	3 W	90 lm	205 lm	80	3000 K	120 V

Specifications

Die-cast aluminum housing
 Over 50,000 hours of service life
 Warm white light output
 Optimized light spread
 Low power consumption
 Excellent color rendering
 Superior light color consistency
 Aesthetic profile
 Dimmable
 Install in standard electrical junction box
 Suitable for wet locations
 Refer to website for dimmer compatibility
 Ideal operating temperature:
 -20° to 40° C
 5-year warranty

Finish

- **BK** Black
- **SG** Silver grey
- **WH** White

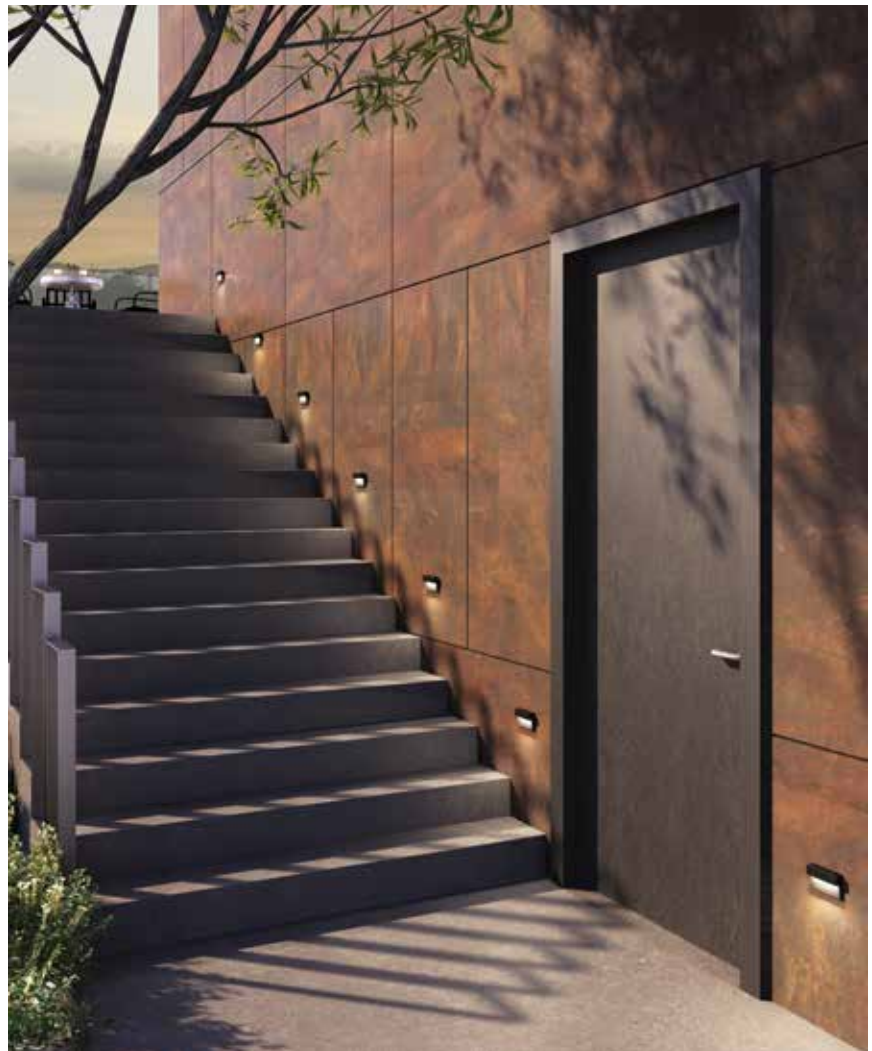
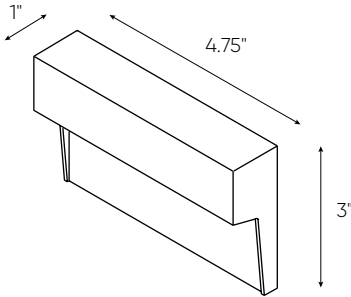
Note

Other Color °T and Finishes available, but may require MOQ's and longer lead times. Please contact your DALs representative for more information.

Order example

LEDSTEP001D-BK
 Dimmable LEDSTEP001D step light in a black finish

LEDSTEP001D



Echo



Inspiration will come in abundance once you try our LED accent step lights. Use them outdoors on your deck or on the stairs inside your home. You will be truly impressed by the effect!



Model	Watts	Delivered lumens	LED lumens	CRI	Color °T	Voltage
LEDSTEP002D	3 W	70 lm	285 lm	80	3000 K	120 V

Specifications

Die-cast aluminum housing
 Over 50,000 hours of service life
 Warm white light output
 Optimized light spread
 Low power consumption
 Excellent color rendering
 Superior light color consistency
 Aesthetic profile
 Dimmable
 Install in standard electrical junction box
 Suitable for wet locations
 Refer to website for dimmer compatibility
 Ideal operating temperature:
 -20° to 40° C
 5-year warranty

Finish

- **BK** Black
- **SG** Silver grey
- **WH** White

Order example

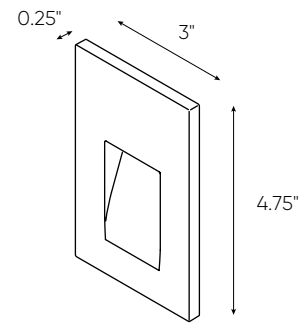
LEDSTEP002D-WH
 Dimmable LEDSTEP002D step light
 in a white finish

Note

Other Color °T and Finishes available, but may require MOQ's and longer lead times. Please contact your DALs representative for more information.



LEDSTEP002D



Pearl

The simplicity of this design allows for the highest level of flexibility when choosing your application. Light glowing from all directions creates the perfect ambiance for every setting



Model	Watts	Delivered lumens	LED lumens	CRI	Color °T	Voltage
LEDSTEP004D	3 W	40 lm	285 lm	80	3000 K	120 V

Specifications

Die-cast aluminum housing
 Over 50,000 hours of service life
 Warm white light output
 Optimized light spread
 Low power consumption
 Excellent color rendering
 Superior light color consistency
 Aesthetic profile
 Dimmable
 Includes a junction box approved for concrete applications
 Suitable for wet locations
 Refer to website for dimmer compatibility
 Ideal operating temperature:
 -20° to 40° C
 5-year warranty

Finish

- **BK** Black
- **WH** White

Order example

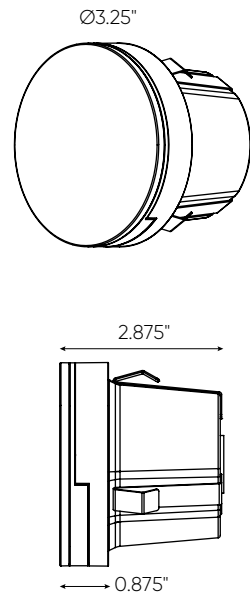
LEDSTEP004D-BK
 Dimmable LEDSTEP004D
 step light in a black finish

Note

Other Color °T and Finishes available, but may require MOQ's and longer lead times. Please contact your DALs representative for more information.



LEDSTEP004D



Camber

The innovation of this design comes from its recessed installation. This step light will be perfectly integrated into stairs and can also be used on decks.



Model	Watts	Delivered lumens	LED lumens	CRI	Color °T	Voltage
LEDSTEP005D	3 W	100 lm	285 lm	80	3000 K	120 V

Specifications

Die-cast aluminum housing
 Over 50,000 hours of service life
 Warm white light output
 Optimized light spread
 Low power consumption
 Excellent color rendering
 Superior light color consistency
 Aesthetic profile
 Install in standard electrical junction box
 Dimmable
 Suitable for wet locations
 Refer to website for dimmer compatibility
 Ideal operating temperature:
 -20° to 40° C
 5-year warranty

Finish

- **BK** Black
- **BR** Bronze
- **SG** Silver grey
- **WH** White

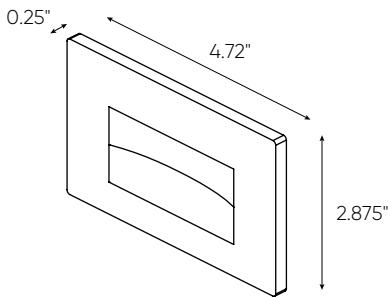
Note

Other Color °T and Finishes available, but may require MOQ's and longer lead times. Please contact your DALs representative for more information.

Order example

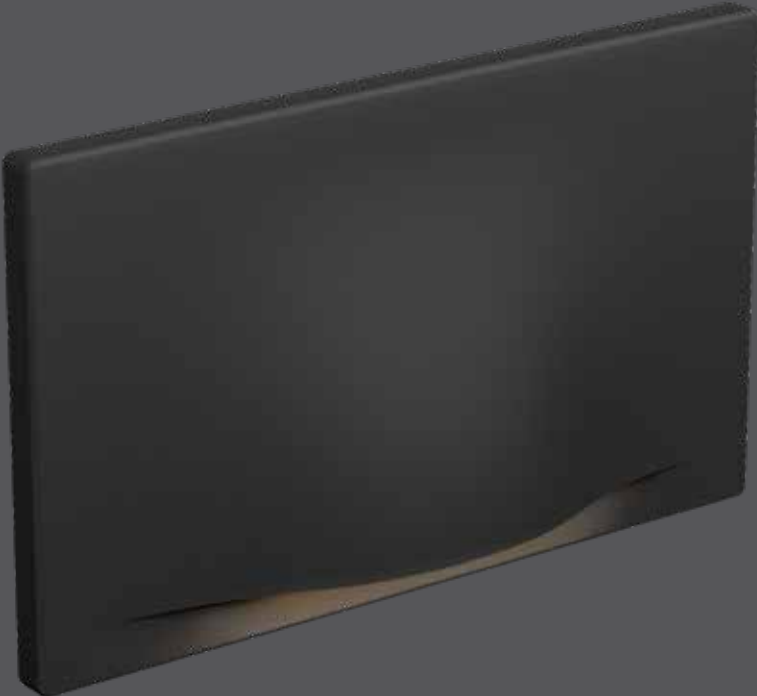
LEDSTEP005D-WH
 Dimmable LEDSTEP005D step light in a white finish

LEDSTEP005D



Arc

The innovation of this design comes from its recessed installation. This step light will be perfectly integrated into stairs and can also be used on decks.



Model	Watts	Delivered lumens	LED lumens	CRI	Color °T	Voltage
LEDSTEP006D	3 W	120 lm	285 lm	80	3000 K	120 V

Specifications

Die-cast aluminum housing
 Over 50,000 hours of service life
 Warm white light output
 Optimized light spread
 Low power consumption
 Excellent color rendering
 Superior light color consistency
 Aesthetic profile
 Dimmable
 Install in standard electrical junction box
 Suitable for wet locations
 Refer to website for dimmer compatibility
 Ideal operating temperature:
 -20° to 40° C
 5-year warranty

Finish

- **BK** Black
- **SG** Silver grey
- **WH** White

Order example

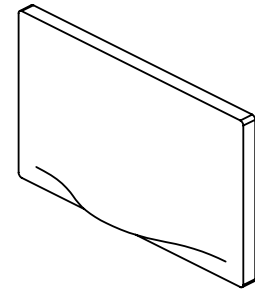
LEDSTEP006D-WH
 Dimmable LEDSTEP006D step light
 in a white finish

Note

Other Color °T and Finishes available, but may require MOQ's and longer lead times. Please contact your DALs representative for more information.



LEDSTEP006D



Etch Pro

With reduced glare and a sleek and minimal construction, the Dals Connect Pro recessed panel lights will be a great addition to any project. Connect 100+ devices through Bluetooth, create groups, set schedules and select from a wide range of colors, all possible with the DALS Connect App™.



Model	Size	Watts	Delivered lumens	CRI	Color °T	Voltage
DCP-DDP4WH	4"	15 W	1000 lm	90	RGB + 2700 K - 6500 K	120 V
DCP-DDP6WH	6"	20 W	1500 lm	90	RGB + 2700 K - 6500 K	120 V

Specifications

Includes a junction box with integrated driver
 Over 50,000 hours of service life
 Full color spectrum
 2700K - 6500K in pure whites
 125° beam angle
 Dimmable through the Dals Connect app only
 Bluetooth mesh technology
 Minimal heat emission
 Aluminum construction
 Regressed light source
 Suitable for wet locations
 3-year warranty

Note

Add the DALS Connect Pro Hub for even greater flexibility: voice control, remote access, expanded mesh network, ability to connect 128 devices per Hub.

Finish

WH White

Order example

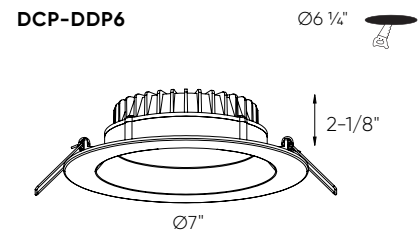
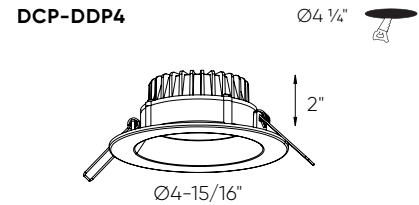
DCP-DDP4WH
 4" RGB+CCT smart Bluetooth fixture with embedded smart module which you can control with your smartphone

Download the Dals Connect app

Create groups
 Set schedules
 Remote access*
 Compatible with Google Assistant and Amazon Alexa*



*Hub needed



Excel Pro

The Dals Connect Pro panel lights will be a great addition to any project. Connect 100+ devices through Bluetooth, create groups, set schedules and select from a wide range of colors, all possible with the DALS Connect App™.



Model	Size	Watts	Delivered lumens	CRI	Color °T	Voltage
DCP-PNL4WH	4"	14 W	750 lm	90	RGB + 2700 K - 6500 K	120 V
DCP-PNL6WH	6"	20 W	1200 lm	90	RGB + 2700 K - 6500 K	120 V

Specifications

Includes a junction box with integrated driver
 Over 50,000 hours of service life
 Full color spectrum
 2700K - 6500K in pure whites
 Dimmable through the Dals Connect app only
 Bluetooth mesh technology
 Minimal heat emission
 Aluminum construction
 Suitable for wet locations
 3-year warranty

Finish

WH White

Order example

DCP-PNL4WH
 4" RGB+CCT smart Bluetooth fixture with embedded smart module which you can control with your smartphone

Note

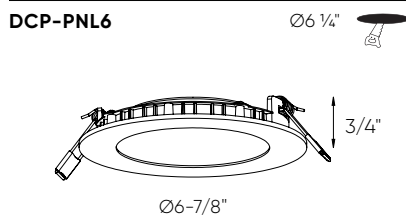
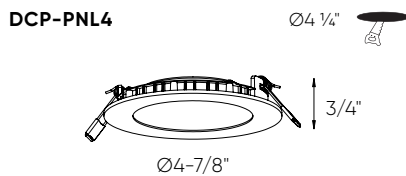
Add the DALS Connect Pro Hub for even greater flexibility: voice control, remote access, expanded mesh network, ability to connect 128 devices per Hub.

Download the Dals Connect app

Create groups
 Set schedules
 Remote access*
 Compatible with Google Assistant and Amazon Alexa*



*Hub needed



A21 Pro

Enter the world of Smart lighting with our array of dimmable LED Bluetooth controlled bulbs that emit a full spectrum of vibrant colors or tunable pure whites ranging from 2700 to 6500 K.



Model	Size	Watts	Delivered lumens	CRI	Color °T	Voltage
DCP-BLBA21	A21	12 W	1100 lm	90	RGB + 2700 K - 6500 K	120 V

Specifications

Excellent color rendering
 Full color spectrum
 2700K - 6500K in pure whites
 Superior LED performance and lifespan
 Minimal heat emission
 Suitable for enclosed fixtures
 Bluetooth mesh technology
 Dimmable through the Dals Connect app
 Over 50,000 hours of service life
 Suitable for wet locations
 3-year warranty

Finish

WH White

Order example

DCP-BLBA21

RGB+CCT smart bulb with embedded smart module which you can control with your smartphone

Note

Add the DALS Connect Pro Hub for even greater flexibility: voice control, remote access, expanded mesh network, ability to connect 128 devices per Hub.

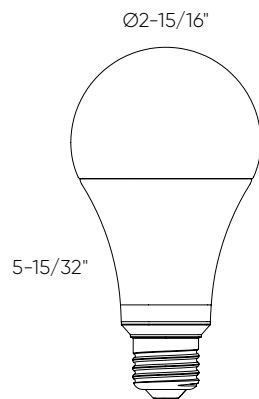
Download the Dals Connect app

Create groups
 Set schedules
 Remote access*
 Compatible with Google Assistant and Amazon Alexa*



*Hub needed

DCP-BLBA21



BR30 Pro

Enter the world of Smart lighting with our array of dimmable LED Bluetooth controlled bulbs that emit a full spectrum of vibrant colors or tunable pure whites ranging from 2700 to 6500 K.



Model	Size	Watts	Delivered lumens	CRI	Color °T	Voltage
DCP-BLBBR30	BR30	12 W	1200 lm	90	RGB + 2700 K - 6500 K	120 V

Specifications

Excellent color rendering
 Full color spectrum
 2700K - 6500K in pure whites
 Superior LED performance and lifespan
 Minimal heat emission
 Bluetooth mesh technology
 Dimmable through the Dals Connect app
 Over 50,000 hours of service life
 Suitable for wet locations
 3-year warranty

Finish

WH White

Order example

DCP-BLBBR30
 RGB+CCT smart bulb with embedded smart module which you can control with your smartphone

Note

Add the DALS Connect Pro Hub for even greater flexibility: voice control, remote access, expanded mesh network, ability to connect 128 devices per Hub.

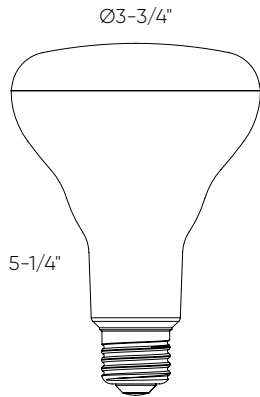
Download the Dals Connect app

Create groups
 Set schedules
 Remote access*
 Compatible with Google Assistant and Amazon Alexa*



* Hub needed

DCP-BLBBR30



Architect wall

Looking to add to your smart family products? Here is our new smart linear wall sconce. Not only decorative but also practical, this fixture can be controlled with the DALS Connect™ app and is compatible with Google Home and Amazon Alexa. So many options at your fingertips - the possibilities are endless.

NEW



WET



CHANGE COLORS

ADA

COMPLIANT



Intertek

WiFi



Model	Size	Watts	Delivered lumens	LED lumens	CRI	Color °T	Voltage
SM-LWS19	20.5"	15 W	1130 lm	1245 lm	80+	RGB + 2700 K - 6500 K	120 V

Specifications

Made of extruded aluminum
 Over 50,000 hours of service life
 Full color spectrum
 2700K - 6500K in pure whites
 Dimmable through the Dals Connect app only
 Wall mount on 4" octagonal junction box
 ADA compliant
 Suitable for wet locations
 3-year warranty

Finish

● **BK** Black

Order example

SM-LWS19

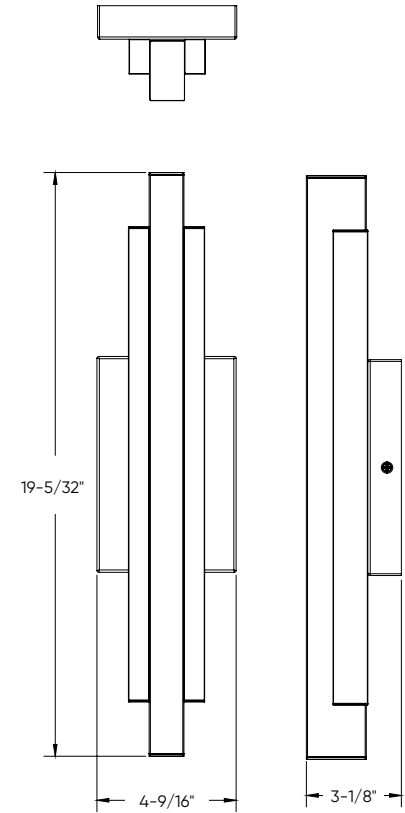
Smart wall mount fixture in a black finish

Download the Dals Connect app

Wi-Fi - no hub needed
 Create groups
 Set schedules
 Remote access
 Compatible with Google Assistant and Amazon Alexa



SM-LWS19



Smart outdoor tape

Bringing fun outdoors is made easy with our smart outdoor tape and the new DALI Connect App™.



WET



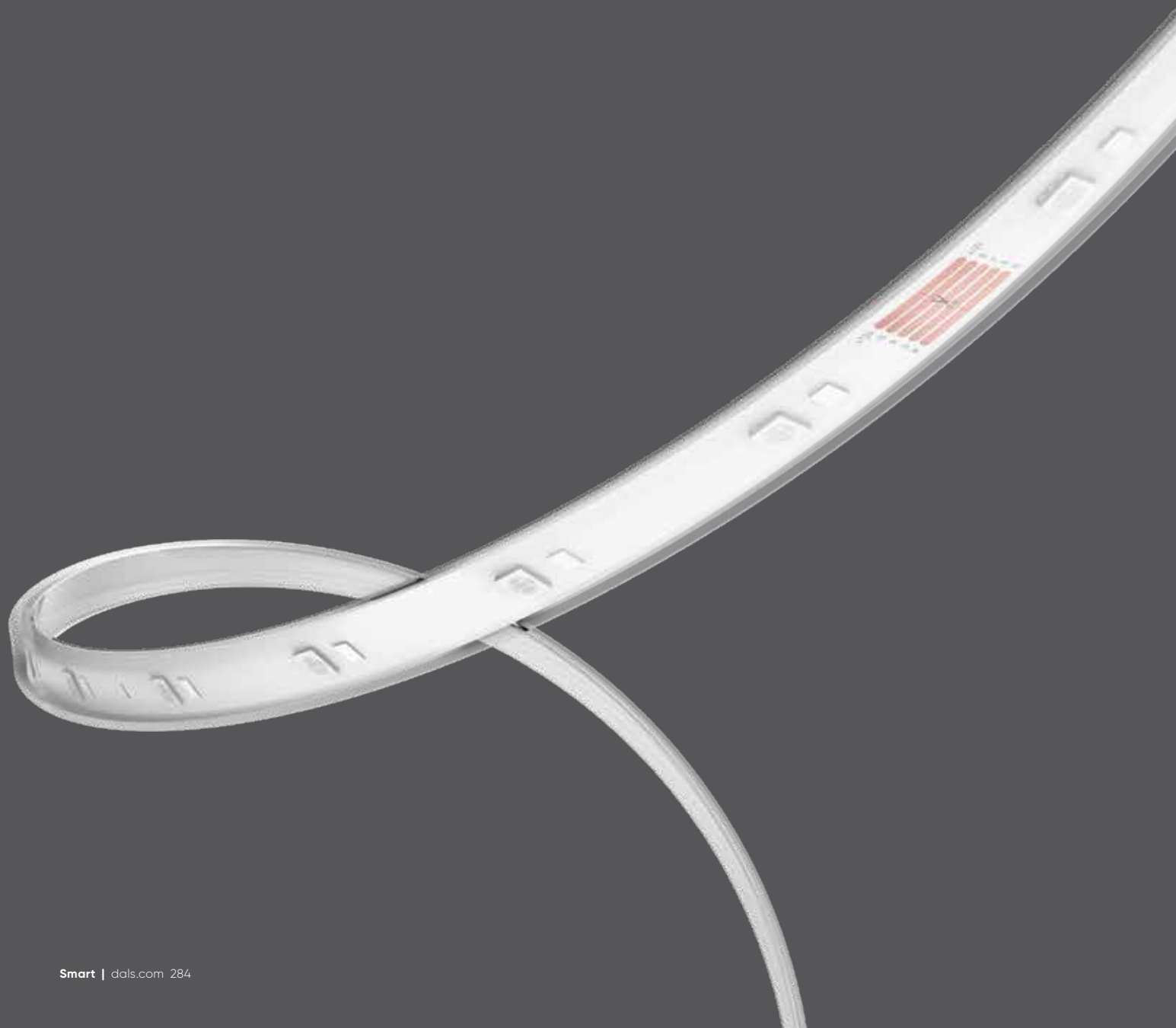
CHANGE COLORS



WiFi



Intertek



Model	Description	Watts	Delivered lumens	CRI	Color °T	Voltage
SM-OTP24FT	24' flexible LED strip	15 W	1500 lm	80+	RGB + 2700 K - 6500 K	24 V
SM-OTPA8FT	8' flexible LED strip	5 W	1500 lm	80+	RGB + 2700 K - 6500 K	24 V

Specifications

Suitable for wet locations
 Excellent color rendering
 Full color spectrum
 2700K - 6500K in pure whites
 Superior LED performance and lifespan
 Minimal heat emission
 Dimmable through the Dals Connect app
 Over 50,000 hours of service life
 3-year warranty

Accessories

- SM-OTPA8FT**
8' RGB+CCT outdoor tape extension
- SM-OTPA8FTW**
Wi-Fi module controller & remote for smart outdoor tape
- SM-OTPA8FTY24**
24 in. "Y" splitter for smart outdoor tape
- SM-OTPEXT60**
60 in. extension for smart outdoor tape

Order example

SM-OTP24FT
 24 ft RGB+CCT indoor/outdoor tape kit that includes a Wi-Fi-enabled controller which you can control with your smartphone or the infrared remote supplied with the kit

Download the Dals Connect app

Wi-Fi - no hub needed
 Create groups
 Set schedules
 Remote access
 Compatible with Google Assistant and Amazon Alexa



SM-OTP24FT 24 ft



Spot

This durable, fully sealed 12V LED landscape Spot is constructed of solid aluminum. It includes an integrated LED module that emits a cool, natural, or warm white light in a narrow beam pattern, all selectable with a 5CCT switch. Can be rotated 180° and equipped with a glare shield for pinpoint accuracy. The landscape spotlight is great for gardens, tree uplighting, architectural lighting, and more.

NEW

2700k 3000k 3500k 4000k 5000k

COLOR TEMPERATURE

180° SWIVEL

WET

ETL Intertek



Model	Size	Watts	Delivered lumens	CRI	Color °T	Voltage
LSP3-CC	3"	10 W	500 lm	80	2700, 3000, 3500,	12 VAC
LSP4-CC	4"	20 W	1000 lm	80	4000, 5000 K	12 VAC

Specifications

Over 50,000 hours of service life
 12VAC input
 Ground stake included
 95° beam angle
 180° swiveling head
 Frosted lens
 Cast aluminum construction
 Switch-selectable CCT: 2700 K/3000 K/
 3500 K/4000 K/5000 K
 Easy-access CCT switch on
 back of spot
 Suitable for wet locations
 5-year warranty

Finish

● **BK** Black

Power supplies

LTRP-60-BK

60W, 120VAC 60Hz input
 12VAC output low-voltage transformer

LTR-300-BK

300W, 120VAC 60Hz input
 12/13/14/15VAC output low-voltage
 transformer

Note

Low-voltage transformer required.
 Sold separately.

Other Color °T and Finishes available, but
 may require MOQ's and longer lead times.
 Please contact your DALs representative
 for more information.

Order example

LSP3-CC-BK

3" landscape spotlight with 500 lumens
 at 3000K in a black finish

Accessories

LAN-ACC-MS

6 3/4" metal ground stake

LSP-EXT04

4" extension arm

LCBL-50-16

50 feet of 16 gauge low-voltage wiring

LCBL-100-16

100 feet of 16 gauge low-voltage wiring

LCBL-50-14

50 feet of 14 gauge low-voltage wiring

LCBL-100-14

100 feet of 14 gauge low-voltage wiring

LCBL-50-12

50 feet of 12 gauge low-voltage wiring

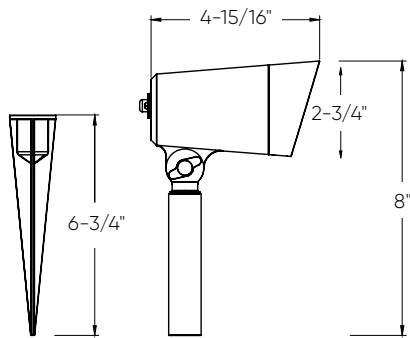
LCBL-100-12

100 feet of 12 gauge low-voltage wiring

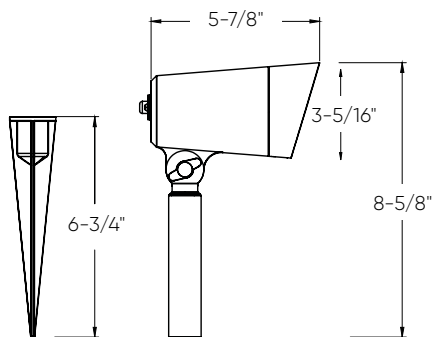
LSP-WM

Spotlight wall mount adapter

LSP3-CC



LSP4-CC



Flux

Add visual interest to your garden with the Flux outdoor path light. A 360° light spread and cast aluminum construction with a powder-coated finish fits best along pathways, garden beds, and walkways.



Model	Size	Watts	Delivered lumens	CRI	Color °T	Voltage
LPP20-3K	20"	8 W	360 lm	80	3000 K	12 VAC

Specifications

Over 50,000 hours of service life
 12VAC input
 Ground stake included
 93° beam angle
 Frosted lens
 Can be mounted to wood or concrete (screws not included)
 Cast aluminum construction
 Suitable for wet locations
 5-year warranty

Note

Low-voltage transformer required.
 Sold separately.

Other Color °T and Finishes available, but may require MOQ's and longer lead times. Please contact your DALs representative for more information.

Finish

● **BK** Black

Power supplies

LTRP-60-BK

60W, 120VAC 60Hz input
 12VAC output low-voltage transformer

LTR-300-BK

300W, 120VAC 60Hz input
 12/13/14/15VAC output low-voltage transformer

Accessories

LCBL-50-16

50 feet of 16 gauge low-voltage wiring

LCBL-100-16

100 feet of 16 gauge low-voltage wiring

LCBL-50-14

50 feet of 14 gauge low-voltage wiring

LCBL-100-14

100 feet of 14 gauge low-voltage wiring

LCBL-50-12

50 feet of 12 gauge low-voltage wiring

LCBL-100-12

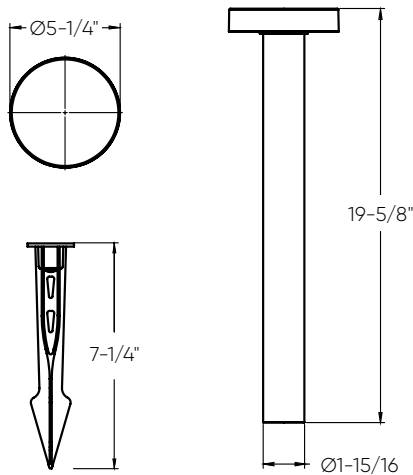
100 feet of 12 gauge low-voltage wiring

Order example

LPP20-3K-BK

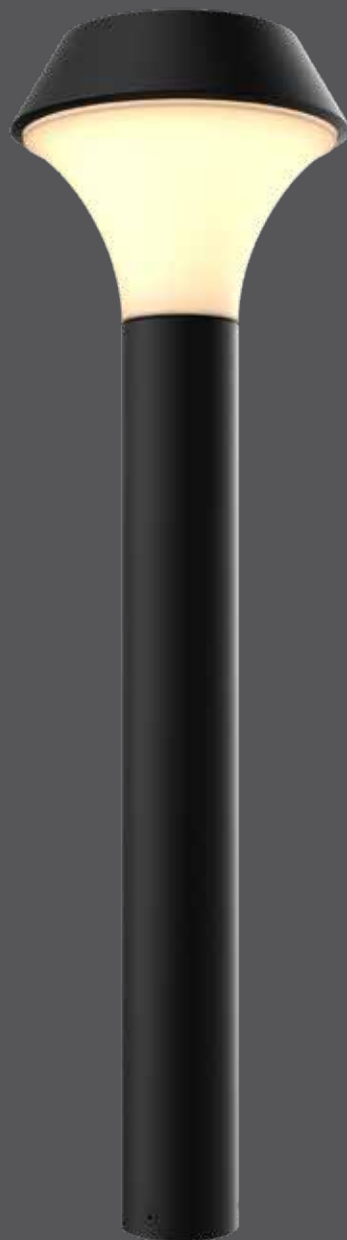
20" landscape path light with 360 lumens at 3000K in a black finish

LPP20



Beacon

The Beacon, a minimal light that creates a big impact. Light up garden beds, walkways, or driveways with this low-voltage LED fixture made of solid aluminum with a black powder-coated finish. The included ground spike allows this light to be placed effortlessly in any area of your yard.



Model	Size	Watts	Delivered lumens	CRI	Color °T	Voltage
LPL26-3K	26"	13 W	800 lm	80	3000 K	12 VAC

Specifications

Over 50,000 hours of service life
 12VAC input
 Ground stake included
 147° beam angle
 Frosted lens
 Can be mounted to wood or concrete (screws not included)
 Cast aluminum construction
 Suitable for wet locations
 5-year warranty

Note

Low-voltage transformer required.
 Sold separately.

Other Color °T and Finishes available, but may require MOQ's and longer lead times. Please contact your DALs representative for more information.

Finish

● **BK** Black

Power supplies

LTRP-60-BK

60W, 120VAC 60Hz input
 12VAC output low-voltage transformer

LTR-300-BK

300W, 120VAC 60Hz input
 12/13/14/15VAC output low-voltage transformer

Accessories

LCBL-50-16

50 feet of 16 gauge low-voltage wiring

LCBL-100-16

100 feet of 16 gauge low-voltage wiring

LCBL-50-14

50 feet of 14 gauge low-voltage wiring

LCBL-100-14

100 feet of 14 gauge low-voltage wiring

LCBL-50-12

50 feet of 12 gauge low-voltage wiring

LCBL-100-12

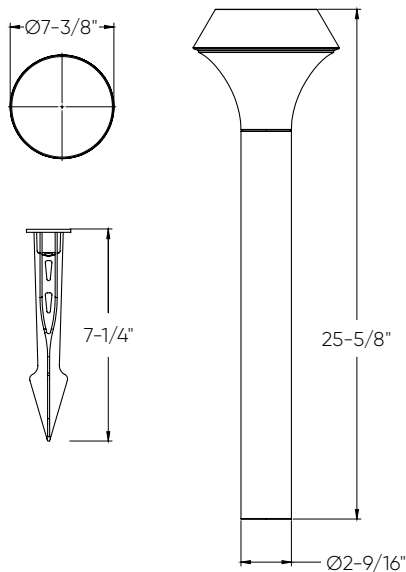
100 feet of 12 gauge low-voltage wiring

Order example

LPL26-3K-BK

26" landscape path light with 800 lumens at 3000K in a black finish

LPL26



Column

The Column series, a robust rectangular bollard that features a minimalist design for the ultimate in urban sophistication. Constructed of solid aluminum, it provides a chic solution to eco-conscious homeowners



Model	Size	Watts	Delivered lumens	CRI	Color °T	Voltage
LRB20-3K	20"	12 W	600 lm	80	3000 K	12 VAC
LRB30-3K	30"	13 W	700 lm	80	3000 K	12 VAC

Specifications

Over 50,000 hours of service life
 12VAC input
 Ground stake included
 109° beam angle
 Frosted lens
 Can be mounted to wood or concrete (screws not included)
 Cast aluminum construction
 Suitable for wet locations
 5-year warranty

Note

Low-voltage transformer required.
 Sold separately.

Other Color °T and Finishes available, but may require MOQ's and longer lead times. Please contact your DALs representative for more information.

Finish

● **BK** Black

Power supplies

LTRP-60-BK

60W, 120VAC 60Hz input
 12VAC output low-voltage transformer

LTR-300-BK

300W, 120VAC 60Hz input
 12/13/14/15VAC output low-voltage transformer

Accessories

LCBL-50-16

50 feet of 16 gauge low-voltage wiring

LCBL-100-16

100 feet of 16 gauge low-voltage wiring

LCBL-50-14

50 feet of 14 gauge low-voltage wiring

LCBL-100-14

100 feet of 14 gauge low-voltage wiring

LCBL-50-12

50 feet of 12 gauge low-voltage wiring

LCBL-100-12

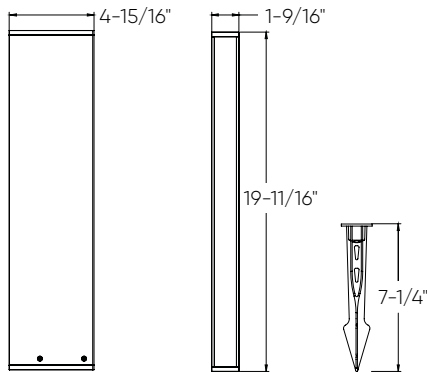
100 feet of 12 gauge low-voltage wiring

Order example

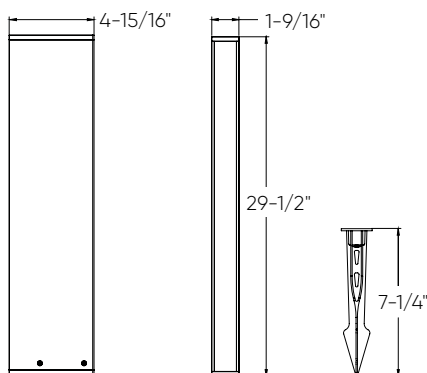
LRB20-3K-BK

20" landscape bollard with 600 lumens at 3000K in a black finish

LRB20

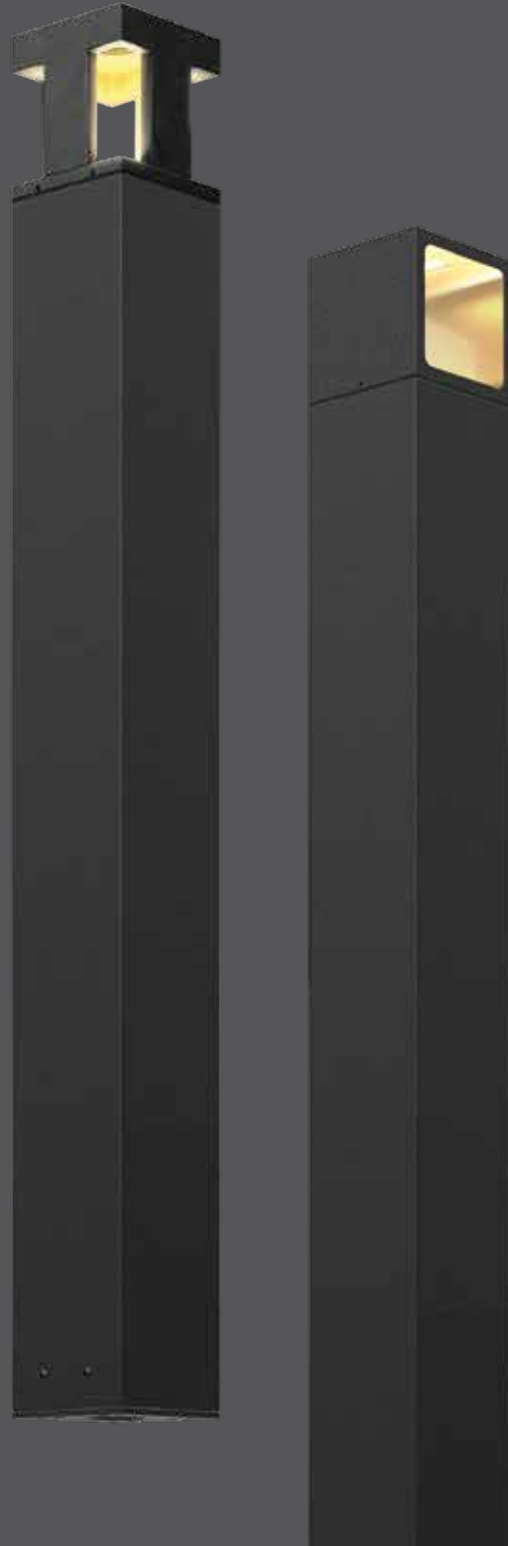


LRB30



Stature

Add warm light to your outdoor landscape with these contemporary bollards. A modern statement, the Stature series features integrated LED's to ensure a long-lasting, energy-efficient, and maintenance-free illumination.



Model	Height	Watts	Delivered lumens	LED lumens	CRI	Color °T	Voltage
LEDPATH003D	24", 30", 36"	7.5 W	180 lm	700 lm	90	3000 K	120 V
LEDPATH004D	24", 30", 36"	7.5 W	180 lm	700 lm	90	3000 K	120 V

Specifications

Over 50,000 hours of service life
 "X" shaped lighting pattern (LEDPATH003)
 Low power consumption
 Available in total height of: 24, 30 and 36"
 Superior color consistency
 Integrated dimmable driver
 Anchor bolts included
 Suitable for wet locations
 Refer to website for dimmer compatibility
 Ideal operating temperature:
 -20° to 40° C
 5-year warranty

Finish

- **BK** Black
- **SG** Silver grey (LEDPATH004D only)

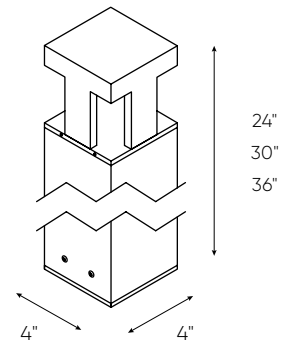
Order example

LEDPATH003D-36-BK
 Dimmable LEDPATH003D LED Bollard with a total height of 36" in a black finish

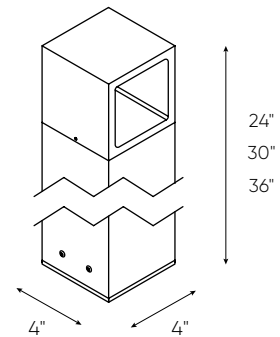
Note
 Other Color °T and Finishes available, but may require MOQ's and longer lead times. Please contact your DALs representative for more information.



LEDPATH003D



LEDPATH004D



Low-voltage transformers

NEW



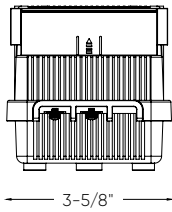
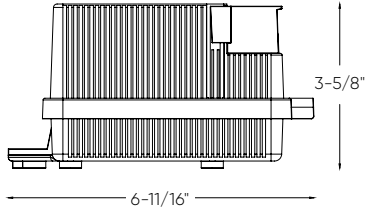
Outdoor low-voltage transformers with timer and photocell sensor, 120V AC to 12V/13V/14V/15V AC, weatherproof.



Model

LTRP-60-BK

60W low-voltage transformer



Specifications

Constant voltage mode power supply
Protection: short circuit / Over voltage
Input voltage: 120VAC 60Hz
Output voltage: 12VAC
Output Power: 60W
Maximum recommended load: 80%
Operating temperature: -30°C to 45°C
UL certification
5 year warranty

Finish

BK Black

Order example

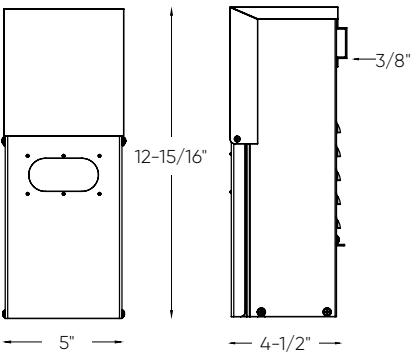
LTRP-60-BK

60W low-voltage transformer
in a black finish

Model

LTR-300-BK

300W low-voltage transformer



Specifications

Constant voltage mode power supply
Protection: short circuit / Over voltage
Fully isolated metal case -
Cooling by air convection
Input voltage: 120VAC 60Hz
Output Power: 300W
Output voltage: 12, 13, 14, 15VAC
Photocell sensor
Maximum recommended load: 80%
Operating temperature: -30°C to 45°C
UL certification
5 year warranty

Finish

BK Black

Order example

LTR-300-BK

300W low-voltage transformer
in a black finish