



# DALS LIGHTING

Canada  
80, de la Seigneurie blvd., E.  
Blainville, Quebec J7C 4N1

U.S.A.  
4383, NW 124th Ave.,  
Coral Springs, Florida 33065

877.430.1818  
info@dals.com  
dals.com

**MODEL** GBR06-CC

**NAME** Revolve

6" Regressed Gimbal Downlight

Our Recessed family has grown with a new range of adjustable downlights. The effortless design and high functionality of these fixtures are sure to make a welcome addition in any room.



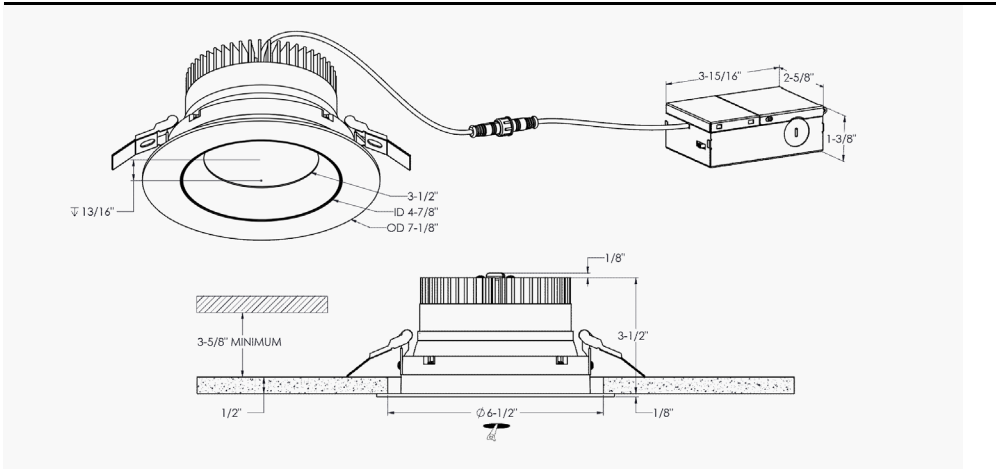
**PROJECT**

**TYPE**

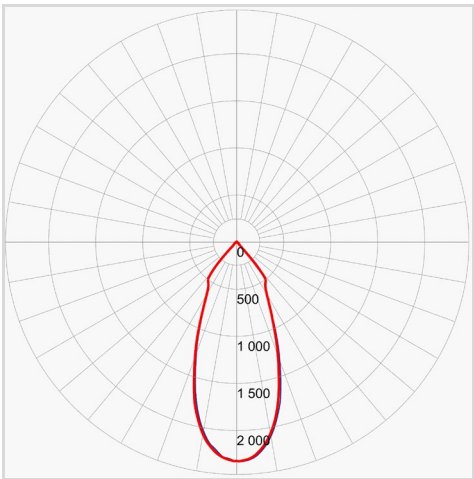
**DATE**

**QTY**

**NOTES**



## LIGHT DISTRIBUTION



\*Lumen output measured at 3000k

## QUICK SPECS

<b>Size</b>	6"
<b>Watts (W)</b>	20
<b>Delivered lumens*</b>	1935
<b>CRI</b>	90
<b>Voltage (v)</b>	120
<b>Beam angle (deg)</b>	40
<b>Cut hole size (in)</b>	6-1/2"
<b>FT rating</b>	FT6
<b>UGR</b>	11.9
<b>Binning</b>	3 SDCM
<b>LED model</b>	COB
<b>Color temperature</b>	2700K/3000K/3500K/4000K/5000K
<b>Certifications</b>	ETL, FCC, ICES, JA8/T24, ES, IC, ASTM E283-04

## ELECTRICAL DETAILS

<b>Environment</b>	Wet
<b>Location</b>	Indoor/Outdoor
<b>Operating temp. (° C)</b>	-20 to 40
<b>IP rating</b>	IP65
<b>Input voltage (V)</b>	108-135
<b>Output voltage (V)</b>	35
<b>Output current (mA)</b>	500
<b>Power factor (%)</b>	97
<b>Driver type</b>	Constant current
<b>THD</b>	≤ 20%
<b>Lifespan (hrs)</b>	50 000

## ORDERING GUIDE

GBR06-CC	-	_____	-	_____
		<i>Voltage</i>		<i>Finish</i>
		<b>BLANK</b> - 120v, TRIAC		<b>WH</b> - White ○
		<b>V</b> - 120-277-347V, 0-10v		<b>BK</b> - Black ●

## CONSTRUCTION

<b>Lens material</b>	Acrylic
<b>Optic type</b>	Optical lens
<b>Finish type</b>	Matte
<b>Housing material</b>	Aluminum

WHAT'S IN THE BOX	ACCESSORIES	ADAPTORS
LED recessed fixture	<a href="#">RFP-46</a>	<a href="#">REC-CC-EXT8FT</a>
Junction box	Drilling plate	96" extension cord for recessed fixtures
3x Push-in wire connectors		
Non-Metallic Connector 1/2in	<a href="#">RFP-UNI</a>	<a href="#">REC-CC-EXT20FT</a>
Instruction sheet	Universal drilling plate	240" extension cord for recessed fixtures

#### RECOMMENDED DIMMER LIST\*

BRAND	MODEL	DIMMER SPECS	DIMMING RANGE %		MAX LOAD (units)
			MIN	MAX	
Dals	SM-DIMSW Smart Dimmer*	Triac, 250W LED/CFL	4	100	13
Lutron	DVCL-153PR-WH-C*	Triac, 150 W Dimmable CFL/LED	4	100	8
Lutron	CTCL-153PDH-WH-C*	Triac, 150 W Dimmable CFL/LED	4	100	8
Lutron	STCL-153PH-WH-C*	Triac, 150 W Dimmable CFL/LED	10	100	8
Lutron	MACL-153MRHW-WHC*	Triac, 150 W Dimmable CFL/LED	0	100	8
Lutron	DVELV-300P-WH	300W electronic low voltage dimmer	7	100	15
Lutron	MA-PRO-WH*	ELV, 250W LED/CFL	1	100	13
Lutron	Caseta PD-6WCL-WH-R-C*	Triac, 300W Dimmable CFL/LED	3	100	8
Lutron	Caseta PD-5NE-WH-C*	ELV, LED—up to 250 W	2	100	13
Lutron	Caseta PD-10NXD-WH*	Triac, LED—up to 250 W	0	100	13
Leviton	DSM10-1LZ*	Triac, 450W Dimmable CFL/LED	1	100	23
Leviton	6674*	Triac, 150 W Dimmable CFL/LED	6	100	8
Leviton	PL06-10Z*	Triac, 150 W Dimmable CFL/LED	6	100	8
Leviton	DSL06-1LZ*	Triac, 300 W Dimmable CFL/LED	6	100	15
Leviton	D26HD-742-1RW*	Triac, 300W LED/CFL	10	100	15
Legrand	RHCL453PNICCV4*	Triac, 450W Dimmable CFL/LED	10	100	23
Legrand	ADTP703TUM4*	Triac, 450W Dimmable CFL/LED	0	100	23
Control 4	C4-APD120-WH	ELV, 120W LED	0	100	6
Control 4	C4-FPD120-WH	Triac, 200W LED	0	100	10
Commercial Electric	HPDA311CWB*	Triac, 150W LED & CFL	0	100	8
TP-Link	HS220*	Triac, 150 W, Dimmable LED (MLV)	1	100	8
Lutron	DVSTV (0–10 V Controls)*	960W, 8A, 120–277 V	0	97	48
Leviton	IP710-DLZ(0–10 V Controls)	1200VA, 10A LED, 120-277V	0	100	60
Leviton	ZS057-30Z(0–10 V Controls)	1388VA, 4A, 347V	0	100	69
Lutron	Vive PowPak Dimming Module RMJS-8T-D	960VA, 8A, 120-277V	0	100	48

\*With Low-End Adjustment Feature. Minimal buzzing noise may occur with some dimmers.

#### WARRANTY

DALS offers a 5-year warranty from the date of purchase which covers repairs or replacement of defective parts of the housing, optics, and electronics. To contact DALS customer service call 1-877-430-1818 or send an e-mail to [info@dals.com](mailto:info@dals.com).