



# DALS LIGHTING

Canada  
80, de la Seigneurie Blvd., E.  
Blainville, Quebec J7C 4N1

U.S.A.  
4383, NW 124th Ave.,  
Coral Springs, Florida 33065

877.430.1818  
info@dals.com  
dals.com

**MODEL** DDP6-CC

**NAME** Etch

6" Deep regressed panel 5CCT

The Etch range of circular recessed downlights, characterised by a deep-set LED position, provides a functional solution to general lighting without the uncomfortable glare.

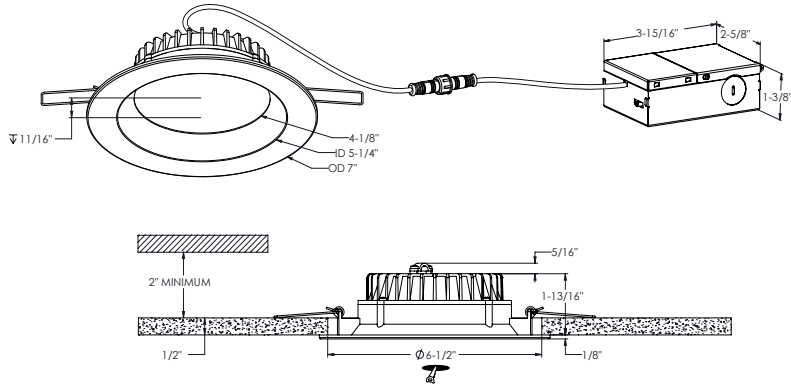
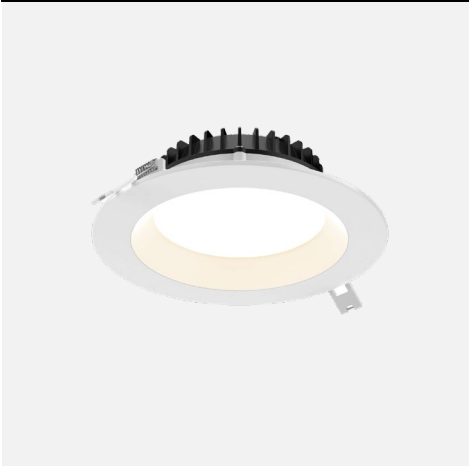
**PROJECT**

**TYPE**

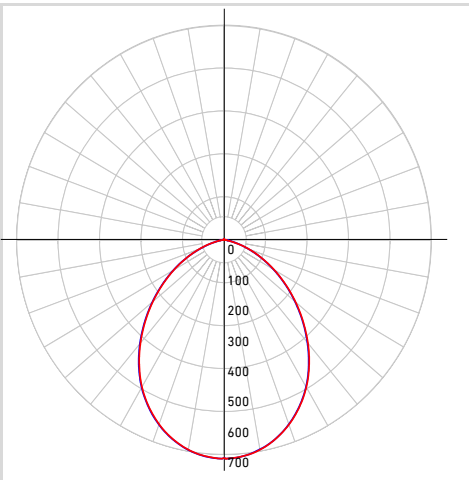
**DATE**

**QTY**

**NOTES**



## LIGHT DISTRIBUTION



\*Lumen output measured at 3000k

## QUICK SPECS

<b>Size</b>	6"
<b>Watts (W)</b>	20
<b>Delivered lumens*</b>	1500
<b>CRI</b>	90
<b>Voltage (v)</b>	120
<b>Beam angle (deg)</b>	125
<b>Cut hole size (in)</b>	6-1/2"
<b>Lifespan (hrs)</b>	50 000
<b>FT rating</b>	FT6
<b>Binning</b>	3 SDCM
<b>LED model</b>	SMD 3030
<b>Color temperature</b>	2700K/3000K/3500K/4000K/5000K

## ELECTRICAL DETAILS

<b>Environment</b>	Wet
<b>Location</b>	Indoor/Outdoor
<b>Operating temp. (° C)</b>	-20 to 40
<b>IP rating</b>	50 000
<b>Input voltage (V)</b>	108-135
<b>Output voltage (V)</b>	30-42
<b>Output current (mA)</b>	530
<b>Power factor (%)</b>	99
<b>Driver type</b>	Constant current
<b>THD</b>	≤ 30%
<b>Certifications</b>	ETL, FCC, ICES, ES
<b>IC, ASTM E283-04, T24/JA8</b>	

## ORDERING GUIDE

DDP6-CC	-	<input type="text"/>	-	<input type="text"/>
		Voltage		Finish
		<b>BLANK</b> - 120v Triac dimming		<b>WH</b> - White <input type="radio"/>
		<b>V</b> - 120-277-347V 0-10v dimming		

## CONSTRUCTION

<b>Lens material</b>	Frosted
<b>Optic type</b>	Flat lens
<b>Finish type</b>	Aluminium
<b>Housing material</b>	Acrylic

**WHAT'S IN THE BOX**

LED recessed fixture  
 Junction box  
 3x Push-in wire connectors  
 Mounting hardware  
 Instruction sheet

**ACCESSORIES**

[RFP-35](#)  
 Drilling plate

**ADAPTORS**

[RFP-46](#)  
 Drilling plate  
[RFP-UNI](#)  
 Universal drilling plate

**RECOMMENDED DIMMER LIST\***

BRAND	MODEL	DIMMER SPECS	GRADE	MIN	MAX	MAX LOAD
Lutron	MA-PRO-WH*	ELV, 250W LED/CFL	Compatible	0	101	13
Lutron	Caseta PD-5NE-WH-C*	ELV, LED—up to 250 W	Compatible	3	98	13
Control 4	C4-APD120-WH	ELV, 120W LED	Compatible	0	97	6

\*With Low-End Adjustment Feature

*Minimal buzzing noise may occur with some dimmers*

**WARRANTY**

DALS offers a 5-year warranty from the date of purchase which covers repairs or replacement of defective parts of the housing, optics, and electronics. To contact DAL'S customer service call 1-877-430-1818 or send an e-mail to [info@dals.com](mailto:info@dals.com).