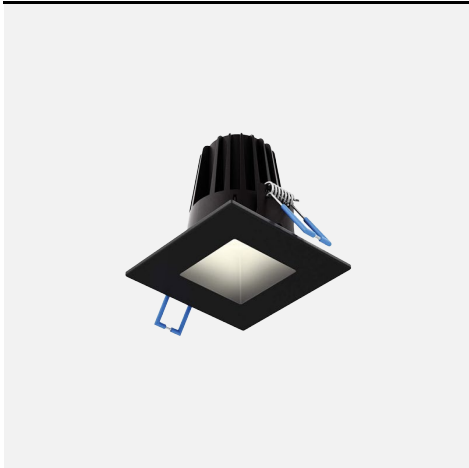


MODEL RGR2SQ-CC

NAME RGR

2 Inch Square Regressed Downlight

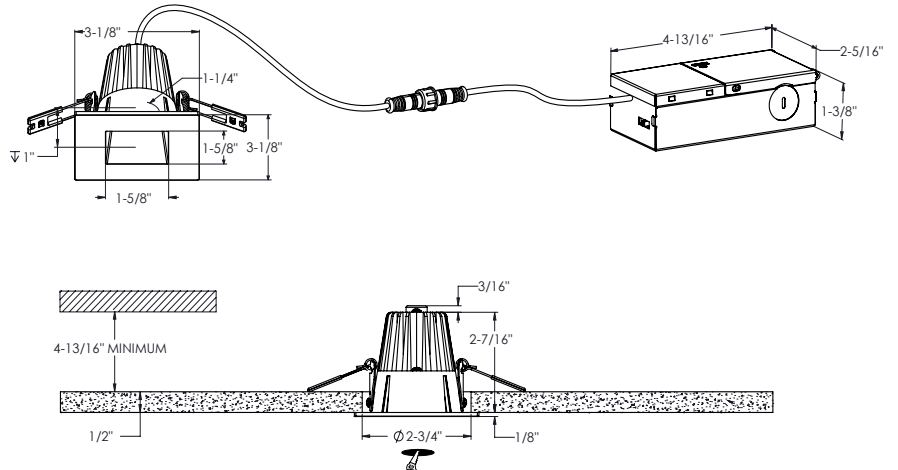
When choosing a recessed fixture, eliminating glare is a priority. The unique positioning of the LED module in this series of downlights will meet that important need.



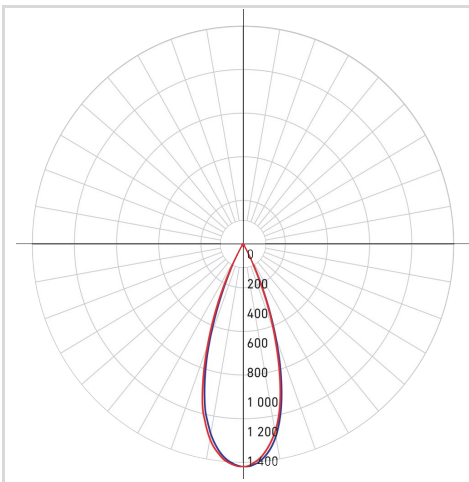
PROJECT _____ **TYPE** _____

DATE _____ **QTY** _____

NOTES



LIGHT DISTRIBUTION



*Lumen output measured at 3000k

QUICK SPECS

| | |
|---------------------------|-------------------------------|
| Size | 2" |
| Watts (W) | 8 |
| Delivered lumens* | 600 |
| CRI | 90 |
| Voltage (v) | 120 |
| Beam angle (deg) | 40 |
| Cut hole size (in) | 2-3/4" |
| Lifespan (hrs) | 50 000 |
| FT rating | FT6 |
| Binning | 3 SDCM |
| LED model | COB |
| Color temperature | 2700K/3000K/3500K/4000K/5000K |

ELECTRICAL DETAILS

| | |
|------------------------------|---|
| Environment | Wet |
| Location | Indoor/Outdoor |
| Operating temp. (° C) | -20 to 40 |
| IP rating | IP44 |
| Input voltage (V) | 100-135 |
| Output voltage (V) | 21 |
| Output current (mA) | 300 |
| Power factor (%) | 97 |
| Driver type | Constant current |
| THD | ≤ 30% |
| Certifications | ETL, FCC, ICES, ES, IC, ASTM E283-04, T24/JA8 |

ORDERING GUIDE

| | | | | |
|-----------|---|--|---|--------------------------|
| RGR2SQ-CC | - | _____ | - | _____ |
| | | <i>Voltage</i> | | <i>Finish</i> |
| | | BLANK - 120v Triac dimming | | WH - White |
| | | V - 120-277-347V 0-10v dimming | | BK - Black |
| | | | | SN - Satin nickel |

CONSTRUCTION

| | |
|-------------------------|--------------|
| Lens material | Acrylic |
| Optic type | Optical lens |
| Finish type | Matte |
| Housing material | Aluminum |

WHAT'S IN THE BOX

LED recessed fixture
 Junction box
 3x Push-in wire connectors
 Mounting hardware
 Instruction sheet

ACCESSORIES

[RFP-UNI](#)
 Universal drilling plate
[RFP-23](#)
 Drilling plate

ADAPTORS

[REC-CC-EXT8FT](#)
 96" extension cord for recessed fixtures
[REC-CC-EXT20FT](#)
 240" extension cord for recessed fixtures

RECOMMENDED DIMMER LIST*

| BRAND | MODEL | DIMMER SPECS | GRADE | MIN | MAX | MAX LOAD |
|-----------|------------------------|------------------------------------|------------|-----|-----|----------|
| Dals | SM-DIMSW Smart Dimmer* | Triac, 250W LED/CFL | Compatible | 10 | 99 | 31 |
| Lutron | DVCL-153PR-WH-C* | Triac, 150 W Dimmable CFL/LED | Compatible | 8 | 99 | 19 |
| Lutron | CTCL-153PDH-WH-C* | Triac, 150 W Dimmable CFL/LED | Compatible | 8 | 99 | 19 |
| Lutron | STCL-153PH-WH-C* | Triac, 150 W Dimmable CFL/LED | Compatible | 1 | 99 | 19 |
| Lutron | MACL-153MRHW-WHC* | Triac, 150 W Dimmable CFL/LED | Compatible | 1 | 99 | 19 |
| Lutron | DVELV-300P-WH | 300W electronic low voltage dimmer | Compatible | 10 | 100 | 38 |
| Lutron | MA-PRO-WH* | ELV, 250W LED/CFL | Compatible | 0 | 99 | 31 |
| Lutron | Caseta PD-6WCL-WH-R-C* | Triac, 300W Dimmable CFL/LED | Compatible | 2 | 100 | 19 |
| Lutron | Caseta PD-5NE-WH-C* | ELV, LED—up to 250 W | Compatible | 5 | 99 | 31 |
| Lutron | Caseta PD-10NXD-WH* | Triac, LED—up to 250 W | Compatible | 0 | 100 | 31 |
| Leviton | DSM10-1LZ* | Triac, 450W Dimmable CFL/LED | Compatible | 3 | 99 | 56 |
| Leviton | 6674* | Triac, 150 W Dimmable CFL/LED | Compatible | 11 | 99 | 19 |
| Leviton | PL06-10Z* | Triac, 150 W Dimmable CFL/LED | Compatible | 9 | 99 | 19 |
| Leviton | DSL06-1LZ* | Triac, 150 W Dimmable CFL/LED | Compatible | 9 | 99 | 19 |
| Leviton | D26HD-742-1RW* | Triac, 300W LED/CFL | Compatible | 11 | 99 | 38 |
| Legrand | RHCL453PNICCV4* | Triac, 450W Dimmable CFL/LED | Compatible | 8 | 99 | 56 |
| Legrand | ADTP703TUM4* | Triac, 450W Dimmable CFL/LED | Compatible | 7 | 99 | 56 |
| Legrand | RHL373PW* | Triac, 250W LED | Compatible | 3 | 99 | 31 |
| Control 4 | C4-APD120-WH | ELV, 120W LED | Compatible | 0 | 100 | 15 |
| Control 4 | C4-FPD120-WH | Triac, 200W LED | Compatible | 0 | 100 | 25 |
| TP-Link | HS220* | Triac, 150 W, Dimmable LED (MLV) | Compatible | 4 | 100 | 19 |

*With Low-End Adjustment Feature

Minimal buzzing noise may occur with some dimmers

WARRANTY

DALS offers a 5-year warranty from the date of purchase which covers repairs or replacement of defective parts of the housing, optics, and electronics. To contact DALS customer service call 1-877-430-1818 or send an e-mail to info@dals.com.