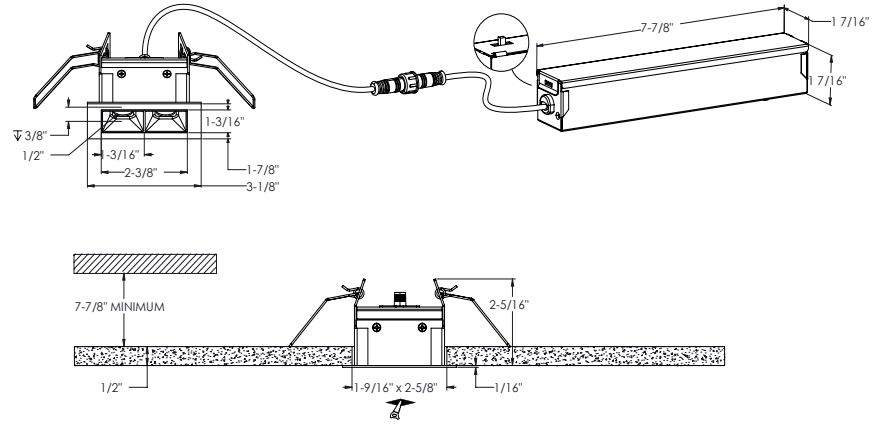
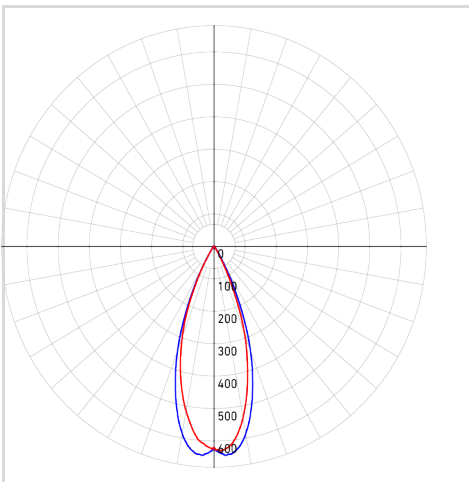


MODEL MSL2-CC

NAME Pinpoint

2 Light Microspot LED Recessed downlight

Providing contemporary and functional style to any space, the MSL Recessed Series with its glossy piano-black reflector is available in various styles and features.

PROJECT
TYPE
DATE
QTY
NOTES

LIGHT DISTRIBUTION


*Lumen output measured at 3000k

QUICK SPECS

| | |
|---------------------------|-------------------------------|
| Size | 3" |
| Watts (W) | 6 |
| Delivered lumens* | 320 |
| CRI | 90 |
| Voltage (v) | 120 |
| Beam angle (deg) | 30 |
| Cut hole size (in) | 1-9/16 x 2-5/8 |
| Lifespan (hrs) | 50000 |
| FT rating | FT6 |
| Binning | 3 SDCM |
| LED model | SMD 3535 |
| Color temperature | 2700K/3000K/3500K/4000K/5000K |

ELECTRICAL DETAILS

| | |
|------------------------------|------------------|
| Environment | Dry |
| Location | Indoor |
| Operating temp. (° C) | -20 to 40 |
| IP rating | IP44 |
| Input voltage (V) | 108-135V |
| Output voltage (V) | 11,7 |
| Output current (mA) | 348 |
| Power factor (%) | 99 |
| Driver type | Constant current |
| THD | <30% |
| Certifications | ETL, FCC, ICES |

ORDERING GUIDE

| | | | | |
|---------|---|------------------|---|-------|
| MSL2-CC | - | Blank | - | WH |
| | | 120v | | White |
| | | Triac dimming | | |
| | | V - 120-277-347V | | |
| | | 0-10v dimming | | |

CONSTRUCTION

| | |
|-------------------------|------------|
| Lens material | PC |
| Optic type | Clear lens |
| Finish type | Sandy |
| Housing material | Aluminum |

WHAT'S IN THE BOX

LED recessed fixture
 Junction box
 3x Push-in wire connectors
 Mounting hardware
 Instruction sheet

ACCESSORIES

[RFP-MSL2](#)
 Drilling plate

ADAPTORS

[REC-CC-EXT8FT](#)
 96" extension cord for recessed fixtures
[REC-CC-EXT20FT](#)
 240" extension cord for recessed fixtures

RECOMMENDED DIMMER LIST*

| BRAND | MODEL | DIMMER SPECS | GRADE | MIN | MAX | MAX LOAD |
|----------------------|-----------------------|------------------------------------|------------|-----|-----|----------|
| Lutron | DVCL-153PR-WH-C | Triac, 150 W Dimmable CFL/LED | Compatible | 9 | 100 | 25 |
| Lutron | CTCL-153PDH-WH-C | Triac, 150 W Dimmable CFL/LED | Compatible | 9 | 100 | 25 |
| Lutron | STCL-153PH-WH-C | Triac, 150 W Dimmable CFL/LED | Compatible | 1 | 100 | 25 |
| Lutron | DVWCL-153PH-WHC | Triac, 150 W Dimmable CFL/LED | Compatible | 8 | 100 | 25 |
| Lutron | MACL-153MRHW-WHC | Triac, 150 W Dimmable CFL/LED | Compatible | 1 | 100 | 25 |
| Lutron | DVELV-300P-WH | 300W electronic low voltage dimmer | Compatible | 11 | 100 | 50 |
| Leviton [†] | 6672-1LW | Triac, 150W Dimmable CFL/LED | Compatible | 25 | 100 | 25 |
| Lutron | MA-PRO-WH | ELV, 250W LED/CFL | Compatible | 1 | 100 | 41 |
| Leviton | DSM10 | Triac, 450W Dimmable CFL/LED | Compatible | 21 | 100 | 75 |
| Legrand | RHCL453PNICCV4 | Triac, 450W Dimmable CFL/LED | Compatible | 9 | 100 | 75 |
| Legrand | ADTP703TUM4 | Triac,450W Dimmable CFL/LED | Compatible | 14 | 97 | 75 |
| Legrand | ADPD453LM2 | Triac,450W Dimmable CFL/LED | Compatible | 35 | 100 | 75 |
| Leviton | 6674 | Triac, 150 W Dimmable CFL/LED | Compatible | 21 | 100 | 25 |
| Leviton | ¶PL06-10Z | Triac, 150 W Dimmable CFL/LED | Compatible | 20 | 100 | 25 |
| Leviton | DSL06-752 | Triac, 150 W Dimmable CFL/LED | Compatible | 20 | 100 | 25 |
| Lutron | Caseta PD-6WCL-WH-R-C | Triac, 300W Dimmable CFL/LED | Compatible | 1 | 100 | 50 |
| Lutron | Caseta PD-5NE-WH-C | ELV, LED—up to 250 W | Compatible | 3 | 100 | 41 |
| Lutron | Caseta PD-10NXD-WH | Triac, LED—up to 250 W | Compatible | 1 | 100 | 41 |
| Leviton | D26HD-742-1RW | Triac, 300W LED/CFL | Compatible | 11 | 100 | 50 |
| Dals | SM-DIMSW Smart Dimmer | Triac, 250W LED/CFL | Compatible | 6 | 100 | 41 |
| Control 4 | C4-APD120-WH | ELV, 120W LED | Compatible | 0 | 100 | 20 |
| Control 4 | C4-FPD120-WH | Triac, 200W LED | Compatible | 0 | 100 | 33 |
| Legrand | RHL373PW | Triac, 250W LED | Compatible | 7 | 100 | 41 |

*With Low-End Adjustment Feature

Minimal buzzing noise may occur with some dimmers

WARRANTY

DALS offers a 5-year warranty from the date of purchase which covers repairs or replacement of defective parts of the housing, optics, and electronics. To contact DAL'S customer service call 1-877-430-1818 or send an e-mail to info@dals.com.