



DALS LIGHTING

Canada
80, de la Seigneurie blvd., E.
Blainville, Quebec j7C 4N1

U.S.A.
4383, NW 124th Ave.,
Coral Springs, Florida 33065

877.430.1818
info@dals.com
dals.com

MODEL LEDVAN001-CC-24

NAME Noble One Series

24 Inch CCT Glass LED Vanity Light

These modern LED vanity lights can be installed in 2 directions; horizontal or vertical based on your desired lighting layout. Let your imagination go.

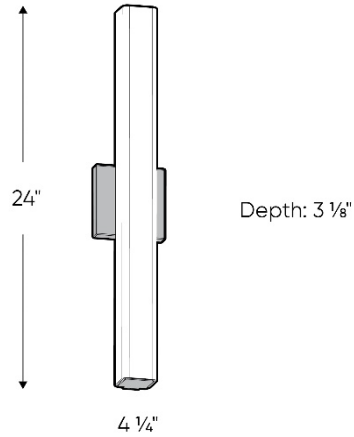
PROJECT

TYPE

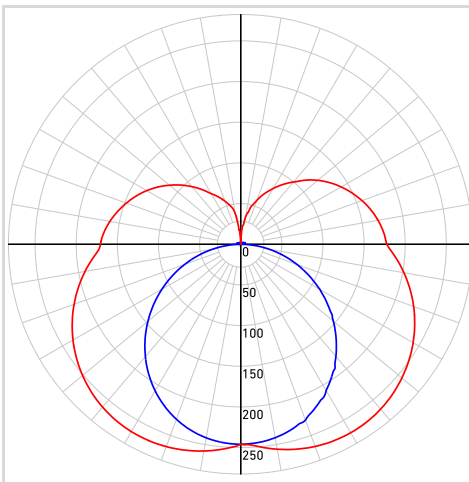
DATE

QTY

NOTES



LIGHT DISTRIBUTION



QUICK SPECS

Size	24"
Watts (W)	24
Delivered lumens*	1600
CRI	90
Voltage (v)	120
Beam angle (deg)	120
Mounting	Screwed in
Lifespan (hrs)	50 000
Binning	3 SCDM
LED model	SMD 2835
Light direction	All around
Color temperature	2700K/3000K/3500K/4000K/5000K

ELECTRICAL DETAILS

Environment	Damp
Location	Indoor
Operating temp. (° C)	-25 to 45
IP rating	IP40
Input voltage (V)	108-120
Output voltage (V)	-
Output current (mA)	-
Power factor	90
Driver type	Constant current
THD	≤ 20%
Certifications	ETL, ADA

*Lumen output measured at 3000k

ORDERING GUIDE

LEDVAN001-CC-24 -
Finish
BK - Black ●
SN - Satin nickel ●
CH - Chrome ●

CONSTRUCTION

Lens material	Glass
Lens type	Frosted
Finish type	Powder coated
Housing material	Aluminum

WHAT'S IN THE BOX

LED vanity light
 Mounting bracket
 Mounting hardware
 Wire nuts
 Instruction sheet

ACCESSORIES
ADAPTORS
RECOMMENDED DIMMER LIST*

BRAND	MODEL	DIMMER SPECS	GRADE	MIN	MAX	MAX LOAD
Lutron	STCL-153PH-WH-C	Triac, 150 W Dimmable CFL/LED	Compatible	0	98	6
Lutron	MACL-153MRHW-WHC	Triac, 150 W Dimmable CFL/LED	Compatible	0	95	6
Leviton	D26HD-742-1RW	Triac, 300W LED/CFL	Compatible	0	100	13
Legrand	RHCL453PNICCV4	Triac, 450W Dimmable CFL/LED	Compatible	0	100	19
Legrand	ADTP703TUM4	Triac,450W Dimmable CFL/LED	Compatible	2	79	19
Legrand	ADPD453LM2	Triac,450W Dimmable CFL/LED	Compatible	19	100	19
Control 4	C4-APD120-WH	ELV, 120W LED	Compatible	0	100	5

*With Low-End Adjustment Feature

Minimal buzzing noise may occur with some dimmers

WARRANTY

DALS offers a 5-year warranty from the date of purchase which covers repairs or replacement of defective parts of the housing, optics, and electronics. To contact DAL'S customer service call 1-877-430-1818 or send an e-mail to info@dals.com.