



DALS LIGHTING

Canada
80, de la Seigneurie blvd., E.
Blainville, Quebec J7C 4N1

U.S.A.
4383, NW 124th Ave.,
Coral Springs, Florida 33065

877.430.1818
info@dals.com
dals.com

MODEL HPD8-CC

NAME Hilux

8 Inch High Powered LED Commercial downlight is a go-to for your commercial projects. With its five color temperatures to choose from, a cast aluminum housing, high lumen output, and indoor/outdoor rating, this can be installed just about anywhere.

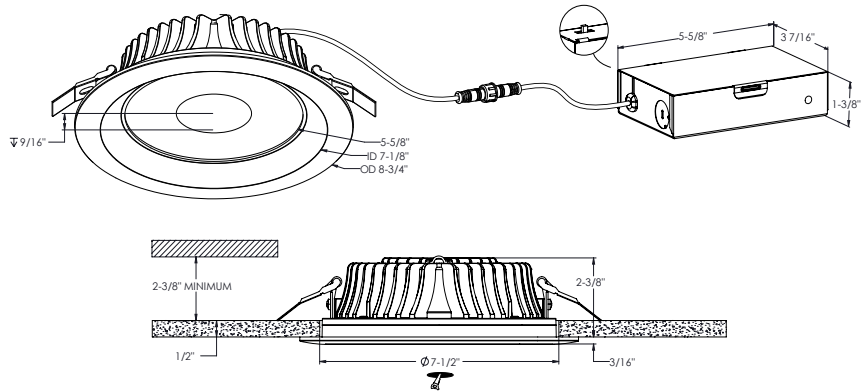
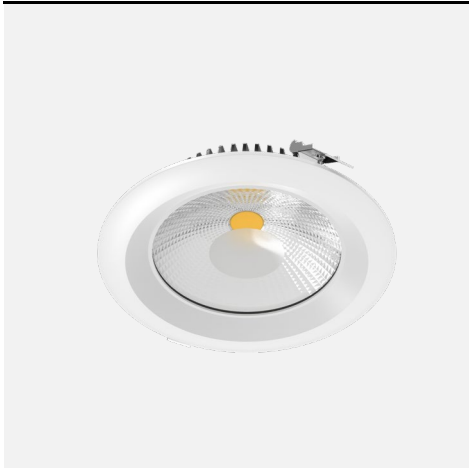
PROJECT

TYPE

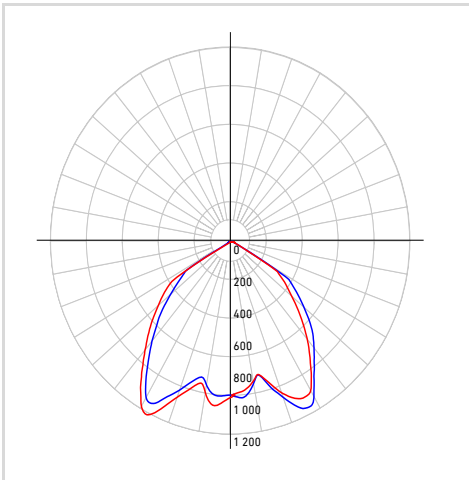
DATE

QTY

NOTES



LIGHT DISTRIBUTION



*Lumen output measured at 3000k

QUICK SPECS

Size	8"
Watts (W)	40
Delivered lumens*	2600
CRI	90
Voltage (v)	120
Beam angle (deg)	121
Cut hole size (in)	7-1/2"
Lifespan (hrs)	50000
FT rating	FT6
Binning	3 SDCM
LED model	COB
Color temperature	2700K/3000K/3500K/4000K/5000K

ELECTRICAL DETAILS

Environment	Wet
Location	Indoor/Outdoor
Operating temp. (° C)	-20 to 40
IP rating	IP44
Input voltage (V)	100-135v
Output voltage (V)	30-42
Output current (mA)	450mA
Power factor (%)	99
Driver type	Constant current
THD	<30%
Certifications	ETL, FCC, ICES, ES, IC, ASTM E283-04, T24/JA8

ORDERING GUIDE

HPD8-CC	-	_____	-	_____
		Voltage		Finish
		BLANK - 120v Triac dimming		WH - White ○
		V - 120-277-347V 0-10v dimming		BK - Black ●

CONSTRUCTION

Lens material	Glass
Optic type	Reflector
Finish type	Matte
Housing material	Aluminum

WHAT'S IN THE BOX

LED recessed fixture
 Junction box
 3x Push-in wire connectors
 Mounting hardware
 Instruction sheet

ACCESSORIES

[RFP-UNI](#)
 Universal drilling plate
[RFP-58](#)
 Drilling plate

ADAPTORS

[REC-CC-EXT8FT](#)
 96" extension cord for recessed fixtures
[REC-CC-EXT20FT](#)
 240" extension cord for recessed fixtures

RECOMMENDED DIMMER LIST*

BRAND	MODEL	DIMMER SPECS	GRADE	MIN	MAX	MAX LOAD
Lutron	DVCL-153PR-WH-C	Triac, 150 W Dimmable CFL/LED	Compatible	6	100	3
Lutron	CTCL-153PDH-WH-C	Triac, 150 W Dimmable CFL/LED	Compatible	5	100	3
Lutron	STCL-153PH-WH-C	Triac, 150 W Dimmable CFL/LED	Compatible	1	100	3
Lutron	DVWCL-153PH-WHC	Triac, 150 W Dimmable CFL/LED	Compatible	6	100	3
Lutron	MACL-153MRHW-WHC	Triac, 150 W Dimmable CFL/LED	Compatible	1	100	3
Lutron	DVELV-300P-WH	300W electronic low voltage dimmer	Compatible	8	94	7
Leviton [†]	6672-1LW	Triac, 150W Dimmable CFL/LED	Compatible	27	100	3
Lutron	MA-PRO-WH	ELV, 250W LED/CFL	Compatible	2	100	6
Leviton	DSM10	Triac, 450W Dimmable CFL/LED	Compatible	22	100	11
Legrand	RHCL453PNICCV4	Triac, 450W Dimmable CFL/LED	Compatible	9	100	11
Legrand	ADTP703TUM4	Triac,450W Dimmable CFL/LED	Compatible	11	96	11
Legrand	ADPD453LM2	Triac,450W Dimmable CFL/LED	Compatible	35	100	11
Leviton	6674	Triac, 150 W Dimmable CFL/LED	Compatible	8	100	3
Leviton	¶PL06-10Z	Triac, 150 W Dimmable CFL/LED	Compatible	14	100	3
Leviton	DSL06-752	Triac, 150 W Dimmable CFL/LED	Compatible	13	100	3
Lutron	Caseta PD-6WCL-WH-R-C	Triac, 300W Dimmable CFL/LED	Compatible	3	100	7
Lutron	Caseta PD-5NE-WH-C	ELV, LED—up to 250 W	Compatible	3	100	6
Lutron	Caseta PD-10NXD-WH	Triac, LED—up to 250 W	Compatible	1	100	6
Leviton	D26HD-742-1RW	Triac, 300W LED/CFL	Compatible	10	100	7
Dals	SM-DIMSW Smart Dimmer	Triac, 250W LED/CFL	Compatible	6	100	6
Control 4	C4-APD120-WH	ELV, 120W LED	Compatible	0	100	3
Control 4	C4-FPD120-WH	Triac, 200W LED	Compatible	0	100	5
Legrand	RHL373PW	Triac, 250W LED	Compatible	8	100	6

*With Low-End Adjustment Feature

Minimal buzzing noise may occur with some dimmers

WARRANTY

DALS offers a 5-year warranty from the date of purchase which covers repairs or replacement of defective parts of the housing, optics, and electronics. To contact DALS customer service call 1-877-430-1818 or send an e-mail to info@dals.com.