



DALS LIGHTING

Canada
80, de la Seigneurie blvd., E.
Blainville, Quebec J7C 4N1

U.S.A.
4383, NW 124th Ave.,
Coral Springs, Florida 33065

877.430.1818
info@dals.com
dals.com

MODEL HPD6-CC

NAME Hilux

6 Inch High Powered LED Commercial downlight is a go-to for your commercial projects. With its five color temperatures to choose from, a cast aluminum housing, high lumen output, and indoor/outdoor rating, this can be installed just about anywhere. From clinics to schools and

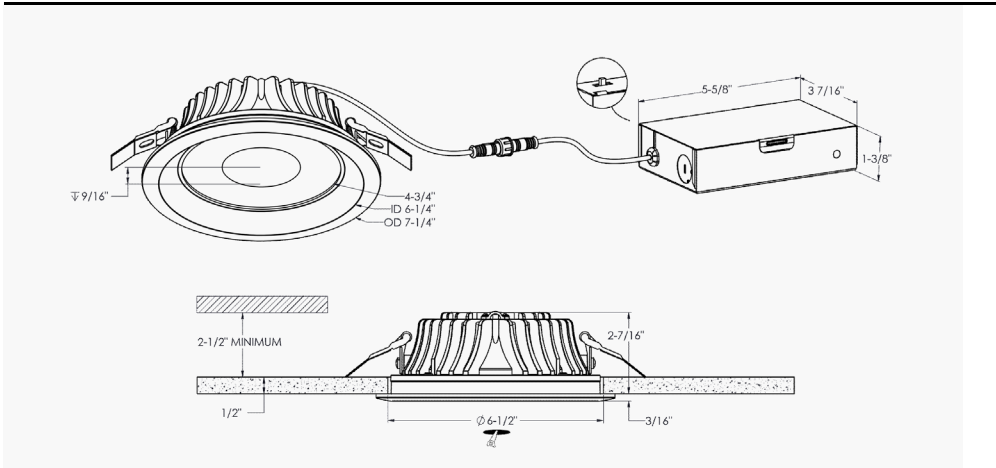
PROJECT

TYPE

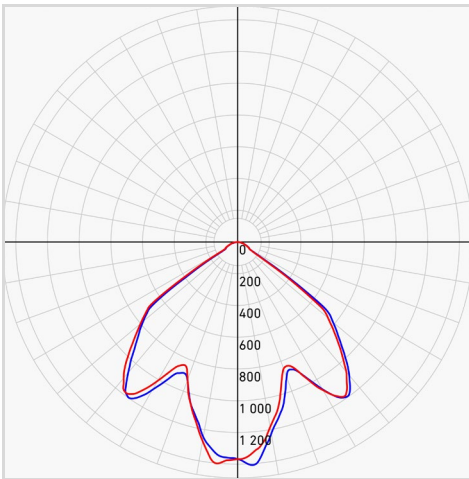
DATE

QTY

NOTES



LIGHT DISTRIBUTION



*Lumen output measured at 3000k

QUICK SPECS

Size	6"
Watts (W)	30
Delivered lumens*	2805
CRI	90
Voltage (v)	120
Beam angle (deg)	113
Cut hole size (in)	6-1/2"
FT rating	FT6
UGR	21.3
Binning	3 SDCM
LED model	COB
Color temperature	2700K/3000K/3500K/4000K/5000K
Certifications	ETL, FCC, ICES, JA8/T24, ES, IC, ASTM E283-04

ELECTRICAL DETAILS

Environment	Wet
Location	Indoor/Outdoor
Operating temp. (° C)	-20 to 40
IP rating	IP65
Input voltage (V)	100-135
Output voltage (V)	30-42
Output current (mA)	700
Power factor (%)	99
Driver type	Constant current
THD	9%
Lifespan (hrs)	50 000

ORDERING GUIDE

HPD6-CC	-	Voltage	-	Finish
		BLANK - 120v, TRIAC		WH - White
		V - 120-277-347V, 0-10v		BK - Black

CONSTRUCTION

Lens material	Glass
Optic type	Reflector
Finish type	Matte
Housing material	Aluminum

WHAT'S IN THE BOX

LED recessed fixture
 Junction box
 3x Push-in wire connectors
 Non-Metallic Connector 1/2in
 Instruction sheet

ACCESSORIES

[RFP-46](#)
 Drilling plate

[RFP-UNI](#)
 Universal drilling plate

ADAPTORS

[REC-CC-EXT8FT](#)
 96" extension cord for recessed fixtures

[REC-CC-EXT20FT](#)
 240" extension cord for recessed fixtures

RECOMMENDED DIMMER LIST*

BRAND	MODEL	DIMMER SPECS	DIMMING RANGE %		MAX LOAD (units)
			MIN	MAX	
Dals	SM-DIMSW Smart Dimmer*	Triac, 250W LED/CFL	9	96	8
Lutron	DVCL-153PR-WH-C*	Triac, 150 W Dimmable CFL/LED	6	89	5
Lutron	CTCL-153PDH-WH-C*	Triac, 150 W Dimmable CFL/LED	6	89	5
Leviton	DSM10-1LZ*	Triac, 450W Dimmable CFL/LED	4	90	15
Leviton	6674*	Triac, 150 W Dimmable CFL/LED	9	92	5
Leviton	¶PL06-10Z*	Triac, 150 W Dimmable CFL/LED	8	90	5
Leviton	DSL06-1LZ*	Triac, 150 W Dimmable CFL/LED	8	90	5
Leviton	D26HD-742-1RW*	Triac, 300W LED/CFL	11	97	10
Legrand	RHCL453PNICCV4*	Triac, 450W Dimmable CFL/LED	10	89	15
Control 4	C4-APD120-WH	ELV, 120W LED	0	98	4
Control 4	C4-FPD120-WH	Triac, 200W LED	0	97	7
TP-Link	HS220*	Triac, 150 W, Dimmable LED (MLV)	5	97	5

V version 0-10v dimming

Lutron	DVSTV (0–10 V Controls) *With Low-End Adjustment Dial	960W, 8 A, 120 –277 V~	1	94	32
--------	--	------------------------	---	----	----

*With Low-End Adjustment Feature. Minimal buzzing noise may occur with some dimmers.

WARRANTY

DALS offers a 5-year warranty from the date of purchase which covers repairs or replacement of defective parts of the housing, optics, and electronics. To contact DALS customer service call 1-877-430-1818 or send an e-mail to info@dals.com.