



# DALS LIGHTING

Canada  
80, de la Seigneurie blvd., E.  
Blainville, Quebec J7C 4N1

U.S.A.  
4383, NW 124th Ave.,  
Coral Springs, Florida 33065

877.430.1818  
info@dals.com  
dals.com

**MODEL** HPD4-CC

**NAME** Hilux

4 Inch High Powered LED Commercial downlight is a go-to for your commercial projects. With its five color temperatures to choose from, a cast aluminum housing, high lumen output, and indoor/outdoor rating, this can be installed just about anywhere. From clinics to schools and

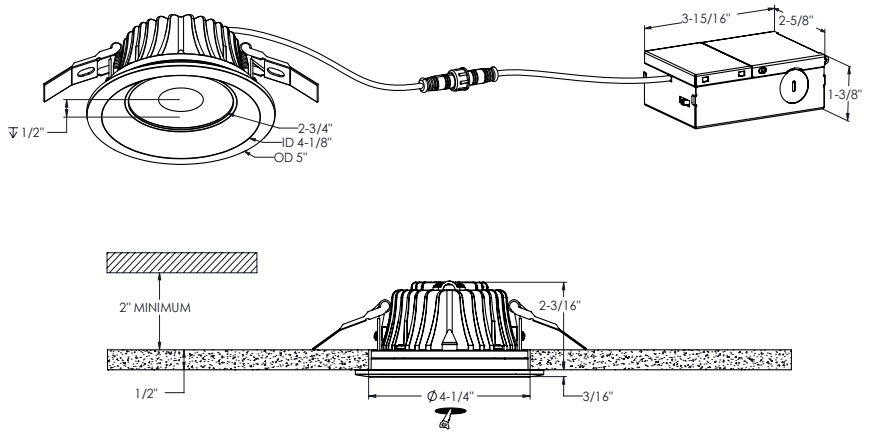
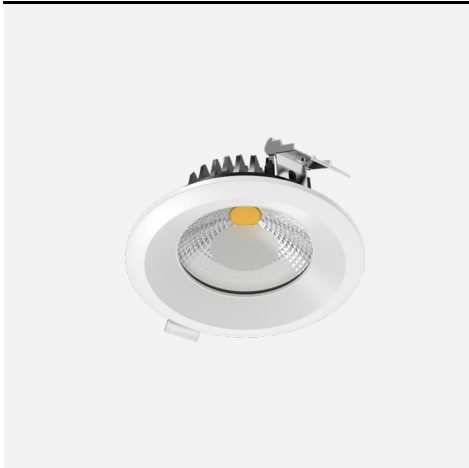
**PROJECT**

**TYPE**

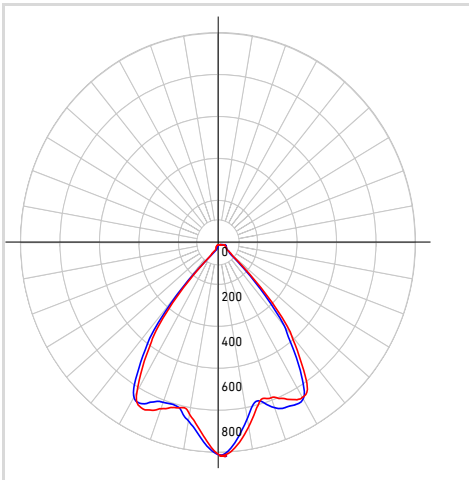
**DATE**

**QTY**

**NOTES**



## LIGHT DISTRIBUTION



\*Lumen output measured at 3000k

## QUICK SPECS

<b>Size</b>	4"
<b>Watts (W)</b>	20
<b>Delivered lumens*</b>	1415
<b>CRI</b>	90
<b>Voltage (v)</b>	120
<b>Beam angle (deg)</b>	93
<b>Cut hole size (in)</b>	4-1/4"
<b>Lifespan (hrs)</b>	50000
<b>FT rating</b>	FT6
<b>Binning</b>	3 SDCM
<b>LED model</b>	COB
<b>Color temperature</b>	2700K/3000K/3500K/4000K/5000K

## ELECTRICAL DETAILS

<b>Environment</b>	Wet
<b>Location</b>	Indoor/Outdoor
<b>Operating temp. (° C)</b>	-20 to 40
<b>IP rating</b>	IP44
<b>Input voltage (V)</b>	100-135v
<b>Output voltage (V)</b>	30-42
<b>Output current (mA)</b>	450mA
<b>Power factor (%)</b>	99
<b>Driver type</b>	Constant current
<b>THD</b>	<30%
<b>Certifications</b>	ETL, FCC, ICES, ES, IC, ASTM E283-04, T24/JA8

## ORDERING GUIDE

HPD4-CC	-	Voltage	-	Finish
		<b>BLANK</b> - 120v Triac dimming		<b>WH</b> - White ○
		<b>V</b> - 120-277-347V 0-10v dimming		<b>BK</b> - Black ●

## CONSTRUCTION

<b>Lens material</b>	Glass
<b>Optic type</b>	Reflector
<b>Finish type</b>	Matte
<b>Housing material</b>	Aluminum

**WHAT'S IN THE BOX**

LED recessed fixture  
 Junction box  
 3x Push-in wire connectors  
 Mounting hardware  
 Instruction sheet

**ACCESSORIES**

[RFP-UNI](#)  
 Universal drilling plate  
[RFP-46](#)  
 Drilling plate

**ADAPTORS**

[REC-CC-EXT8FT](#)  
 96" extension cord for recessed fixtures  
[REC-CC-EXT20FT](#)  
 240" extension cord for recessed fixtures

**RECOMMENDED DIMMER LIST\***

BRAND	MODEL	DIMMER SPECS	GRADE	MIN	MAX	MAX LOAD
Lutron	DVELV-300P-WH	300W electronic low voltage dimmer	Compatible	6	99	15
Lutron	MA-PRO-WH	ELV, 250W LED/CFL	Compatible	1	100	13
Lutron	Caseta PD-5NE-WH-C	ELV, LED—up to 250 W	Compatible	7	100	13
Control 4	C4-APD120-WH	ELV, 120W LED	Compatible	0	100	6

\*With Low-End Adjustment Feature

*Minimal buzzing noise may occur with some dimmers*

**WARRANTY**

DALS offers a 5-year warranty from the date of purchase which covers repairs or replacement of defective parts of the housing, optics, and electronics. To contact DAL'S customer service call 1-877-430-1818 or send an e-mail to [info@dals.com](mailto:info@dals.com).