



DALS LIGHTING

Canada
80, de la Seigneurie Blvd., E.
Blainville, Quebec J7C 4N1

U.S.A.
4383, NW 124th Ave.,
Coral Springs, Florida 33065

877.430.1818
info@dals.com
dals.com

MODEL FGM6-CC

NAME Pivot

6" Flat Gimbal Recessed

Look no further than our 6" flat gimbal LED downlight. With a powerful lumen output and the ability to shine your light on a 360 degree rotation and a 90° tilt angle, this product will meet your every needs.

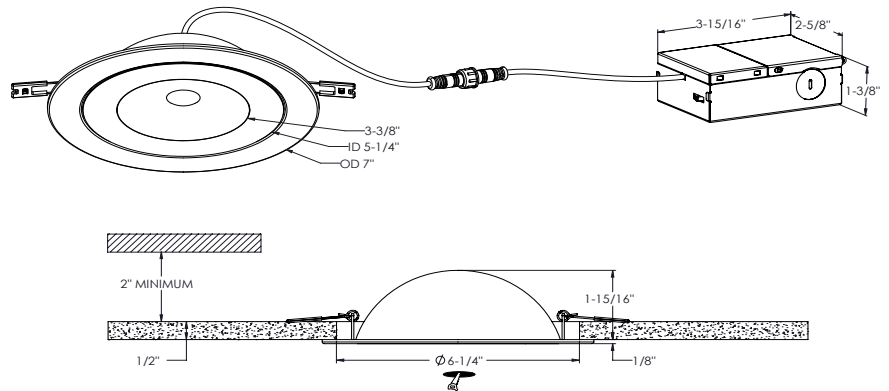
PROJECT

TYPE

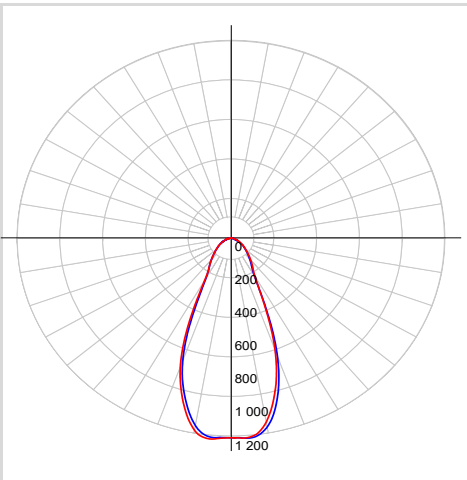
DATE

QTY

NOTES



LIGHT DISTRIBUTION



*Lumen output measured at 3000K

QUICK SPECS

Size	6"
Watts (W)	14
Delivered lumens*	1050
CRI	90
Voltage (v)	120
Beam angle (deg)	38°
Cut hole size (in)	6-1/2"
Lifespan (hrs)	50000
FT rating	FT6
Binning	3 SDCM
LED model	COB
Color temperature	2700K/3000K/3500K/4000K/5000K

ELECTRICAL DETAILS

Environment	Wet
Location	Indoor/Outdoor
Operating temp. (° C)	-20 to 40
IP rating	IP44
Input voltage (V)	108-135V
Output voltage (V)	35
Output current (mA)	330mA
Power factor (%)	99
Driver type	Constant current
THD	<30%
Certifications	ETL, FCC, ICES, ES, IC, ASTM E283-04, JA8/T24

ORDERING GUIDE

FGM6-CC	-	<input type="text"/>	-	<input type="text"/>
		Voltage		Finish
		BLANK - 120v Triac dimming		WH - White <input type="radio"/>
		V - 120-277-347V 0-10v dimming		BK - Black <input type="radio"/>
				SN - Satin nickel <input type="radio"/>

CONSTRUCTION

Lens material	Acrylic
Optic type	Optical lens
Finish type	Matte
Housing material	Aluminum

WHAT'S IN THE BOX	ACCESSORIES	ADAPTORS
LED recessed fixture	RFP-UNI	REC-CC-EXT8FT
Junction box	Universal drilling plate	96" extension cord for recessed fixtures
3x Push-in wire connectors	RFP-46	REC-CC-EXT20FT
Mounting hardware	Drilling plate	240" extension cord for recessed fixtures
Instruction sheet		

RECOMMENDED DIMMER LIST*

BRAND	MODEL	DIMMER SPECS	GRADE	MIN	MAX	MAX LOAD
Dals	SM-DIMSW Smart Dimmer*	Triac, 250W LED/CFL	Compatible	8	100	18
Lutron	DVCL-153PR-WH-C*	Triac, 150 W Dimmable CFL/LED	Compatible	6	100	11
Lutron	CTCL-153PDH-WH-C*	Triac, 150 W Dimmable CFL/LED	Compatible	5	100	11
Lutron	STCL-153PH-WH-C*	Triac, 150 W Dimmable CFL/LED	Compatible	0	100	11
Lutron	MACL-153MRHW-WHC*	Triac, 150 W Dimmable CFL/LED	Compatible	0	100	11
Lutron	DVELV-300P-WH	300W electronic low voltage dimmer	Compatible	7	100	21
Lutron	MA-PRO-WH*	ELV, 250W LED/CFL	Compatible	0	100	18
Lutron	Caseta PD-6WCL-WH-R-C*	Triac, 300W Dimmable CFL/LED	Compatible	0	100	11
Lutron	Caseta PD-5NE-WH-C*	ELV, LED—up to 250 W	Compatible	3	100	18
Leviton	DSM10-1LZ*	Triac, 450W Dimmable CFL/LED	Compatible	1	100	32
Leviton	6674*	Triac, 150 W Dimmable CFL/LED	Compatible	9	100	11
Leviton	¶PL06-10Z*	Triac, 150 W Dimmable CFL/LED	Compatible	7	100	11
Leviton	DSL06-1LZ*	Triac, 150 W Dimmable CFL/LED	Compatible	7	100	11
Leviton	D26HD-742-1RW*	Triac, 300W LED/CFL	Compatible	10	100	21
Legrand	RHCL453PNICCV4*	Triac, 450W Dimmable CFL/LED	Compatible	6	100	32
Legrand	RHL373PW*	Triac, 250W LED	Compatible	1	100	18
Control 4	C4-APD120-WH	ELV, 120W LED	Compatible	0	100	9
Control 4	C4-FPD120-WH	Triac, 200W LED	Compatible	0	100	14
TP-Link	HS220*	Triac, 150 W, Dimmable LED (MLV)	Compatible	3	100	11

*With Low-End Adjustment Feature

Minimal buzzing noise may occur with some dimmers

WARRANTY

DALS offers a 5-year warranty from the date of purchase which covers repairs or replacement of defective parts of the housing, optics, and electronics. To contact DALS customer service call 1-877-430-1818 or send an e-mail to info@dals.com.