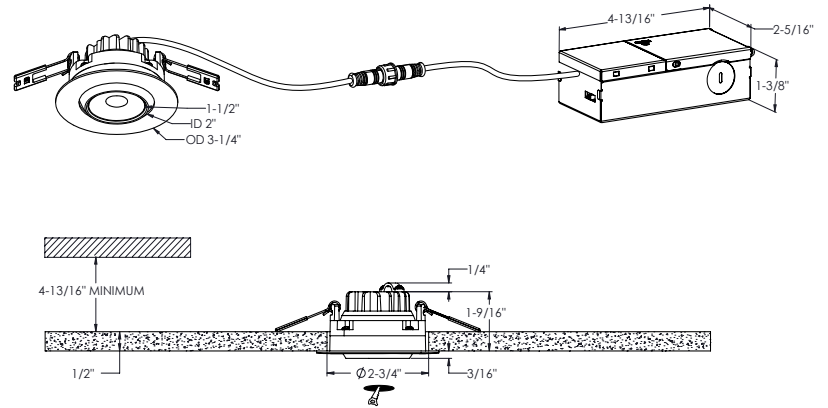
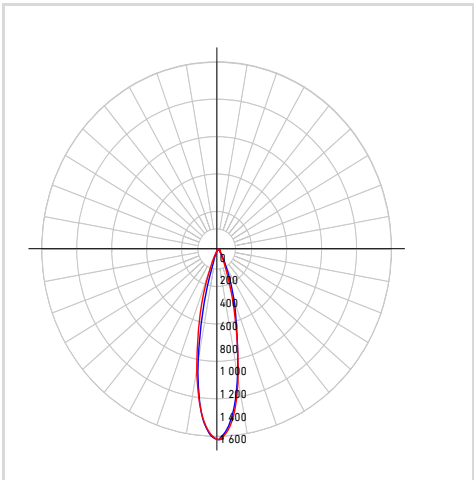


MODEL LEDDOWNG3-CC

NAME Scope

3 Inch Round Recessed LED Gimbal Light

There are moments when you want the ability to direct light as you please. With our new LED Gimbal recessed fixture, this has now become a reality with the easiest of installations.

PROJECT
TYPE
DATE
QTY
NOTES

LIGHT DISTRIBUTION


*Lumen output measured at 3000k

QUICK SPECS

Size	3"
Watts (W)	8
Delivered lumens*	680
CRI	90
Voltage (v)	120
Beam angle (deg)	40
Cut hole size (in)	2-3/4"
Lifespan (hrs)	50000
FT rating	FT6
Binning	3 SDCM
LED model	COB
Color temperature	2700K/3000K/3500K/4000K/5000K

ELECTRICAL DETAILS

Environment	Wet
Location	Indoor/Outdoor
Operating temp. (° C)	-20 to 40
IP rating	IP44
Input voltage (V)	100-135
Output voltage (V)	21
Output current (mA)	300
Power factor (%)	97
Driver type	Constant current
THD	<30%
Certifications	ETL, FCC, ICES, ES, IC, ASTM E283-04, T24/JA8

ORDERING GUIDE

LEDDOWNG3-CC	-	Voltage	-	Finish
		BLANK - 120v Triac dimming		WH - White ○
		V - 120-277-347V 0-10v dimming		BK - Black ●
				SN - Satin nickel ●

CONSTRUCTION

Lens material	Acrylic
Optic type	Optical lens
Finish type	Matte
Housing material	Aluminum

WHAT'S IN THE BOX	ACCESSORIES	ADAPTORS
LED recessed fixture	RFP-UNI	REC-CC-EXT8FT
Junction box	Universal drilling plate	96" extension cord for recessed fixtures
3x Push-in wire connectors	RFP-23	REC-CC-EXT20FT
Mounting hardware	Drilling plate	240" extension cord for recessed fixtures
Instruction sheet	RFP-46	
	Drilling plate	

RECOMMENDED DIMMER LIST*

BRAND	MODEL	DIMMER SPECS	GRADE	MIN	MAX	MAX LOAD
Dals	SM-DIMSW Smart Dimmer*	Triac, 250W LED/CFL	Compatible	9	99	31
Lutron	DVCL-153PR-WH-C*	Triac, 150 W Dimmable CFL/LED	Compatible	6	99	19
Lutron	CTCL-153PDH-WH-C*	Triac, 150 W Dimmable CFL/LED	Compatible	6	99	19
Lutron	STCL-153PH-WH-C*	Triac, 150 W Dimmable CFL/LED	Compatible	1	98	19
Lutron	MACL-153MRHW-WHC*	Triac, 150 W Dimmable CFL/LED	Compatible	1	97	19
Lutron	DVELV-300P-WH	300W electronic low voltage dimmer	Compatible	9	97	38
Lutron	MA-PRO-WH*	ELV, 250W LED/CFL	Compatible	0	98	31
Lutron	Caseta PD-6WCL-WH-R-C*	Triac, 300W Dimmable CFL/LED	Compatible	1	97	19
Lutron	Caseta PD-5NE-WH-C*	ELV, LED—up to 250 W	Compatible	4	98	31
Lutron	Caseta PD-10NXD-WH*	Triac, LED—up to 250 W	Compatible	1	94	31
Leviton	DSM10-1LZ*	Triac, 450W Dimmable CFL/LED	Compatible	1	98	56
Leviton	6674*	Triac, 150 W Dimmable CFL/LED	Compatible	10	98	19
Leviton	PL06-10Z*	Triac, 150 W Dimmable CFL/LED	Compatible	8	98	19
Leviton	DSL06-1LZ*	Triac, 150 W Dimmable CFL/LED	Compatible	4	98	19
Leviton	D26HD-742-1RW*	Triac, 300W LED/CFL	Compatible	10	98	38
Legrand	RHCL453PNICCV4*	Triac, 450W Dimmable CFL/LED	Compatible	8	97	56
Legrand	ADTP703TUM4*	Triac, 450W Dimmable CFL/LED	Compatible	3	90	56
Legrand	RHL373PW*	Triac, 250W LED	Compatible	1	98	31
Control 4	C4-APD120-WH	ELV, 120W LED	Compatible	0	100	15
Control 4	C4-FPD120-WH	Triac, 200W LED	Compatible	0	100	25
TP-Link	HS220*	Triac, 150 W, Dimmable LED (MLV)	Compatible	3	100	19

*With Low-End Adjustment Feature

Minimal buzzing noise may occur with some dimmers

WARRANTY

DALS offers a 5-year warranty from the date of purchase which covers repairs or replacement of defective parts of the housing, optics, and electronics. To contact DALS customer service call 1-877-430-1818 or send an e-mail to info@dals.com.