



DALS LIGHTING

Canada
80, de la Seigneurie blvd., E.
Blainville, Quebec j7C 4N1

U.S.A.
4383, NW 124th Ave.,
Coral Springs, Florida 33065

877.430.1818
info@dals.com
dals.com

MODEL FGM4-3K

NAME Pivot

4 Inch Flat Recessed LED Gimbal Light
When searching for lighting flexibility, look no further than our 4" flat gimbal LED downlights. With powerful lumen output and the ability to direct light with a 360° rotation and a 90° tilt angle, this product will meet your every need.

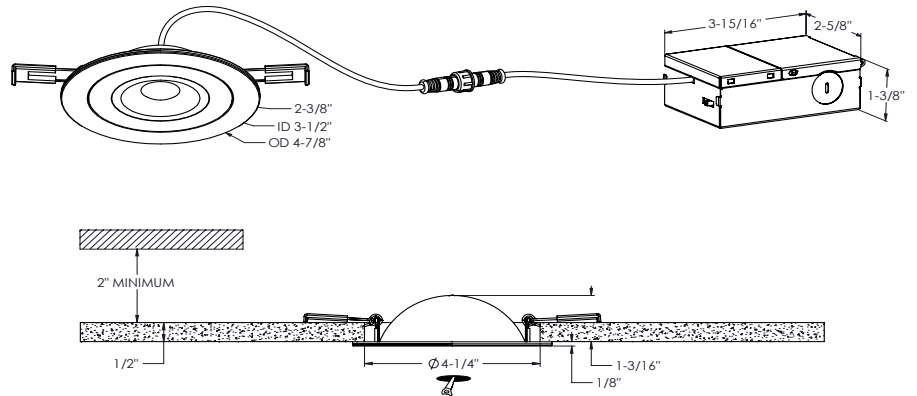
PROJECT

TYPE

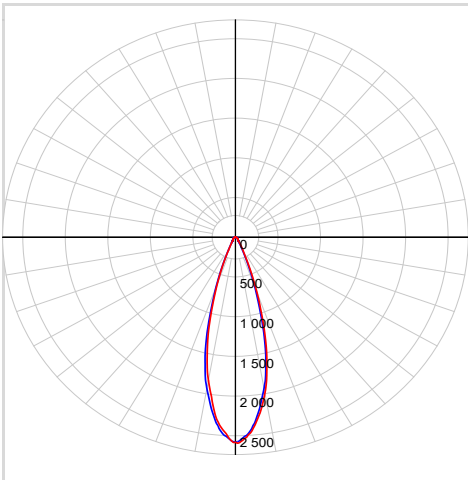
DATE

QTY

NOTES



LIGHT DISTRIBUTION



QUICK SPECS

Size	4"
Watts (W)	9
Delivered lumens*	700
CRI	90
Voltage (v)	120
Beam angle (deg)	40°
Cut hole size (in)	4-1/4"
Lifespan (hrs)	50 000
FT rating	FT6
Binning	3 SDCM
LED model	COB
Color temperature	3000k

ELECTRICAL DETAILS

Environment	Damp
Location	Indoor
Operating temp. (° C)	-20 to 40
IP rating	IP44
Input voltage (V)	108-135
Output voltage (V)	18-24
Output current (mA)	380
Power factor (%)	97
Driver type	Constant current
THD	≤ 30%
Certifications	ETL, FCC, ICES, ES, IC, ASTM E283-04

*Lumen output measured at 3000k

ORDERING GUIDE

FGM4-3K	-	<input type="text"/>	-	<input type="text"/>
		Voltage		Finish
		BLANK - 120v Triac dimming		WH - White <input type="radio"/>
		V - 120-277-347V 0-10v dimming		BK - Black <input type="radio"/>
				SN - Satin nickel <input type="radio"/>

CONSTRUCTION

Lens material	Acrylic
Optic type	Optical lens
Finish type	Matte
Housing material	Aluminum

WHAT'S IN THE BOX

LED recessed fixture
 Junction box
 3x Push-in wire connectors
 Mounting hardware
 Instruction sheet

ACCESSORIES

[RFP-UNI](#)
 Universal drilling plate
[RFP-46](#)
 Drilling plate

ADAPTORS

[REC-CC-EXT8FT](#)
 96" extension cord for recessed fixtures
[REC-CC-EXT20FT](#)
 240" extension cord for recessed fixtures

RECOMMENDED DIMMER LIST*

BRAND	MODEL	DIMMER SPECS	GRADE	MIN	MAX	MAX LOAD
Dals	SM-DIMSW Smart Dimmer*	Triac, 250W LED/CFL	Compatible	6	100	28
Lutron	DVCL-153PR-WH-C*	Triac, 150 W Dimmable CFL/LED	Compatible	6	100	17
Lutron	CTCL-153PDH-WH-C*	Triac, 150 W Dimmable CFL/LED	Compatible	5	100	17
Lutron	DVLV-600P-BL	Magnetic Low Voltage, 450W	Compatible	9	100	50
Lutron	MACL-153MRHW-WHC*	Triac, 150 W Dimmable CFL/LED	Compatible	2	100	17
Lutron	DVELV-300P-WH	300W electronic low voltage dimmer	Compatible	6	93	33
Lutron	MA-PRO-WH*	ELV, 250W LED/CFL	Compatible	0	100	28
Lutron	Caseta PD-6WCL-WH-R-C*	Triac, 300W Dimmable CFL/LED	Compatible	0	96	17
Lutron	Caseta PD-5NE-WH-C*	ELV, LED—up to 250 W	Compatible	3	100	28
Lutron	Caseta PD-10NXD-WH*	Triac, LED—up to 250 W	Compatible	0	93	28
Leviton	DSM10-1LZ*	Triac, 450W Dimmable CFL/LED	Compatible	2	100	50
Leviton	6674*	Triac, 150 W Dimmable CFL/LED	Compatible	10	100	17
Leviton	PL06-10Z*	Triac, 150 W Dimmable CFL/LED	Compatible	8	100	17
Leviton	DSL06-1LZ*	Triac, 150 W Dimmable CFL/LED	Compatible	8	100	17
Leviton	D26HD-742-1RW*	Triac, 300W LED/CFL	Compatible	8	100	33
Legrand	RHCL453PNICCV4*	Triac, 450W Dimmable CFL/LED	Compatible	5	100	50
Legrand	ADPD453LM2*	Triac, 450W Dimmable CFL/LED	Compatible	10	100	50
Legrand	RHL373PW*	Triac, 250W LED	Compatible	1	96	28
Control 4	C4-APD120-WH	ELV, 120W LED	Compatible	0	140	13
Control 4	C4-FPD120-WH	Triac, 200W LED	Compatible	0	100	22
TP-Link	HS220*	Triac, 150 W, Dimmable LED (MLV)	Compatible	2	100	17

*With Low-End Adjustment Feature

Minimal buzzing noise may occur with some dimmers

WARRANTY

DALS offers a 5-year warranty from the date of purchase which covers repairs or replacement of defective parts of the housing, optics, and electronics. To contact DALS customer service call 1-877-430-1818 or send an e-mail to info@dals.com.