



DALS LIGHTING

Canada
80, de la Seigneurie blvd., E.
Blainville, Quebec J7C 4N1

U.S.A.
4383, NW 124th Ave.,
Coral Springs, Florida 33065

877.430.1818
info@dals.com
dals.com

MODEL SPN6SQ-CC-3T

NAME Mystique

6" Square CCT Recessed Slim Panel
With Interchangeable Trims

If you are looking for a sleek, attractive LED option for your ceilings, then our color changing panel light with interchangeable trims is the perfect choice.



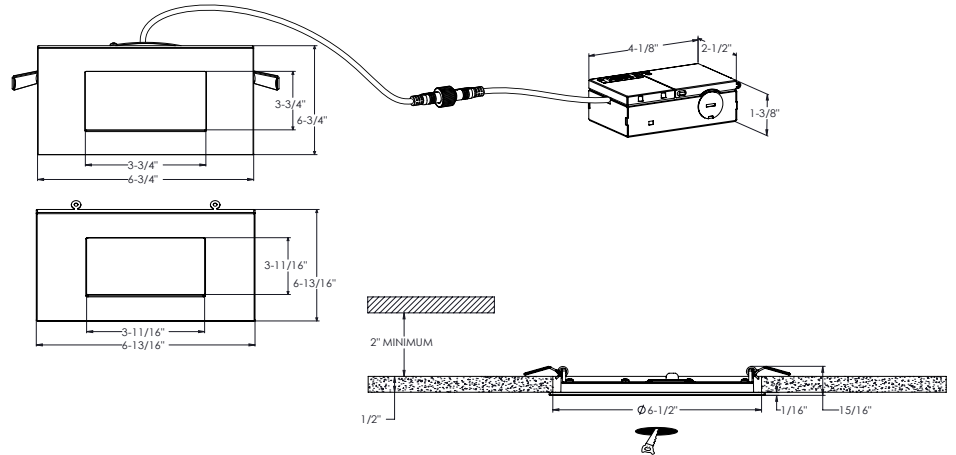
PROJECT

DATE

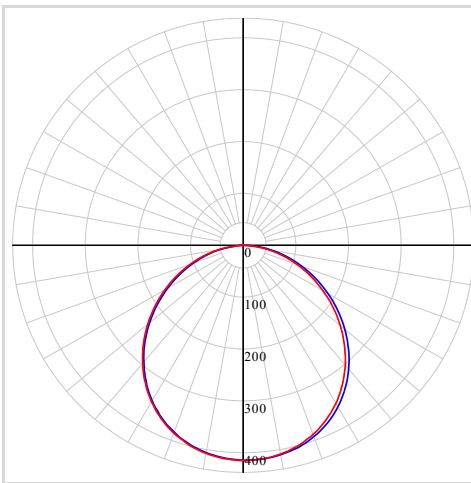
NOTES

TYPE

QTY



LIGHT DISTRIBUTION



QUICK SPECS

Size	6"
Watts (W)	14
Delivered lumens*	1,100
CRI	90
Voltage (v)	120
Beam angle (deg)	110
Cut hole size (in)	6-1/2"
Lifespan (hrs)	50000
FT rating	FT6
Binning	4 SDCM
LED model	SMD 2835
Color temperature	2700K/3000K/3500K/4000K/5000K

ELECTRICAL DETAILS

Environment	Wet
Location	Indoor/Outdoor
Operating temp. (° C)	-20 to 40
IP rating	IP44
Input voltage (V)	108-132
Output voltage (V)	32-38
Output current (mA)	340
Power factor	90
Driver type	Constant current
THD	<20%
Certifications	ETL, FCC, ICES, ES, JA8
	IC, ASTM E283-04

*Lumen output measured at 3000k

ORDERING GUIDE

SPN6SQ-CC

-

Voltage

BLANK - 120v
Triac dimming

V - 120-277-347V
0-10v dimming

3T

Finish

CONSTRUCTION

Lens material Plastic

Optic type Frosted lens

Finish type Matte

Housing material Aluminum

WHAT'S IN THE BOX

LED recessed fixture
 3 interchangeable trim colors
 Junction box
 3x Push-in wire connectors
 Mounting hardware
 Instruction sheet

ACCESSORIES

[RPF-46](#)
 Drilling plate

[RPF-UNI](#)
 Universal drilling plate

ADAPTORS

[5000-EXT8FT](#)
 96" extension cord for recessed fixtures

[5000-EXT20FT](#)
 240" extension cord for recessed fixtures

RECOMMENDED DIMMER LIST*

BRAND	MODEL	DIMMER SPECS	GRADE	MIN	MAX	MAX LOAD
Dals	SM-DIMSW Smart Dimmer*	Triac, 250W LED/CFL	Compatible	6	100	18
Lutron	DVCL-153PR-WH-C*	Triac, 150 W Dimmable CFL/LED	Compatible	8	100	11
Lutron	CTCL-153PDH-WH-C*	Triac, 150 W Dimmable CFL/LED	Compatible	8	100	11
Lutron	STCL-153PH-WH-C*	Triac, 150 W Dimmable CFL/LED	Compatible	4	100	11
Lutron	MACL-153MRHW-WHC*	Triac, 150 W Dimmable CFL/LED	Compatible	3	100	11
Lutron	DVELV-300P-WH	300W electronic low voltage dimmer	Compatible	5	94	21
Lutron	MA-PRO-WH*	ELV, 250W LED/CFL	Compatible	4	100	18
Lutron	Caseta PD-6WCL-WH-R-C*	Triac, 300W Dimmable CFL/LED	Compatible	1	100	21
Lutron	Caseta PD-5NE-WH-C*	ELV, LED—up to 250 W	Compatible	13	100	18
Lutron	Caseta PD-10NXD-WH*	Triac, LED—up to 250 W	Compatible	0	100	18
Leviton	DSM10-1LZ*	Triac, 450W Dimmable CFL/LED	Compatible	6	100	32
Leviton	6674*	Triac, 150 W Dimmable CFL/LED	Compatible	7	100	11
Leviton	PL06-10Z*	Triac, 150 W Dimmable CFL/LED	Compatible	6	100	11
Leviton	DSL06-1LZ*	Triac, 150 W Dimmable CFL/LED	Compatible	6	100	11
Leviton	D26HD-742-1RW*	Triac, 300W LED/CFL	Compatible	7	100	21
Legrand	RHCL453PNICCV4*	Triac, 450W Dimmable CFL/LED	Compatible	10	100	32
Legrand	ADTP703TUM4*	Triac, 450W Dimmable CFL/LED	Compatible	9	96	32
Control 4	C4-APD120-WH	ELV, 120W LED	Compatible	0	100	9
Commercial Electric	HPDA311CW*	Triac, 150W LED & CFL	Compatible	0	100	11
TP-Link	HS220*	Triac, 150 W, Dimmable LED (MLV)	Compatible	2	100	11

*With Low-End Adjustment Feature

Minimal buzzing noise may occur with some dimmers

WARRANTY

DALS offers a 5-year warranty from the date of purchase which covers repairs or replacement of defective parts of the housing, optics, and electronics. To contact DALS customer service call 1-877-430-1818 or send an e-mail to info@dals.com.