



DALS LIGHTING

Canada
80, de la Seigneurie blvd., E.
Blainville, Quebec j7C 4N1

U.S.A.
4383, NW 124th Ave.,
Coral Springs, Florida 33065

877.430.1818
info@dals.com
dals.com

MODEL SNP4SQ-CC-3T

NAME Mystique

4" Square CCT Recessed Slim Panel
With Interchangeable Trims

If you are looking for a sleek, attractive LED option for your ceilings, then our color changing panel light with interchangeable trims is the perfect choice.



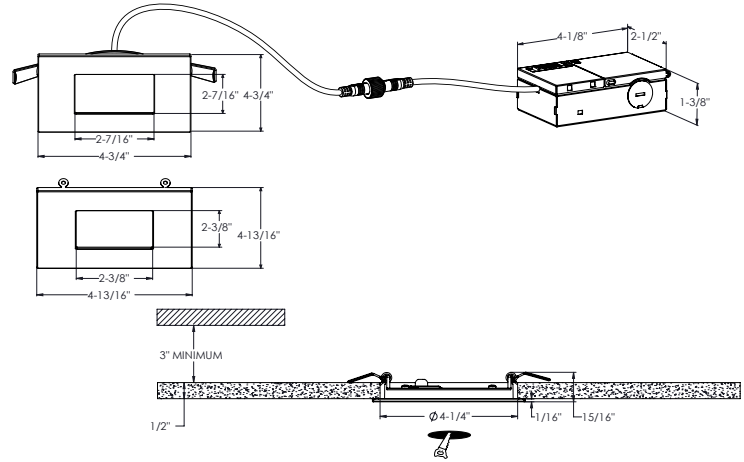
PROJECT

TYPE

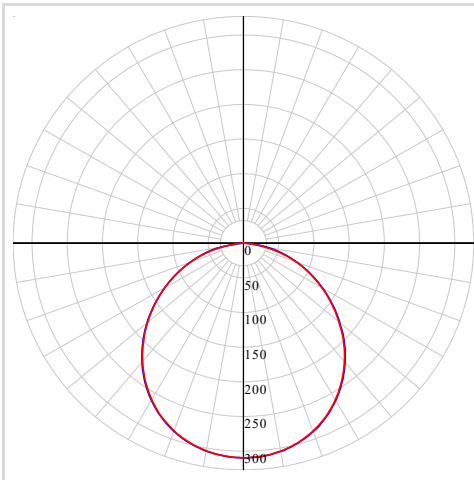
DATE

QTY

NOTES



LIGHT DISTRIBUTION



*Lumen output measured at 3000k

QUICK SPECS

Size	4"
Watts (W)	11
Delivered lumens*	800
CRI	90
Voltage (v)	120
Beam angle (deg)	110
Cut hole size (in)	4-1/4"
Lifespan (hrs)	50000
FT rating	FT6
Binning	4 SDCM
LED model	SMD 2835
Color temperature	2700K/3000K/3500K/4000K/5000K

ELECTRICAL DETAILS

Environment	Wet
Location	Indoor/Outdoor
Operating temp. (° C)	-20 to 40
IP rating	IP44
Input voltage (V)	108-132
Output voltage (V)	29-35
Output current (mA)	300
Power factor	90
Driver type	Constant current
THD	<20%
Certifications	ETL, FCC, ICES, ES, T24/JA8
	IC, ASTM E283-04

ORDERING GUIDE

SPN4SQ-CC	-		-	3T
		Voltage		Finish
		BLANK - 120v Triac dimming		
		V - 120-277-347V 0-10v dimming		

CONSTRUCTION

Lens material	Plastic
Optic type	Frosted lens
Finish type	Matte
Housing material	Aluminum

WHAT'S IN THE BOX	ACCESSORIES	ADAPTORS
LED recessed fixture	RFP-46	5000-EXT8FT
3 interchangeable trim colors	Drilling plate	96" extension cord for recessed fixtures
Junction box		
3x Push-in wire connectors	RFP-UNI	5000-EXT20FT
Mounting hardware	Universal drilling plate	240" extension cord for recessed fixtures
Instruction sheet		

RECOMMENDED DIMMER LIST*

BRAND	MODEL	DIMMER SPECS	GRADE	MIN	MAX	MAX LOAD
Dals	SM-DIMSW Smart Dimmer*	Triac, 250W LED/CFL	Compatible	5	100	22
Lutron	DVCL-153PR-WH-C*	Triac, 150 W Dimmable CFL/LED	Compatible	6	100	13
Lutron	CTCL-153PDH-WH-C*	Triac, 150 W Dimmable CFL/LED	Compatible	9	100	13
Lutron	STCL-153PH-WH-C*	Triac, 150 W Dimmable CFL/LED	Compatible	6	100	13
Lutron	MACL-153MRHW-WHC*	Triac, 150 W Dimmable CFL/LED	Compatible	7	100	13
Lutron	DVELV-300P-WH	300W electronic low voltage dimmer	Compatible	8	100	26
Lutron	MA-PRO-WH*	ELV, 250W LED/CFL	Compatible	2	94	22
Lutron	Caseta PD-6WCL-WH-R-C*	Triac, 300W Dimmable CFL/LED	Compatible	2	100	26
Lutron	Caseta PD-5NE-WH-C*	ELV, LED—up to 250 W	Compatible	3	100	22
Lutron	Caseta PD-10NXD-WH*	Triac, LED—up to 250 W	Compatible	2	100	22
Leviton	DSM10-1LZ*	Triac, 450W Dimmable CFL/LED	Compatible	10	100	39
Leviton	6674*	Triac, 150 W Dimmable CFL/LED	Compatible	9	100	13
Leviton	PL06-10Z*	Triac, 150 W Dimmable CFL/LED	Compatible	8	100	13
Leviton	DSL06-1LZ*	Triac, 150 W Dimmable CFL/LED	Compatible	7	100	13
Leviton	D26HD-742-1RW*	Triac, 300W LED/CFL	Compatible	9	100	26
Legrand	ADTP703TUM4*	Triac, 450W Dimmable CFL/LED	Compatible	3	100	39
Control 4	C4-APD120-WH	ELV, 120W LED	Compatible	1	100	10
Commercial Electric	HPDA311CWB*	Triac, 150W LED & CFL	Compatible	0	100	13
TP-Link	HS220*	Triac, 150 W, Dimmable LED (MLV)	Compatible	5	100	13

*With Low-End Adjustment Feature

Minimal buzzing noise may occur with some dimmers

WARRANTY

DALS offers a 5-year warranty from the date of purchase which covers repairs or replacement of defective parts of the housing, optics, and electronics. To contact DAL'S customer service call 1-877-430-1818 or send an e-mail to info@dals.com.