



DALS LIGHTING

Canada
80, de la Seigneurie blvd., E.
Blainville, Quebec j7c 4n1

U.S.A.
4383, NW 124th Ave.,
Coral Springs, Florida 33065

877.430.1818
info@dals.com
dals.com

MODEL 2004

NAME Access

4 Inch Round Regressed Down Light

Our new LED Panel lights are more accessible than ever before. The sleek and minimal construction allows for the easiest of installations.



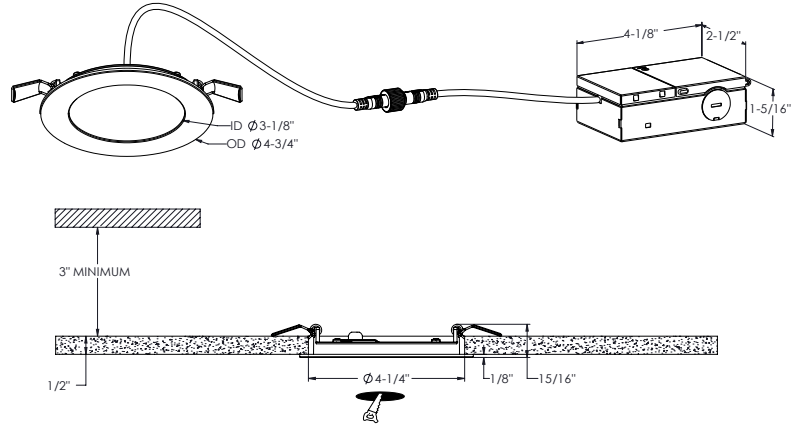
PROJECT

TYPE

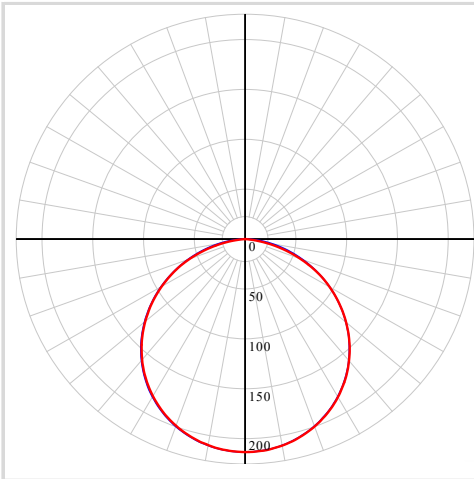
DATE

QTY

NOTES



LIGHT DISTRIBUTION



*Lumen output measured at 3000k

QUICK SPECS

| | |
|---------------------------|-----------|
| Size | 4" |
| Watts (W) | 9 |
| Delivered lumens* | 600 |
| CRI | 80 |
| Voltage (v) | 120 |
| Beam angle (deg) | 110° |
| Cut hole size (in) | 4-1/4" |
| Lifespan (hrs) | 35,000hrs |
| FT rating | FT1 |
| Binning | 7 SDCM |
| LED model | SMD 2835 |
| Color temperature | 3000k |

ELECTRICAL DETAILS

| | |
|------------------------------|-------------------------|
| Environment | Damp |
| Location | in |
| Operating temp. (° C) | -20 to 40 |
| IP rating | IP44 |
| Input voltage (V) | 120 |
| Output voltage (V) | 27-33 |
| Output current (mA) | 270 |
| Power factor | 70 |
| Driver type | Constant current |
| THD | < 20% |
| Certifications | ETL, FCC, ICES, ES, JA8 |
| | IC, ASTM E283-04 |

ORDERING GUIDE

| | | | | |
|------|---|--|---|-------------------|
| 2004 | - | | - | |
| | | Voltage | | Finish |
| | | BLANK - 120v Triac dimming | | WH - White |
| | | V - 120-277-347V 0-10v dimming | | |

CONSTRUCTION

| | |
|-------------------------|--------------|
| Lens material | Plastic |
| Optic type | Frosted lens |
| Finish type | Matte |
| Housing material | Aluminum |

| WHAT'S IN THE BOX | ACCESSORIES | ADAPTORS |
|----------------------------|--------------------------|---|
| LED recessed fixture | RPF-UNI | 2000-EXT8FT |
| Junction box | Universal drilling plate | 96" extension cord for recessed fixtures |
| 3x Push-in wire connectors | | |
| Mounting hardware | RPF-46 | 2000-EXT20FT |
| Instruction sheet | Drilling plate | 240" extension cord for recessed fixtures |

RECOMMENDED DIMMER LIST*

| BRAND | MODEL | DIMMER SPECS | GRADE | MIN | MAX | MAX LOAD |
|-----------|------------------------|------------------------------------|------------|-----|-----|----------|
| Dals | SM-DIMSW Smart Dimmer* | Triac, 250W LED/CFL | Compatible | 6 | 100 | 28 |
| Lutron | DVCL-153PR-WH-C* | Triac, 150 W Dimmable CFL/LED | Compatible | 8 | 100 | 17 |
| Lutron | CTCL-153PDH-WH-C* | Triac, 150 W Dimmable CFL/LED | Compatible | 11 | 100 | 17 |
| Lutron | STCL-153PH-WH-C* | Triac, 150 W Dimmable CFL/LED | Compatible | 2 | 100 | 17 |
| Lutron | DVWCL-153PH-WHC* | Triac, 150 W Dimmable CFL/LED | Compatible | 8 | 100 | 17 |
| Lutron | MACL-153MRHW-WHC* | Triac, 150 W Dimmable CFL/LED | Compatible | 5 | 100 | 17 |
| Lutron | DVELV-300P-WH | 300W electronic low voltage dimmer | Compatible | 10 | 95 | 33 |
| Lutron | MA-PRO-WH* | ELV, 250W LED/CFL | Compatible | 1 | 100 | 28 |
| Lutron | Caseta PD-6WCL-WH-R-C* | Triac, 300W Dimmable CFL/LED | Compatible | 7 | 100 | 33 |
| Lutron | Caseta PD-5NE-WH-C* | ELV, LED—up to 250 W | Compatible | 7 | 100 | 28 |
| Lutron | Caseta PD-10NXD-WH* | Triac, LED—up to 250 W | Compatible | 0 | 99 | 28 |
| Leviton | DSM10-1LZ* | Triac, 450W Dimmable CFL/LED | Compatible | 7 | 100 | 50 |
| Leviton | 6674* | Triac, 150 W Dimmable CFL/LED | Compatible | 11 | 100 | 17 |
| Leviton | PL06-10Z* | Triac, 150 W Dimmable CFL/LED | Compatible | 9 | 99 | 17 |
| Leviton | DSL06-1LZ* | Triac, 150 W Dimmable CFL/LED | Compatible | 9 | 99 | 17 |
| Leviton | D26HD-742-1RW* | Triac, 300W LED/CFL | Compatible | 10 | 99 | 33 |
| Legrand | RHCL453PNICCV4* | Triac, 450W Dimmable CFL/LED | Compatible | 12 | 100 | 50 |
| Control 4 | C4-APD120-WH | ELV, 120W LED | Compatible | 0 | 99 | 13 |
| Control 4 | C4-FPD120-WH | Triac, 200W LED | Compatible | 9 | 99 | 22 |
| TP-Link | HS220* | Triac, 150 W, Dimmable LED (MLV) | Compatible | 7 | 98 | 17 |

*With Low-End Adjustment Feature

Minimal buzzing noise may occur with some dimmers

WARRANTY

DALS offers a 5-year warranty from the date of purchase which covers repairs or replacement of defective parts of the housing, optics, and electronics. To contact DAL'S customer service call 1-877-430-1818 or send an e-mail to info@dals.com.