



# DALS LIGHTING

Canada  
80, de la Seigneurie blvd., E.  
Blainville, Quebec j7C 4N1

U.S.A.  
4383, NW 124th Ave.,  
Coral Springs, Florida 33065

877.430.1818  
info@dals.com  
dals.com

**MODEL** IND6-DW

**NAME** Indirect

6 Inch Round Indirect LED Recessed Light

Imagine being able to create the perfect mood when dimming your lights. This is now possible with our Dim to Warm concept, generating a warm, exquisite glow to set the tone for your evening.

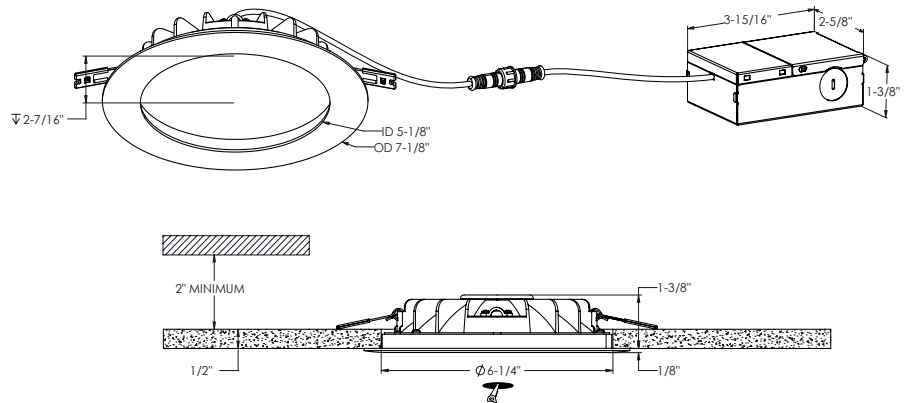
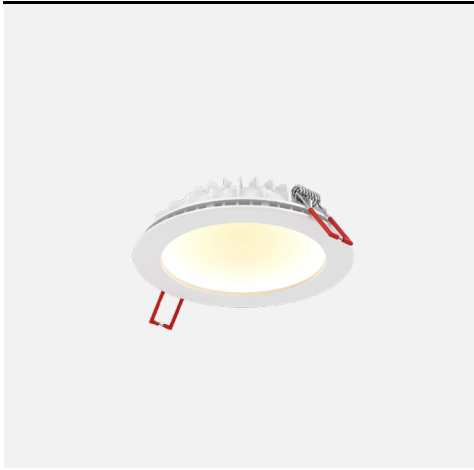
**PROJECT**

**TYPE**

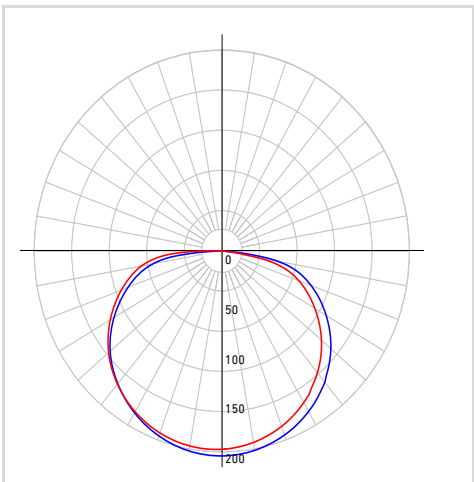
**DATE**

**QTY**

**NOTES**



## LIGHT DISTRIBUTION



## QUICK SPECS

<b>Size</b>	6"
<b>Watts (W)</b>	12
<b>Delivered lumens*</b>	750
<b>CRI</b>	80
<b>Voltage (v)</b>	120
<b>Beam angle (deg)</b>	110
<b>Cut hole size (in)</b>	6-1/2"
<b>Lifespan (hrs)</b>	50000
<b>FT rating</b>	FT6
<b>Binning</b>	3 SDCM
<b>LED model</b>	SMD 2835
<b>Color temperature</b>	3000K - 2200K

## ELECTRICAL DETAILS

<b>Environment</b>	Damp
<b>Location</b>	Indoor
<b>Operating temp. (° C)</b>	-20 to 40
<b>IP rating</b>	IP44
<b>Input voltage (V)</b>	100-135v
<b>Output voltage (V)</b>	30
<b>Output current (mA)</b>	330
<b>Power factor (%)</b>	98
<b>Driver type</b>	Constant current
<b>THD</b>	<30%
<b>Certifications</b>	ETL, FCC, ICES, IC, ASTM E283-04

\*Lumen output measured at 3000k

## ORDERING GUIDE

IND6-DW - Voltage - Finish

**BLANK** - 120v Triac dimming      **WH** - White ○

## CONSTRUCTION

<b>Lens material</b>	Acrylic
<b>Optic type</b>	Reflector
<b>Finish type</b>	Matte
<b>Housing material</b>	Aluminum

**WHAT'S IN THE BOX**

LED recessed fixture  
 Junction box  
 3x Push-in wire connectors  
 Mounting hardware  
 Instruction sheet

**ACCESSORIES**

[RFP-UNI](#)  
 Universal drilling plate  
[RFP-46](#)  
 Drilling plate

**ADAPTORS**

[REC-CC-EXT8FT](#)  
 96" extension cord for recessed fixtures  
[REC-CC-EXT20FT](#)  
 240" extension cord for recessed fixtures

**RECOMMENDED DIMMER LIST\***

BRAND	MODEL	DIMMER SPECS	GRADE	MIN	MAX	MAX LOAD
Dals	SM-DIMSW Smart Dimmer*	Triac, 250W LED/CFL	Compatible	8	100	21
Lutron	DVCL-153PR-WH-C*	Triac, 150 W Dimmable CFL/LED	Compatible	6	99	13
Lutron	CTCL-153PDH-WH-C*	Triac, 150 W Dimmable CFL/LED	Compatible	6	99	13
Lutron	STCL-153PH-WH-C*	Triac, 150 W Dimmable CFL/LED	Compatible	1	98	13
Lutron	MACL-153MRHW-WHC*	Triac, 150 W Dimmable CFL/LED	Compatible	1	98	13
Lutron	MA-PRO-WH*	ELV, 250W LED/CFL	Compatible	2	98	21
Lutron	Caseta PD-5NE-WH-C*	ELV, LED—up to 250 W	Compatible	5	98	21
Lutron	Caseta PD-10NXD-WH*	Triac, LED—up to 250 W	Compatible	1	98	21
Leviton	6674*	Triac, 150 W Dimmable CFL/LED	Compatible	8	99	13
Leviton	¶PL06-10Z*	Triac, 150 W Dimmable CFL/LED	Compatible	6	99	13
Leviton	DSL06-1LZ*	Triac, 150 W Dimmable CFL/LED	Compatible	6	99	13
Legrand	RHL373PW*	Triac, 250W LED	Compatible	4	97	21
Control 4	C4-APD120-WH	ELV, 120W LED	Compatible	1	99	10
Control 4	C4-FPD120-WH	Triac, 200W LED	Compatible	1	99	17
TP-Link	HS220*	Triac, 150 W, Dimmable LED (MLV)	Compatible	4	99	13

\*With Low-End Adjustment Feature

Minimal buzzing noise may occur with some dimmers

**WARRANTY**

DALS offers a 5-year warranty from the date of purchase which covers repairs or replacement of defective parts of the housing, optics, and electronics. To contact DALS customer service call 1-877-430-1818 or send an e-mail to [info@dals.com](mailto:info@dals.com).