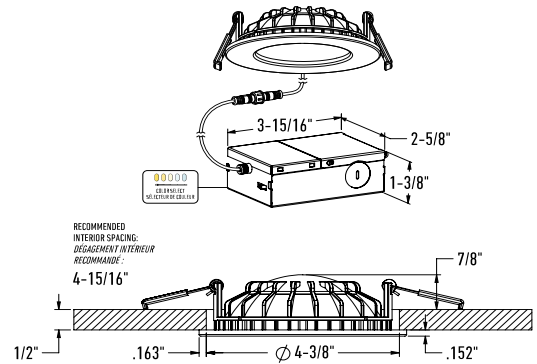
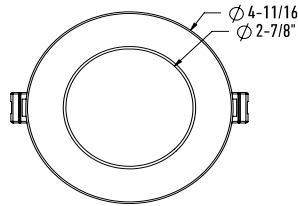
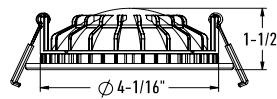
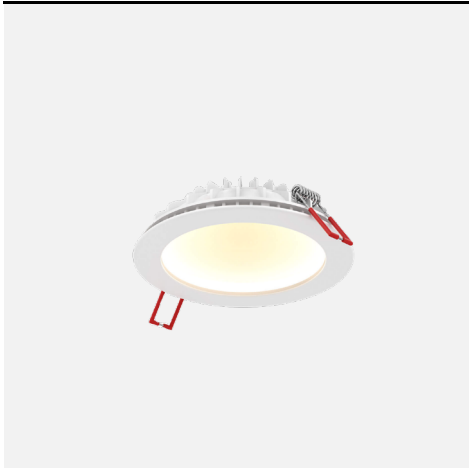
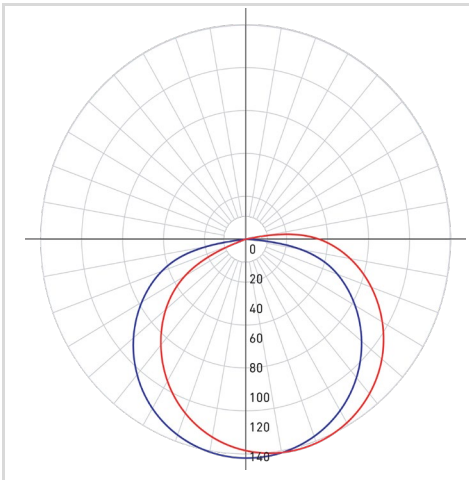


MODEL IND4-DW

NAME Indirect

4 Inch Round Indirect LED Recessed Light

Imagine being able to create the perfect mood when dimming your lights. This is now possible with our Dim to Warm concept, generating a warm, exquisite glow to set the tone for your evening.

PROJECT
TYPE
DATE
QTY
NOTES

LIGHT DISTRIBUTION


*Lumen output measured at 3000k

QUICK SPECS

Size	4"
Watts (W)	9
Delivered lumens*	500
CRI	80
Voltage (v)	120
Beam angle (deg)	110
Cut hole size (in)	4-1/4"
Lifespan (hrs)	50 000
FT rating	FT6
Binning	3 SDCM
LED model	SMD 2835
Color temperature	3000K - 2000 K

ELECTRICAL DETAILS

Environment	Damp
Location	Indoor
Operating temp. (° C)	-20 to 40
IP rating	IP44
Input voltage (V)	100-135
Output voltage (V)	27
Output current (mA)	280
Power factor (%)	97
Driver type	Constant current
THD	≤ 30%
Certifications	ETL, FCC, ICES, IC, ASTM E283-04

ORDERING GUIDE

IND4-DW	-	_____	-	_____
		Voltage		Finish
		BLANK - 120v Triac dimming		WH - White

CONSTRUCTION

Lens material	Acrylic
Optic type	Reflector
Finish type	Matte
Housing material	Aluminum

WHAT'S IN THE BOX

LED recessed fixture
 Junction box
 3x Push-in wire connectors
 Mounting hardware
 Instruction sheet

ACCESSORIES

[RFP-UNI](#)
 Universal drilling plate
[RFP-46](#)
 Drilling plate

ADAPTORS

[REC-CC-EXT8FT](#)
 96" extension cord for recessed fixtures
[REC-CC-EXT20FT](#)
 240" extension cord for recessed fixtures

RECOMMENDED DIMMER LIST*

BRAND	MODEL	DIMMER SPECS	GRADE	MIN	MAX	MAX LOAD
Dals	SM-DIMSW Smart Dimmer*	Triac, 250W LED/CFL	Compatible	8	99	28
Lutron	CTCL-153PDH-WH-C*	Triac, 150 W Dimmable CFL/LED	Compatible	6	98	17
Lutron	STCL-153PH-WH-C*	Triac, 150 W Dimmable CFL/LED	Compatible	2	98	17
Lutron	DVELV-300P-WH	300W electronic low voltage dimmer	Compatible	8	96	33
Lutron	MA-PRO-WH*	ELV, 250W LED/CFL	Compatible	2	97	28
Lutron	Caseta PD-6WCL-WH-R-C*	Triac, 300W Dimmable CFL/LED	Compatible	0	96	17
Lutron	Caseta PD-5NE-WH-C*	ELV, LED—up to 250 W	Compatible	6	97	28
Lutron	Caseta PD-10NXD-WH*	Triac, LED—up to 250 W	Compatible	1	96	28
Leviton	DSM10-1LZ*	Triac, 450W Dimmable CFL/LED	Compatible	5	97	50
Leviton	6674*	Triac, 150 W Dimmable CFL/LED	Compatible	8	97	17
Leviton	PL06-10Z*	Triac, 150 W Dimmable CFL/LED	Compatible	7	97	17
Leviton	DSL06-1LZ*	Triac, 150 W Dimmable CFL/LED	Compatible	7	97	17
Legrand	ADTP703TUM4*	Triac, 450W Dimmable CFL/LED	Compatible	3	97	50
Legrand	RHL373PW*	Triac, 250W LED	Compatible	5	95	28
Control 4	C4-APD120-WH	ELV, 120W LED	Compatible	2	97	13
Control 4	C4-FPD120-WH	Triac, 200W LED	Compatible	1	97	22
TP-Link	HS220*	Triac, 150 W, Dimmable LED (MLV)	Compatible	5	98	17

*With Low-End Adjustment Feature

Minimal buzzing noise may occur with some dimmers

WARRANTY

DALS offers a 5-year warranty from the date of purchase which covers repairs or replacement of defective parts of the housing, optics, and electronics. To contact DALS customer service call 1-877-430-1818 or send an e-mail to info@dals.com.