

MODEL GMB4-CC

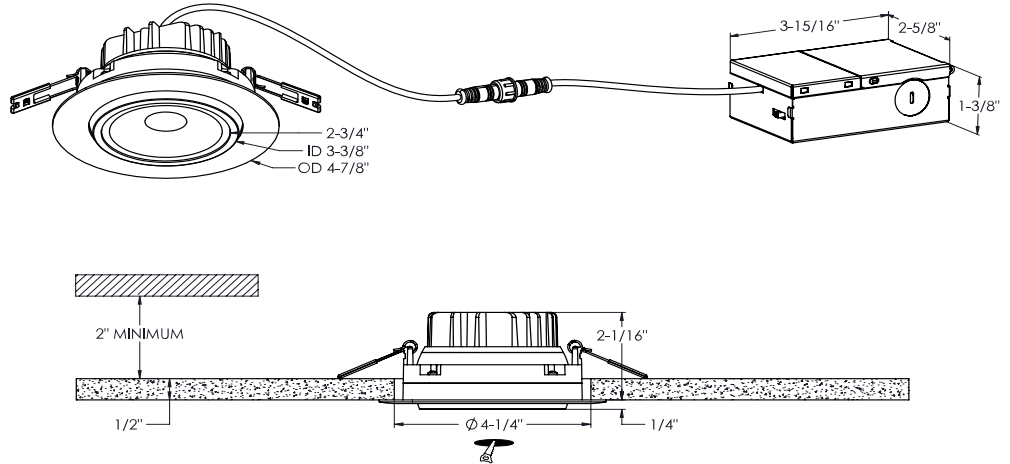
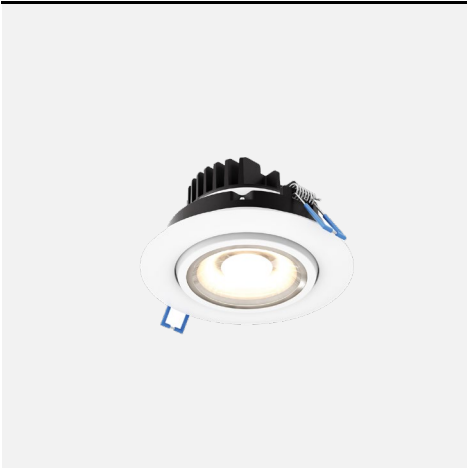
NAME Scope

4 Inch Round Recessed LED Gimbal Light
When searching for lighting flexibility, look no further than our 4" LED directional downlight. With a powerful lumen output and the ability to shine your light with a 360 degree rotation, this product will meet your every need

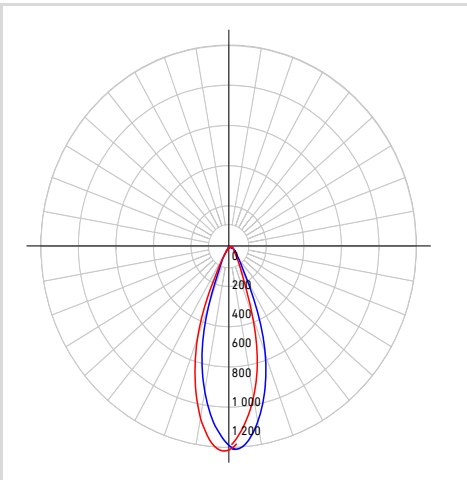
PROJECT _____ **TYPE** _____

DATE _____ **QTY** _____

NOTES



LIGHT DISTRIBUTION



QUICK SPECS

Size	4"
Watts (W)	11
Delivered lumens*	810
CRI	90
Voltage (v)	120
Beam angle (deg)	40
Cut hole size (in)	4-1/4"
Lifespan (hrs)	50000
FT rating	FT6
Binning	3 SDCM
LED model	COB
Color temperature	2700K/3000K/3500K/4000K/5000K

ELECTRICAL DETAILS

Environment	Wet
Location	Indoor/Outdoor
Operating temp. (° C)	-20 to 40
IP rating	IP44
Input voltage (V)	100-135v
Output voltage (V)	36
Output current (mA)	240mA
Power factor (%)	99
Driver type	Constant current
THD	<30%
Certifications	ETL, FCC, ICES, ES, IC, ASTM E283-04, T24/JA8

*Lumen output measured at 3000k

ORDERING GUIDE

GMB4-CC	-	_____	-	_____
		Voltage		Finish
		BLANK - 120v Triac dimming		WH - White
		V - 120-277-347V 0-10v dimming		BK - Black

CONSTRUCTION

Lens material	Acrylic
Optic type	Optical lens
Finish type	Matte
Housing material	Aluminum

WHAT'S IN THE BOX	ACCESSORIES	ADAPTORS
LED recessed fixture	RFP-UNI	REC-CC-EXT8FT
Junction box	Universal drilling plate	96" extension cord for recessed fixtures
3x Push-in wire connectors	RFP-46	REC-CC-EXT20FT
Mounting hardware	Drilling plate	240" extension cord for recessed fixtures
Instruction sheet		

RECOMMENDED DIMMER LIST*

BRAND	MODEL	DIMMER SPECS	GRADE	MIN	MAX	MAX LOAD
Lutron	DVCL-153PR-WH-C	Triac, 150 W Dimmable CFL/LED	Compatible	9	100	13
Lutron	CTCL-153PDH-WH-C	Triac, 150 W Dimmable CFL/LED	Compatible	8	100	13
Lutron	STCL-153PH-WH-C	Triac, 150 W Dimmable CFL/LED	Compatible	1	100	13
Lutron	DVWCL-153PH-WHC	Triac, 150 W Dimmable CFL/LED	Compatible	8	100	13
Lutron	MACL-153MRHW-WHC	Triac, 150 W Dimmable CFL/LED	Compatible	1	100	13
Lutron	DVELV-300P-WH	300W electronic low voltage dimmer	Compatible	9	100	27
Leviton†	6672-1LW	Triac, 150W Dimmable CFL/LED	Compatible	21	99	13
Lutron	MA-PRO-WH	ELV, 250W LED/CFL	Compatible	2	100	22
Leviton	DSM10	Triac, 450W Dimmable CFL/LED	Compatible	17	98	40
Legrand	RHCL453PNICCV4	Triac, 450W Dimmable CFL/LED	Compatible	11	99	40
Legrand	ADTP703TUM4	Triac,450W Dimmable CFL/LED	Compatible	3	100	40
Legrand	ADPD453LM2	Triac,450W Dimmable CFL/LED	Compatible	39	100	40
Leviton	6674	Triac, 150 W Dimmable CFL/LED	Compatible	11	99	13
Leviton	¶PL06-10Z	Triac, 150 W Dimmable CFL/LED	Compatible	18	99	13
Leviton	DSL06-752	Triac, 150 W Dimmable CFL/LED	Compatible	18	99	13
Lutron	Caseta PD-6WCL-WH-R-C	Triac, 300W Dimmable CFL/LED	Compatible	3	100	27
Lutron	Caseta PD-5NE-WH-C	ELV, LED—up to 250 W	Compatible	4	100	22
Lutron	Caseta PD-10NXD-WH	Triac, LED—up to 250 W	Compatible	1	100	22
Leviton	D26HD-742-1RW	Triac, 300W LED/CFL	Compatible	11	100	27
Dals	SM-DIMSW Smart Dimmer	Triac, 250W LED/CFL	Compatible	7	100	27
Control 4	C4-APD120-WH	ELV, 120W LED	Compatible	1	100	10
Control 4	C4-FPD120-WH	Triac, 200W LED	Compatible	1	100	18
Legrand	RHL373PW	Triac, 250W LED	Compatible	7	99	22

*With Low-End Adjustment Feature

Minimal buzzing noise may occur with some dimmers

WARRANTY

DALS offers a 5-year warranty from the date of purchase which covers repairs or replacement of defective parts of the housing, optics, and electronics. To contact DALS customer service call 1-877-430-1818 or send an e-mail to info@dals.com.