



# DALS LIGHTING

Canada  
80, de la Seigneurie blvd., E.  
Blainville, Quebec j7C 4N1

U.S.A.  
4383, NW 124th Ave.,  
Coral Springs, Florida 33065

877.430.1818  
info@dals.com  
dals.com

**MODEL** 5005-CC

**NAME** Excel

5" Square CCT Recessed Slim Panel

Our new LED Panel lights are more accessible than ever before. The sleek and minimal construction allows for the easiest of installations.

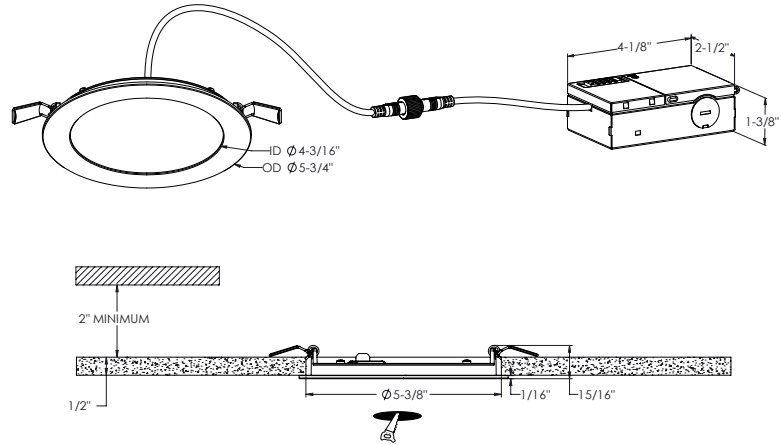
**PROJECT**

**TYPE**

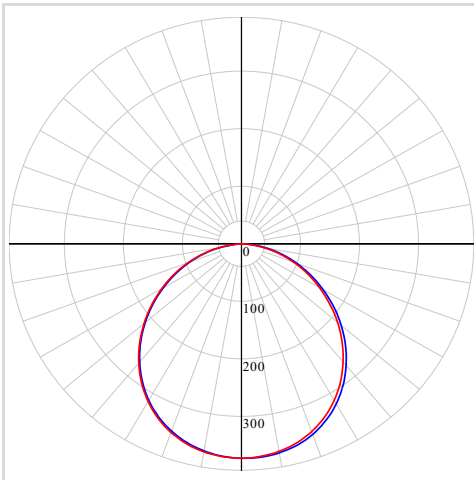
**DATE**

**QTY**

**NOTES**



## LIGHT DISTRIBUTION



\*Lumen output measured at 3000k

## QUICK SPECS

<b>Size</b>	5"	<b>Environment</b>	Wet
<b>Watts (W)</b>	12	<b>Location</b>	Indoor/Outdoor
<b>Delivered lumens*</b>	900	<b>Operating temp. (° C)</b>	-20 to 40
<b>CRI</b>	90	<b>IP rating</b>	IP44
<b>Voltage (v)</b>	120	<b>Input voltage (V)</b>	108-132
<b>Beam angle (deg)</b>	110	<b>Output voltage (V)</b>	35-41
<b>Cut hole size (in)</b>	5-3/8"	<b>Output current (mA)</b>	270
<b>Lifespan (hrs)</b>	50000	<b>Power factor</b>	90
<b>FT rating</b>	FT6	<b>Driver type</b>	Constant current
<b>Binning</b>	4 SDCM	<b>THD</b>	< 20%
<b>LED model</b>	SMD 2835	<b>Certifications</b>	ETL, FCC, ICES, ES, T24/JA8
<b>Color temperature</b>	2700K/3000K/3500K/4000K/5000K		IC, ASTM E283-04

## ORDERING GUIDE

5005-CC	-	<input type="text"/>	-	<input type="text"/>
		<i>Voltage</i>		<i>Finish</i>
		<b>BLANK</b> - 120v Triac dimming		<b>WH</b> - White <input type="radio"/>
		<b>V</b> - 120-277-347V 0-10v dimming		

## CONSTRUCTION

<b>Lens material</b>	Plastic
<b>Optic type</b>	Frosted lens
<b>Finish type</b>	Matte
<b>Housing material</b>	Aluminum

**WHAT'S IN THE BOX**

LED recessed fixture  
 Junction box  
 3x Push-in wire connectors  
 Mounting hardware  
 Instruction sheet

**ACCESSORIES**

[RFP-58](#)  
 Drilling plate  
  
[RFP-UNI](#)  
 Universal drilling plate

**ADAPTORS**

[5000-EXT8FT](#)  
 96" extension cord for recessed fixtures  
  
[5000-EXT20FT](#)  
 240" extension cord for recessed fixtures

**RECOMMENDED DIMMER LIST\***

BRAND	MODEL	DIMMER SPECS	GRADE	MIN	MAX	MAX LOAD
Dals	SM-DIMSW Smart Dimmer*	Triac, 250W LED/CFL	Compatible	9	100	21
Lutron	MACL-153MRHW-WHC*	Triac, 150 W Dimmable CFL/LED	Compatible	11	99	13
Lutron	DVELV-300P-WH	300W electronic low voltage dimmer	Compatible	7	92	25
Lutron	MA-PRO-WH*	ELV, 250W LED/CFL	Compatible	4	100	21
Lutron	Caseta PD-6WCL-WH-R-C*	Triac, 300W Dimmable CFL/LED	Compatible	10	98	25
Lutron	Caseta PD-10NXD-WH*	Triac, LED—up to 250 W	Compatible	7	99	21
Leviton	6674*	Triac, 150 W Dimmable CFL/LED	Compatible	11	100	13
Leviton	#PL06-10Z*	Triac, 150 W Dimmable CFL/LED	Compatible	10	100	13
Leviton	DSL06-1LZ*	Triac, 150 W Dimmable CFL/LED	Compatible	11	100	13
Legrand	ADTP703TUM4*	Triac, 450W Dimmable CFL/LED	Compatible	24	89	38
Control 4	C4-APD120-WH	ELV, 120W LED	Compatible	4	100	10
Control 4	C4-FPD120-WH	Triac, 200W LED	Compatible	5	100	17
TP-Link	HS220*	Triac, 150 W, Dimmable LED (MLV)	Compatible	9	100	13

\*With Low-End Adjustment Feature

*Minimal buzzing noise may occur with some dimmers*

**WARRANTY**

DALS offers a 5-year warranty from the date of purchase which covers repairs or replacement of defective parts of the housing, optics, and electronics. To contact DALS customer service call 1-877-430-1818 or send an e-mail to [info@dals.com](mailto:info@dals.com).