

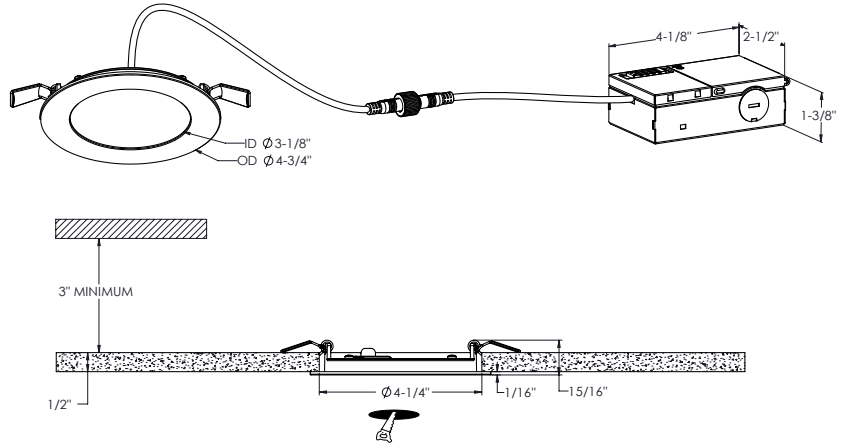
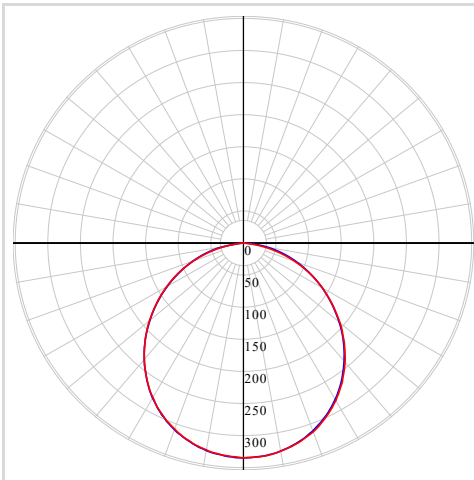
MODEL 5004-CC

NAME Excel

4" Round CCT Recessed Slim Panel

Our new LED Panel lights are more accessible than ever before. The sleek and minimal construction allows for the easiest of installations.


PROJECT
TYPE
DATE
QTY
NOTES


LIGHT DISTRIBUTION


*Lumen output measured at 3000k

QUICK SPECS

Size	4"
Watts (W)	11
Delivered lumens*	800
CRI	90
Voltage (v)	120
Beam angle (deg)	110
Cut hole size (in)	4-1/4"
Lifespan (hrs)	50000
FT rating	FT6
Binning	4 SDCM
LED model	SMD 2835
Color temperature	2700K/3000K/3500K/4000K/5000K

ELECTRICAL DETAILS

Environment	Wet
Location	Indoor/Outdoor
Operating temp. (° C)	-20 to 40
IP rating	IP44
Input voltage (V)	108-132
Output voltage (V)	29-35
Output current (mA)	300
Power factor	90
Driver type	Constant current
THD	<20%
Certifications	ETL, FCC, ICES, ES, JA8
	IC, ASTM E283-04

ORDERING GUIDE

5004-CC	-	<input type="text"/>	-	<input type="text"/>
		Voltage		Finish
		BLANK - 120v Triac dimming		WH - White <input type="radio"/>
		V - 120-277-347V 0-10v dimming		BK - Black <input type="radio"/>
				SN - Satin nickel <input type="radio"/>

CONSTRUCTION

Lens material	Plastic
Optic type	Frosted lens
Finish type	Matte
Housing material	Aluminum

WHAT'S IN THE BOX	ACCESSORIES	ADAPTORS
LED recessed fixture	RPF-46	5000-EXT8FT
Junction box	Drilling plate	96" extension cord for recessed fixtures
3x Push-in wire connectors		
Mounting hardware	RPF-UNI	5000-EXT20FT
Instruction sheet	Universal drilling plate	240" extension cord for recessed fixtures

RECOMMENDED DIMMER LIST*

BRAND	MODEL	DIMMER SPECS	GRADE	MIN	MAX	MAX LOAD
Dals	SM-DIMSW Smart Dimmer*	Triac, 250W LED/CFL	Compatible	5	100	22
Lutron	DVCL-153PR-WH-C*	Triac, 150 W Dimmable CFL/LED	Compatible	6	100	13
Lutron	CTCL-153PDH-WH-C*	Triac, 150 W Dimmable CFL/LED	Compatible	9	100	13
Lutron	STCL-153PH-WH-C*	Triac, 150 W Dimmable CFL/LED	Compatible	6	100	13
Lutron	MACL-153MRHW-WHC*	Triac, 150 W Dimmable CFL/LED	Compatible	7	100	13
Lutron	DVELV-300P-WH	300W electronic low voltage dimmer	Compatible	8	100	26
Lutron	MA-PRO-WH*	ELV, 250W LED/CFL	Compatible	2	94	22
Lutron	Caseta PD-6WCL-WH-R-C*	Triac, 300W Dimmable CFL/LED	Compatible	2	100	26
Lutron	Caseta PD-5NE-WH-C*	ELV, LED—up to 250 W	Compatible	3	100	22
Lutron	Caseta PD-10NXD-WH*	Triac, LED—up to 250 W	Compatible	2	100	22
Leviton	DSM10-1LZ*	Triac, 450W Dimmable CFL/LED	Compatible	10	100	39
Leviton	6674*	Triac, 150 W Dimmable CFL/LED	Compatible	9	100	13
Leviton	PL06-10Z*	Triac, 150 W Dimmable CFL/LED	Compatible	8	100	13
Leviton	DSL06-1LZ*	Triac, 150 W Dimmable CFL/LED	Compatible	7	100	13
Leviton	D26HD-742-1RW*	Triac, 300W LED/CFL	Compatible	9	100	26
Legrand	ADTP703TUM4*	Triac, 450W Dimmable CFL/LED	Compatible	3	100	39
Control 4	C4-APD120-WH	ELV, 120W LED	Compatible	1	100	10
Commercial Electric	HPDA311CWB*	Triac, 150W LED & CFL	Compatible	0	100	13
TP-Link	HS220*	Triac, 150 W, Dimmable LED (MLV)	Compatible	5	100	13

*With Low-End Adjustment Feature

Minimal buzzing noise may occur with some dimmers

WARRANTY

DALS offers a 5-year warranty from the date of purchase which covers repairs or replacement of defective parts of the housing, optics, and electronics. To contact DALS customer service call 1-877-430-1818 or send an e-mail to info@dals.com.