



DALS LIGHTING

Canada
80, de la Seigneurie blvd., E.
Blainville, Quebec J7C 4N1

U.S.A.
4383, NW 124th Ave.,
Coral Springs, Florida 33065

877.430.1818
info@dals.com
dals.com

MODEL 5004-DW

NAME Excel

4" Round Panel Light With Dim-To-Warm

Our new LED Panel lights are more accessible than ever before. The sleek and minimal construction allows for the easiest of installations.

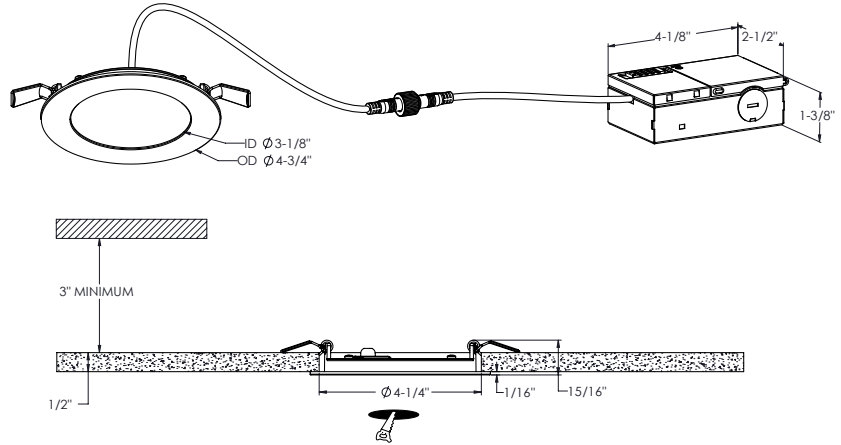
PROJECT

TYPE

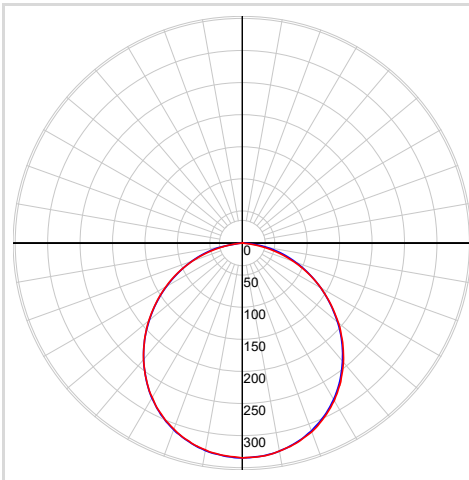
DATE

QTY

NOTES



LIGHT DISTRIBUTION



*Lumen output measured at 3000k

QUICK SPECS

| | |
|---------------------------|---------------|
| Size | 4" |
| Watts (W) | 11 |
| Delivered lumens* | 850 |
| CRI | 80 |
| Voltage (v) | 120 |
| Beam angle (deg) | 110 |
| Cut hole size (in) | 4-1/4" |
| Lifespan (hrs) | 35 000 |
| FT rating | FT4 |
| Binning | 3 SDCM |
| LED model | SMD 2835 |
| Color temperature | 2200K - 3000K |

ELECTRICAL DETAILS

| | |
|------------------------------|--|
| Environment | Wet |
| Location | Indoor/Outdoor |
| Operating temp. (° C) | -20 to 40 |
| IP rating | 0 |
| Input voltage (V) | 108-132 |
| Output voltage (V) | 30-46 |
| Output current (mA) | 250 |
| Power factor | 96 |
| Driver type | Constant current |
| THD | ≤ 30% |
| Certifications | ETL, FCC, ICES, ES, IC, ASTM E283-04 JA8/T24 |

ORDERING GUIDE

| | | | | |
|---------|---|--|---|-------------------|
| 5004-DW | - | | - | |
| | | <i>Voltage</i> | | <i>Finish</i> |
| | | BLANK - 120v Triac dimming | | WH - White |
| | | V - 120-277-347V 0-10v dimming | | |

CONSTRUCTION

| | |
|-------------------------|--------------|
| Lens material | Plastic |
| Optic type | Frosted lens |
| Finish type | Matte |
| Housing material | Aluminium |

| WHAT'S IN THE BOX | ACCESSORIES | ADAPTORS |
|--|---|--|
| <ul style="list-style-type: none"> LED recessed fixture Junction box 3x Push-in wire connectors Mounting hardware Instruction sheet | <ul style="list-style-type: none"> RFP-46 Drilling plate RFP-UNI Universal drilling plate | <ul style="list-style-type: none"> 5000-EXT8FT 96" extension cord for recessed fixtures 5000-EXT20FT 240" extension cord for recessed fixtures |

RECOMMENDED DIMMER LIST*

| BRAND | MODEL | DIMMER SPECS | GRADE | MIN | MAX | MAX LOAD |
|-----------|------------------------|------------------------------------|------------|-----|-----|----------|
| Dals | SM-DIMSW Smart Dimmer* | Triac, 250W LED/CFL | Compatible | 9 | 98 | 23 |
| Lutron | MACL-153MRHW-WHC* | Triac, 150 W Dimmable CFL/LED | Compatible | 1 | 97 | 14 |
| Lutron | DVELV-300P-WH | 300W electronic low voltage dimmer | Compatible | 8 | 98 | 28 |
| Lutron | MA-PRO-WH* | ELV, 250W LED/CFL | Compatible | 2 | 98 | 23 |
| Lutron | Caseta PD-5NE-WH-C* | ELV, LED—up to 250 W | Compatible | 5 | 98 | 23 |
| Lutron | Caseta PD-10NXD-WH* | Triac, LED—up to 250 W | Compatible | 1 | 97 | 23 |
| Leviton | DSM10-1LZ* | Triac, 450W Dimmable CFL/LED | Compatible | 4 | 97 | 42 |
| Leviton | 6674* | Triac, 150 W Dimmable CFL/LED | Compatible | 9 | 97 | 14 |
| Leviton | DSL06-1LZ* | Triac, 150 W Dimmable CFL/LED | Compatible | 8 | 97 | 14 |
| Leviton | D26HD-742-1RW* | Triac, 300W LED/CFL | Compatible | 10 | 97 | 28 |
| Legrand | RHCL453PNICCV4* | Triac, 450W Dimmable CFL/LED | Compatible | 9 | 97 | 42 |
| Legrand | ADTP703TUM4* | Triac, 450W Dimmable CFL/LED | Compatible | 10 | 98 | 42 |
| Legrand | RHL373PW* | Triac, 250W LED | Compatible | 5 | 96 | 23 |
| Control 4 | C4-APD120-WH | ELV, 120W LED | Compatible | 0 | 97 | 11 |
| Control 4 | C4-FPD120-WH | Triac, 200W LED | Compatible | 0 | 97 | 19 |
| TP-Link | HS220* | Triac, 150 W, Dimmable LED (MLV) | Compatible | 5 | 97 | 14 |

*With Low-End Adjustment Feature

Minimal buzzing noise may occur with some dimmers

WARRANTY

DALS offers a 5-year warranty from the date of purchase which covers repairs or replacement of defective parts of the housing, optics, and electronics. To contact DALS customer service call 1-877-430-1818 or send an e-mail to info@dals.com.