



DALS LIGHTING

Canada
80, de la Seigneurie blvd., E.
Blainville, Quebec j7c 4n1

U.S.A.
4383, NW 124th Ave.,
Coral Springs, Florida 33065

877.430.1818
info@dals.com
dals.com

MODEL 2006

NAME Access

6" Round Panel Light

Our new LED Panel lights are more accessible than ever before. The sleek and minimal construction allows for the easiest of installations.



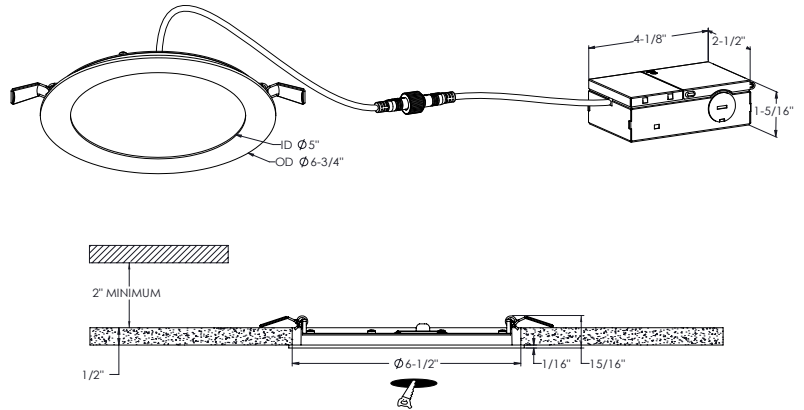
PROJECT

TYPE

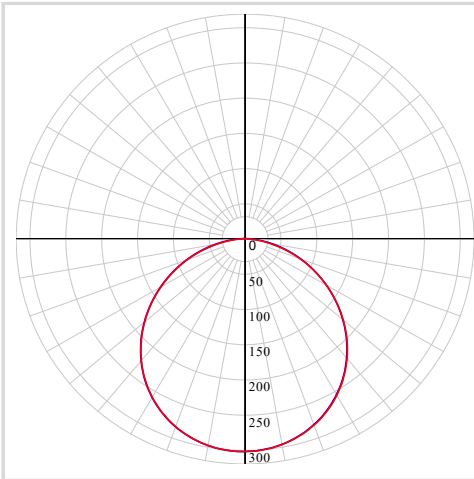
DATE

QTY

NOTES



LIGHT DISTRIBUTION



*Lumen output measured at 3000k

QUICK SPECS

Size	6"
Watts (W)	11
Delivered lumens*	800
CRI	80
Voltage (v)	120
Beam angle (deg)	110°
Cut hole size (in)	6-1/2"
Lifespan (hrs)	35,000hrs
FT rating	FT1
Binning	7 SDCM
LED model	SMD 2835
Color temperature	3000k

ELECTRICAL DETAILS

Environment	Damp
Location	Indoor
Operating temp. (° C)	-20 to 40
IP rating	IP44
Input voltage (V)	120
Output voltage (V)	33-37
Output current (mA)	280
Power factor	70
Driver type	Constant current
THD	< 20%
Certifications	ETL, FCC, ICES, ES, JA8
	IC, ASTM E283-04

ORDERING GUIDE

2006 - Voltage - Finish

BLANK - 120v
Triac dimming

V - 120-277-347V
0-10v dimming

WH - White ○

CONSTRUCTION

Lens material	Plastic
Optic type	Frosted lens
Finish type	Matte
Housing material	Aluminum

WHAT'S IN THE BOX	ACCESSORIES	ADAPTORS
LED recessed fixture	RPF-UNI	2000-EXT8FT
Junction box	Universal drilling plate	96" extension cord for recessed fixtures
3x Push-in wire connectors		
Mounting hardware	RPF-46	2000-EXT20FT
Instruction sheet	Drilling plate	240" extension cord for recessed fixtures

RECOMMENDED DIMMER LIST*

BRAND	MODEL	DIMMER SPECS	GRADE	MIN	MAX	MAX LOAD
Dals	SM-DIMSW Smart Dimmer*	Triac, 250W LED/CFL	Compatible	5	100	23
Lutron	DVCL-153PR-WH-C*	Triac, 150 W Dimmable CFL/LED	Compatible	7	100	14
Lutron	CTCL-153PDH-WH-C*	Triac, 150 W Dimmable CFL/LED	Compatible	10	100	14
Lutron	STCL-153PH-WH-C*	Triac, 150 W Dimmable CFL/LED	Compatible	2	100	14
Lutron	DVWCL-153PH-WHC*	Triac, 150 W Dimmable CFL/LED	Compatible	7	100	14
Lutron	MACL-153MRHW-WHC*	Triac, 150 W Dimmable CFL/LED	Compatible	4	100	14
Lutron	DVELV-300P-WH	300W electronic low voltage dimmer	Compatible	9	94	27
Lutron	MA-PRO-WH*	ELV, 250W LED/CFL	Compatible	1	100	23
Lutron	Caseta PD-6WCL-WH-R-C*	Triac, 300W Dimmable CFL/LED	Compatible	3	100	27
Lutron	Caseta PD-5NE-WH-C*	ELV, LED—up to 250 W	Compatible	5	100	23
Lutron	Caseta PD-10NXD-WH*	Triac, LED—up to 250 W	Compatible	0	100	23
Leviton	DSM10-1LZ*	Triac, 450W Dimmable CFL/LED	Compatible	10	100	41
Leviton	6674*	Triac, 150 W Dimmable CFL/LED	Compatible	10	100	14
Leviton	IPL06-10Z*	Triac, 150 W Dimmable CFL/LED	Compatible	9	100	14
Leviton	DSL06-1LZ*	Triac, 150 W Dimmable CFL/LED	Compatible	8	100	14
Leviton	D26HD-742-1RW*	Triac, 300W LED/CFL	Compatible	10	100	27
Legrand	RHCL453PNICCV4*	Triac, 450W Dimmable CFL/LED	Compatible	11	100	41
Control 4	C4-APD120-WH	ELV, 120W LED	Compatible	0	100	11
Control 4	C4-FPD120-WH	Triac, 200W LED	Compatible	9	100	18
tp-link	HS220*	Triac, 150 W, Dimmable LED (MLV)	Compatible	3	100	14

*With Low-End Adjustment Feature

Minimal buzzing noise may occur with some dimmers

WARRANTY

DALS offers a 5-year warranty from the date of purchase which covers repairs or replacement of defective parts of the housing, optics, and electronics. To contact DALS customer service call 1-877-430-1818 or send an e-mail to info@dals.com.