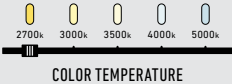


NEW

# APERTURE

Ideal for residential spaces, art galleries, or boutiques, our multi-function downlight offers versatile performance. It transitions seamlessly between recessed and spotlight modes, allows beam angle adjustments, tilts 90 degrees, and features multi-wattage settings to adapt to various lighting needs.



**W**  
MULTI-WATTAGE

AIR TIGHT

**IC**  
RATED

**T24  
JA8**  
CERTIFIED

Intertek

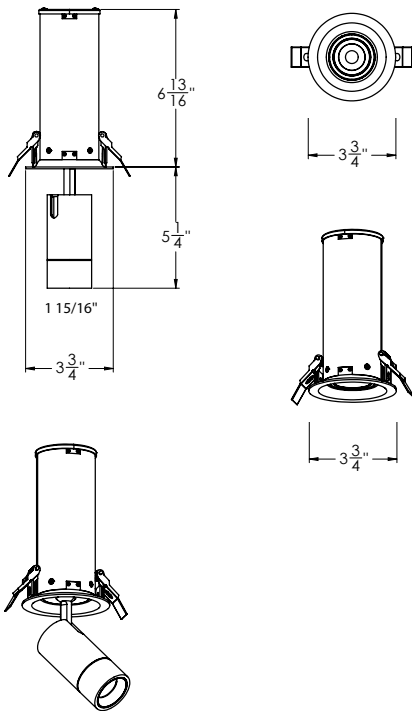
ENERGY STAR



Model	Size	Watts	Delivered lumens	CRI	Color °T	Voltage options ⚡
MFD03-MW-CC	3"	8, 10, 12 W	600, 800, 1000 lm	90	2700, 3000, 3500, 4000, 5000 K	<b>120 V TRIAC dimming</b>  or  <b>V: 120 / 277 / 347V 0-10V dimming</b> (Check for availability)

MFD03-CC

Ø3-3/8" 



### Specifications

Every fixture includes a junction box with integrated dimmable driver  
Switch-selectable CCT  
Multi-watt output allows you to choose from three wattage settings for customizable brightness directly on the jbox  
Can be daisy chained  
90° tilting, 360° rotation  
Adjustable beam angle from 30° to 60°  
5-year warranty

### Finish

- **BK** Black
- **WH** White

### Accessories

- RFP-23I**  
Rough-in plate
- RFP-UNI**  
Universal rough-in plate
- REC-CC-EXT8FT**  
8-foot extension cable
- REC-CC-EXT20FT**  
20-foot extension cable

### Multi-voltage (V) ⚡

This product family offers multi-voltage drivers (120/277/347) that are dimmable using 0-10V dimming systems. Please note that longer lead times may apply for this option. Kindly reach out to your DALI representative for additional information and to confirm availability.

### Note

Other color temperatures, finishes, and voltage options are available but may require minimum order quantities (MOQs) and longer lead times. Please contact your DALI representative for more information.