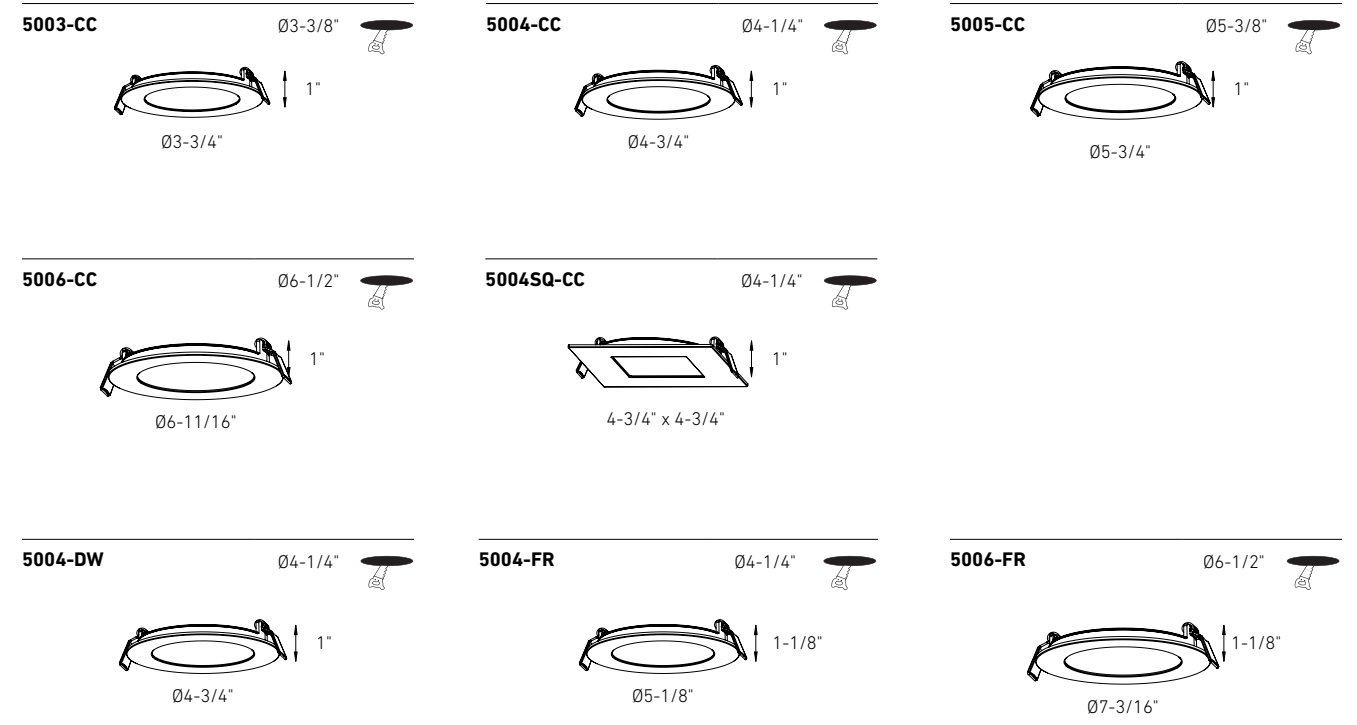


EXCEL

LED panel lights are more accessible than ever before. The sleek and minimal construction allows for the easiest of installations.



- WET
- WARM DIMMING¹
- FIRE RATED²
- AIR TIGHT
- IC RATED
- T24 JA8 CERTIFIED
- Intertek



Model	Size	Watts	Delivered lumens	CRI	Color °T	Voltage options ⚡
5003-CC	3"	8 W	600 lm	90	2700, 3000, 3500, 4000, 5000 K	120V TRIAC dimming
5004-CC	4"	11 W	800 lm			or
5005-CC	5"	12 W	900 lm			
5006-CC	6"	14 W	1100 lm			V: 120 / 277 / 347V 0-10V dimming (Check for availability)
5004SQ-CC	4"	11 W	800 lm			
5004-FR-CC*	4"	11 W	825 lm	80		
5006-FR-CC*	6"	14 W	1230 lm	80		
5004-DW**	4"	11 W	850 lm	80	3000 K - 2200 K	120V

¹Model 5004-DW only

²Models 5004-FR-CC, 5006-FR-CC only

*2-hour fire-rated without additional housing or hardware, in accordance with UL 263, ASTM E119, and CAN ULC S101

**Dim-to-warm technology dims from 3000 K to 2200 K, Not available in multi-voltage

Specifications

Every fixture includes a junction box with an integrated driver
 Can be daisy chained
 Smooth 360° wide spread
 Frosted lens
 Edge lit technology
 Aluminum construction
 Switch-selectable CCT
 Very low profile
 5-year warranty

Finish

- BK** Black (3", 4", and 6" models only)
- SN** Satin Nickel (5004, 5004-DW only)
- WH** White

Multi-voltage (V) ⚡

This product family offers multi-voltage drivers (120/277/347) that are dimmable using 0-10V dimming systems. Please note that longer lead times may apply for this option. Kindly reach out to your DALs representative for additional information and to confirm availability.

Note

Other color temperatures, finishes, and voltage options are available but may require minimum order quantities (MOQs) and longer lead times. Please contact your DALs representative for more information.

Accessories

- REC-TRIM4-BK/GD/SN** (5004)
4" recessed panel trim in black, gold, or satin nickel
- REC-PT4-GD** (5004-DW)
4" recessed panel trim in gold or satin nickel
- REC-TRIM6-BK/GD/SN** (5006)
6" recessed panel trim in black, gold, or satin nickel
- 5000-EXT8FT**
8-foot extension cable
- 5000-EXT20FT**
20-foot extension cable
- RFP-23** (5003)
Rough-in plate
- RFP-46** (5004, 5006)
Rough-in plate
- RFP-58** (5005)
Rough-in plate
- RFP-UNI** (5003, 5004, 5006)
Universal rough-in plate